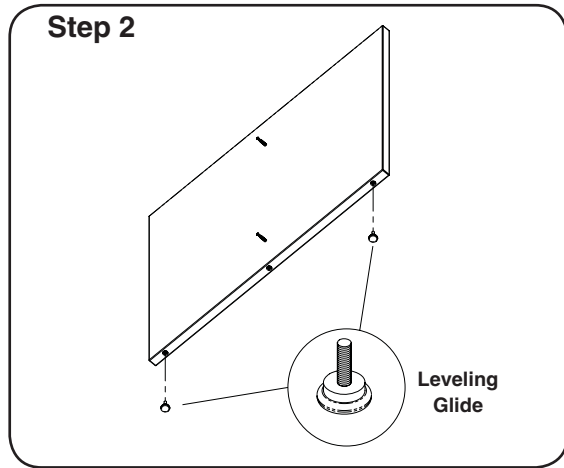
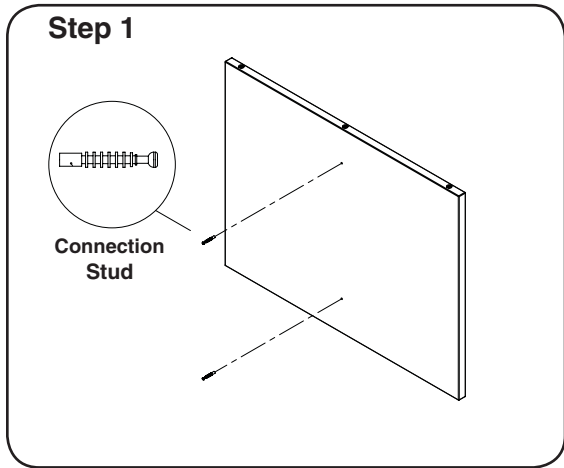
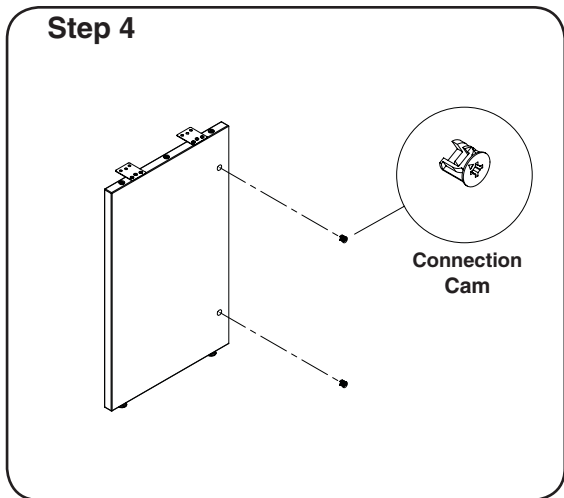
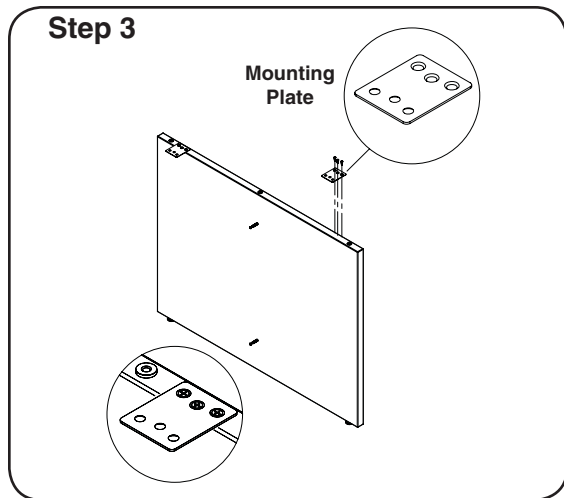


Full Laminate Support Panels



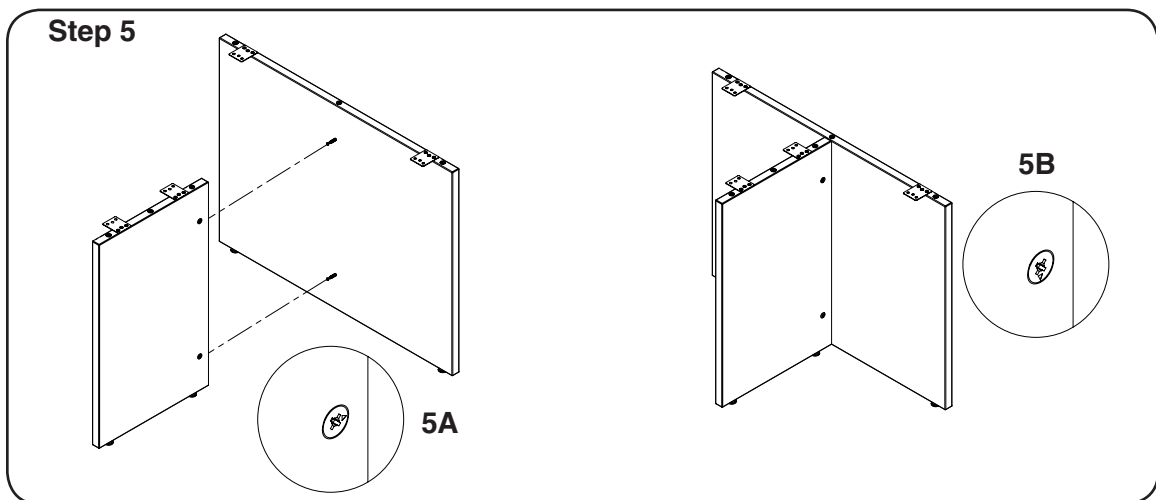
Step 1 - Insert Connection Studs into predrilled holes in Male FLSP Faces.

Step 2 - Insert Leveling Glides into Glide Housings. Note: FLSP is reversible by turning upside-down. Glide placement determines which "handed" version built. 60 inch wide and above get 3 glides.



Step 3 - Attach Mounting Plates to FLSP Top with flathead worksurface screws. Note: Mounting Bracket is **countersunk**.

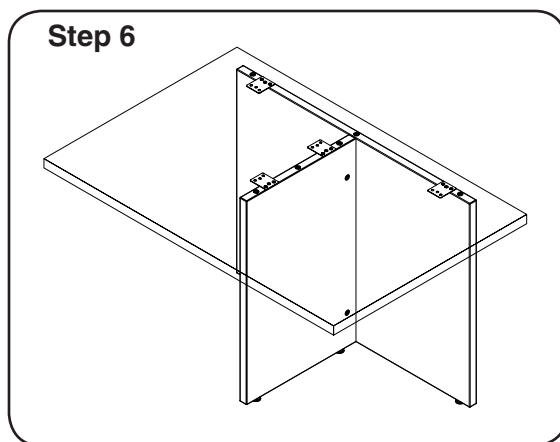
Step 4 - Insert Connection Cams into Cam holes on female FLSPs. Rotate arrow on Cam towards edge.



Step 5 - Insert Male Connection Pins into Female Cam holes until FLSPs are touching.

5A - When joining FLSPs rotate Cam arrow to point towards Connection Stud.

5B - With FLSPs flush, rotate Cam clockwise to tighten.



Step 6 - Using flathead worksurface screws supplied, screw Mounting Plates to worksurfaces.