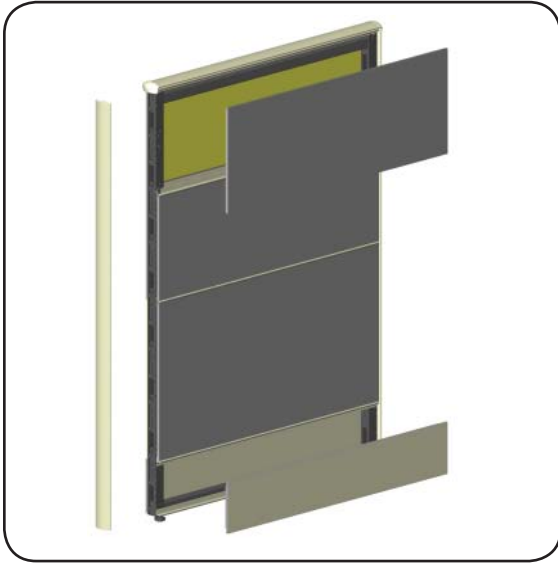


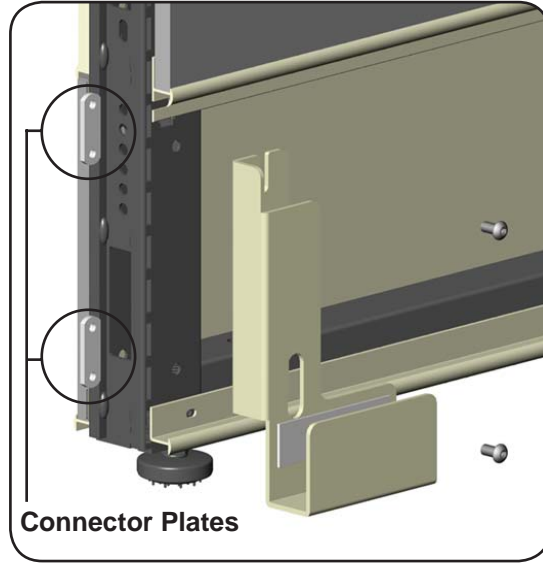
Sliding Door (Non-Locking)

ais
Matrix™

Step 1



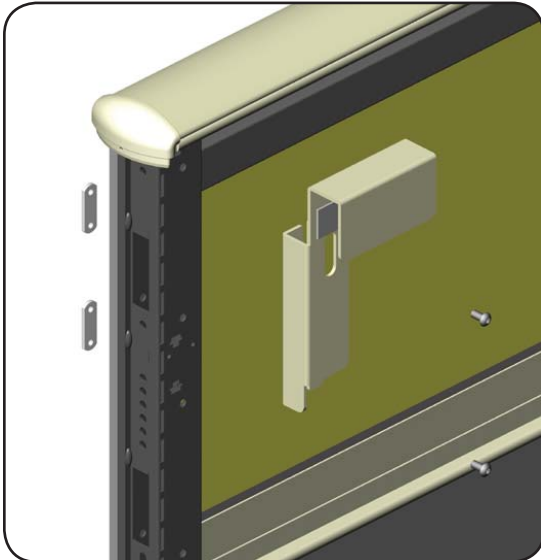
Step 2



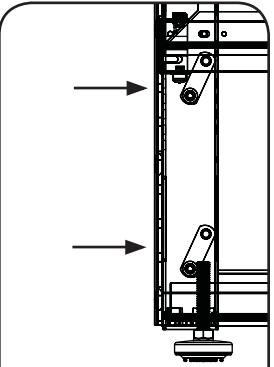
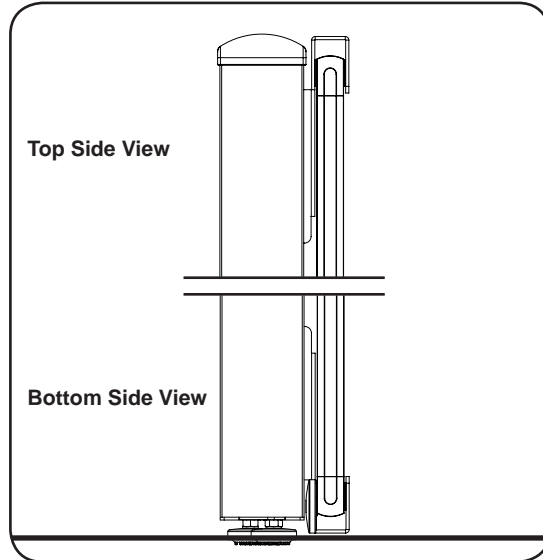
Step 1 - Remove end cap, top tile, and bottom tile. (Optional) Remove topcap for easier installation of top bracket.

Step 2 - Attach bottom bracket to Matrix frame using (2) 1/4 - 20 button head screws with (2) connector threaded plates. Place connector threaded plates inside of the Matrix frame from the side. Do not fully tighten screws to allow for bracket adjustment during final steps of installation.

Step 3



Step 4

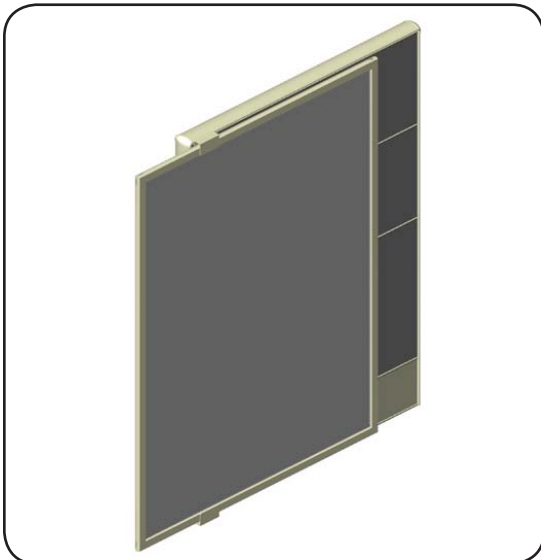


Tip - Hold connector threaded plate inside Matrix vertical, align with hole, and tighten. Inner frame wall will prevent plate from spinning.

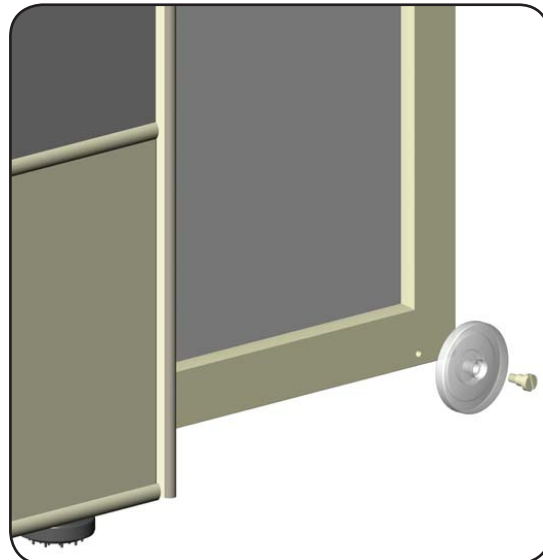
Step 3 - Follow the same procedure as Step 2 in attaching top bracket. (Optional) Remove topcap for easier installation of top bracket. Do not fully tighten screws to allow for bracket adjustment during final steps of installation.

Note - Top and Bottom bracket are a mirror image of each other and may be reversed for mounting on opposite side of panel

Step 5



Step 6



Step 4 - Remove front wheel from sliding door. Bring door parallel to the panel and check space between top and bottom brackets. Adjust brackets to desired fit, remove door, and tighten screws on both brackets. Now you can install removed tiles, endcap, and (optional) topcap.

Step 5 - Place door between brackets and slide from back to front.

Step 6 - Re-attach front wheel from inside view of door.