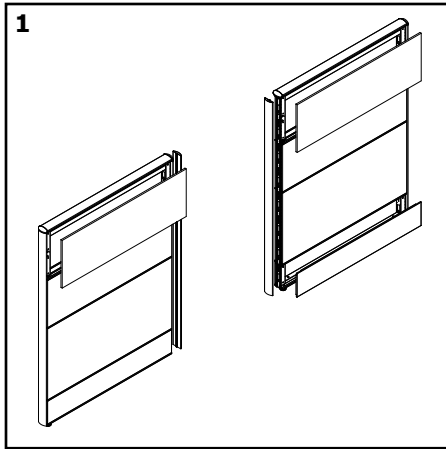
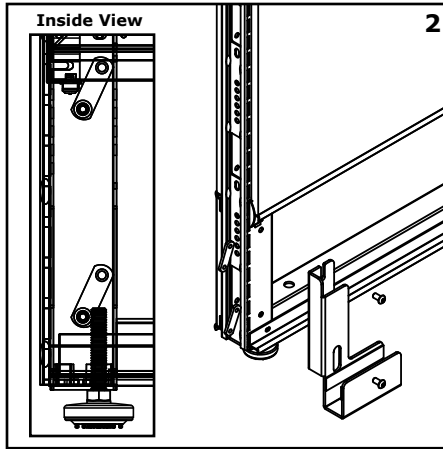


Sliding Door Top Track Bar (Straight Situation)

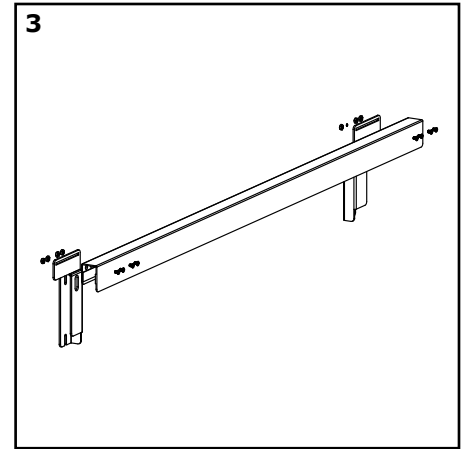
Step 1 - Remove end cap from both frames. For easier installation of the top track bar you may also remove the top and bottom tiles (optional).



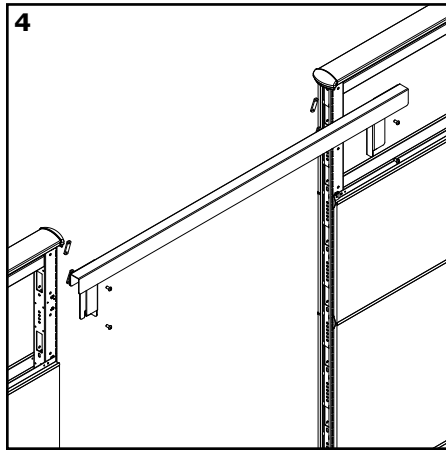
Step 2 - Using (2) 1/4-20 button head screws and (2) connector threaded plates, attach bottom bracket to frame. From the side place threaded plates inside of the frame. **Note:** Do not fully tighten screws for bracket adjustment is needed during final steps of installation.



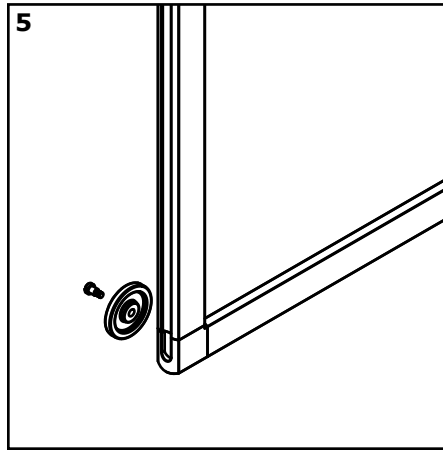
Step 3 - Using (4) #10-32 flat head screws and (4) #10-32 hex nuts, attach brackets to top bar. Be sure to mount the brackets flush to the end of the track bar assembly.



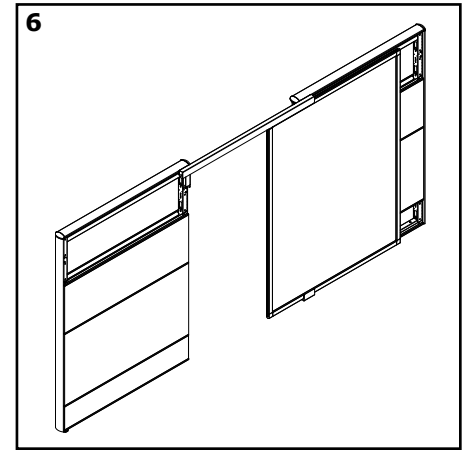
Step 4 - Using (4) 1/4-20 button head screws and (4) connector threaded plates, attach top track bar assembly. From the side place threaded plates inside of the frame. **Note:** Do not fully tighten screws for top bar assembly adjustment is needed during final steps of installation.



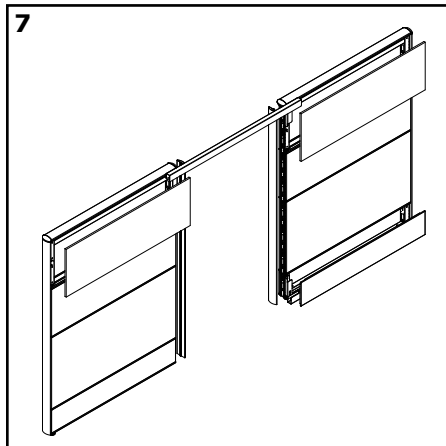
Step 5 - Remove front wheel from the sliding door.



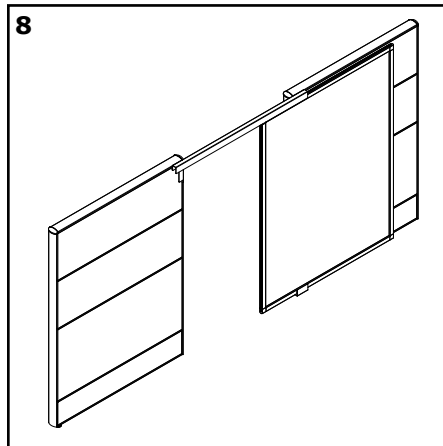
Step 6 - Bring door parallel the frame and check the space between the bottom bracket and top track bar. Adjust bracket and top bar to desired fit. Remove door and tighten all screws.



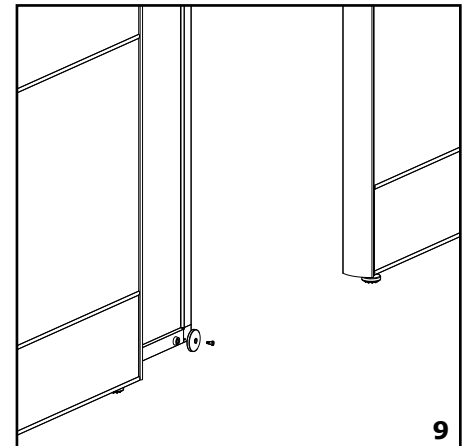
Step 7 - Re-install endcaps and tiles.



Step 8 - Place door between bottom bracket and top track bar and slide from back to front.

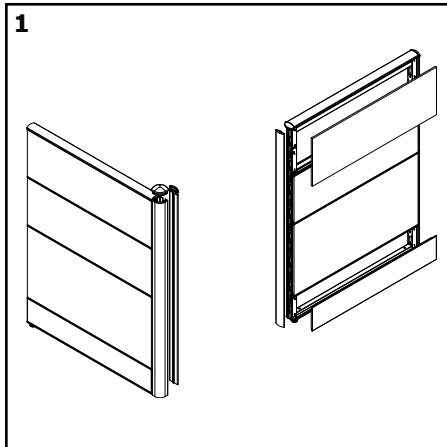


Step 9 - Re-attach front wheel from inside view of door.

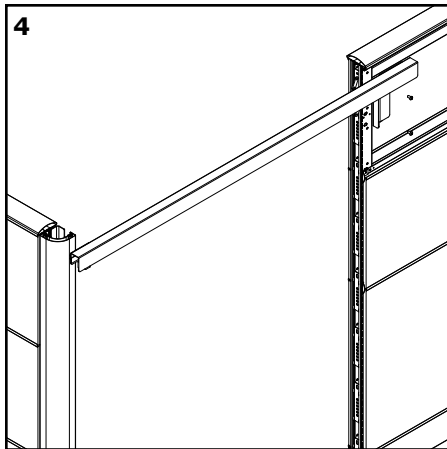


Sliding Door Top Track Bar (End of Run Situation)

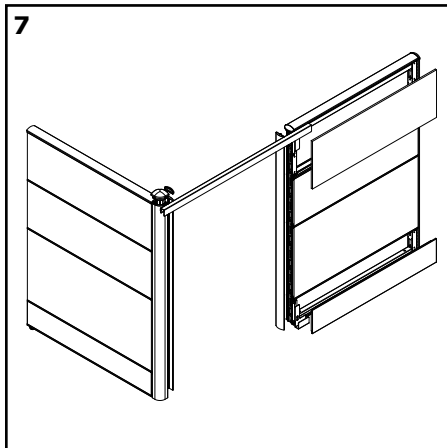
Step 1 - Remove end cap from both frames. For easier installation of the top track bar you may also remove the connector topcap and the top and bottom tiles (optional).



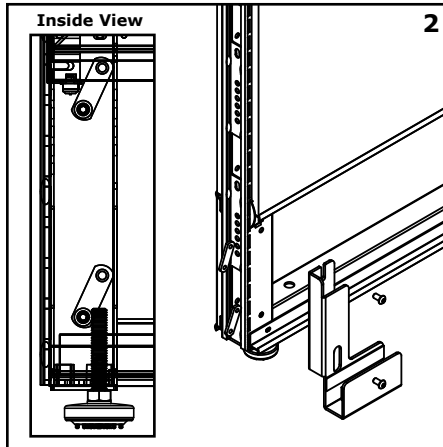
Step 4 - Using (2) 1/4-20 button head screws and (2) connector threaded plates, attach top track bar assembly. From the side place threaded plates inside of the frame. **Note:** Do not fully tighten screws for top bar assembly adjustment is needed during final steps of installation.



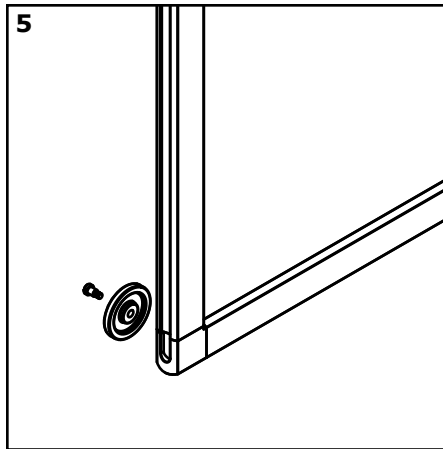
Step 7 - Re-install endcaps and tiles.



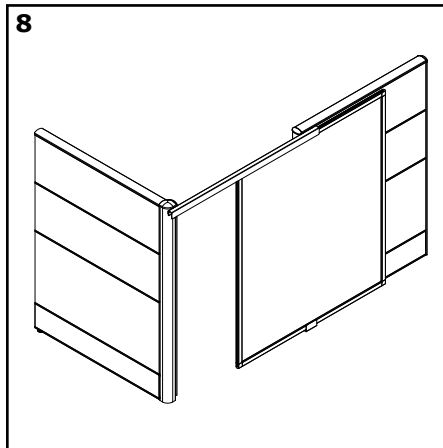
Step 2 - Using (2) 1/4-20 button head screws and (2) connector threaded plates, attach bottom bracket to frame. From the side place threaded plates inside of the frame. **Note:** Do not fully tighten screws for bracket adjustment is needed during final steps of installation.



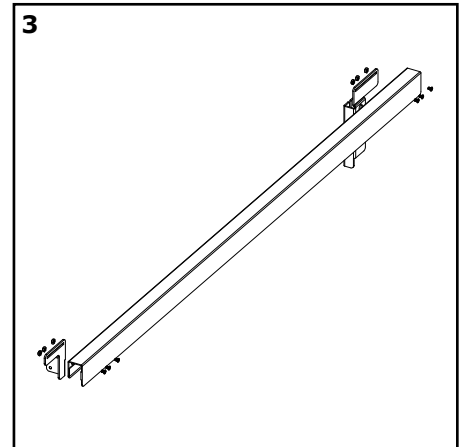
Step 5 - Remove front wheel from the sliding door.



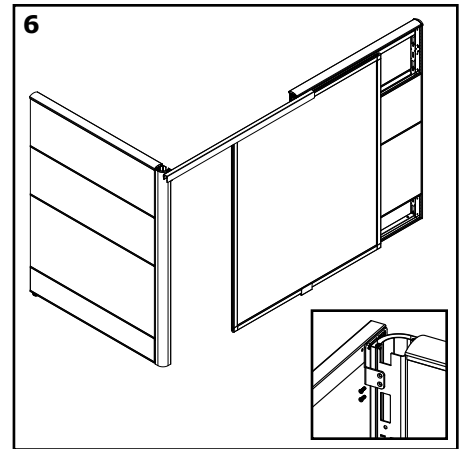
Step 8 - Place door between bottom bracket and top track bar and slide from back to front.



Step 3 - Using (3) #10-32 flat head screws and (3) #10-32 hex nuts, attach brackets to top bar. Be sure to mount the brackets flush to the end of the track bar assembly.



Step 6 - Bring door parallel the frame and check the space between the bottom bracket and top track bar. Adjust bracket and top track bar to desired fit. Using a 9/16 or 1/8 drill bit and the bracket on the top track bar as a guide, drill 2 holes in the 2-way post connector. Using (2) #8-11/16 phillips flat head self tapping screws, attach other side of top track bar. Remove door and tighten all screws.



Step 9 - Re-attach front wheel from inside view of door.

