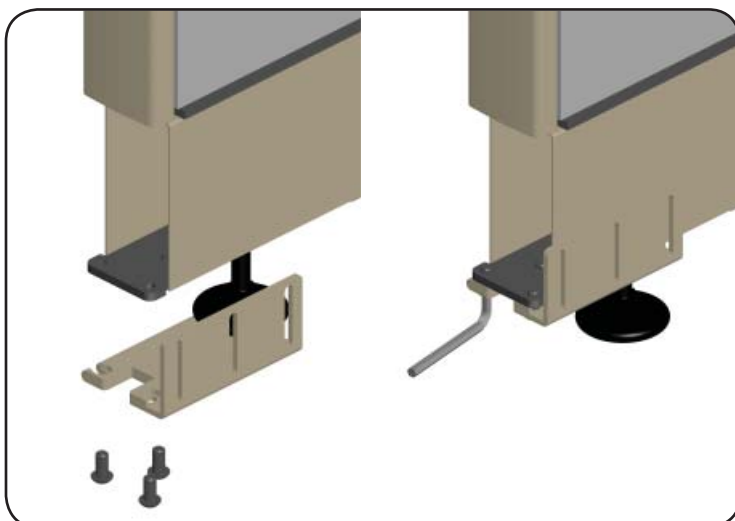


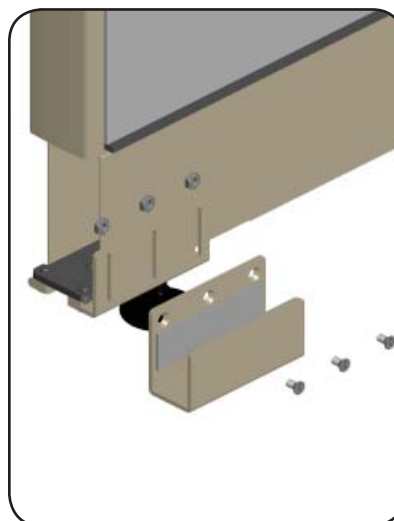
# Sliding Door (Non-Locking)

MWall™

Step 1



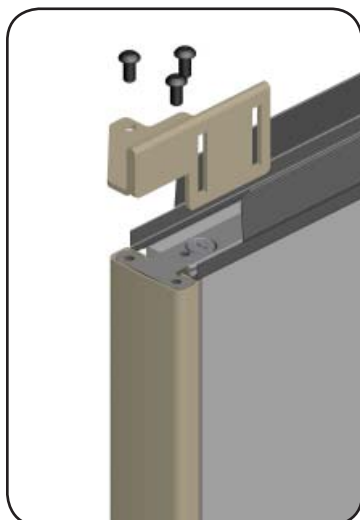
Step 2



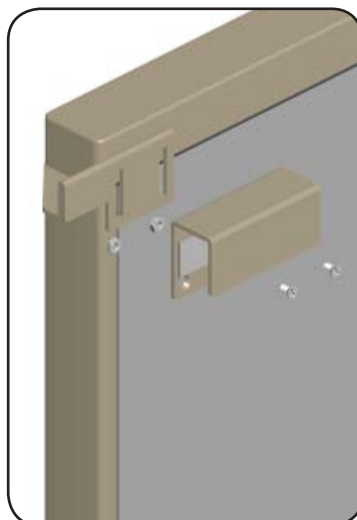
**Step 1** - Panel may need to be removed in order to attach bottom bracket.  
**Note** - Bottom bracket may be turned 180 degrees to attach to opposite side of panel. Attach bottom bracket using (3) 1/4-20 tapered bolts with a 3/16 hex key.

**Step 2** - Attach adjustable bracket to the bottom bracket using (3) #10-32 flat head screws and (3) #10-32 hex nuts. Do not fully tighten screws to allow for bracket adjustment during final steps of installation.

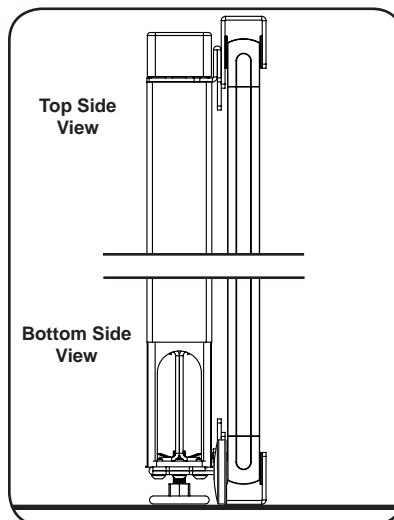
Step 3



Step 4



Step 5

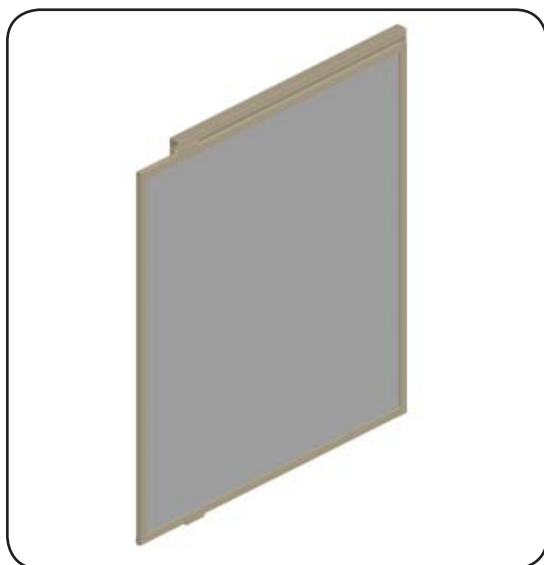


**Step 3** - Remove topcap from panel. Attach bottom bracket using (3) 1/4-20 tapered bolts with a 3/16 hex key. Removed topcap may be reinstalled.  
**Note** - Top bracket may be turned upside down for mounting to opposite side of panel.

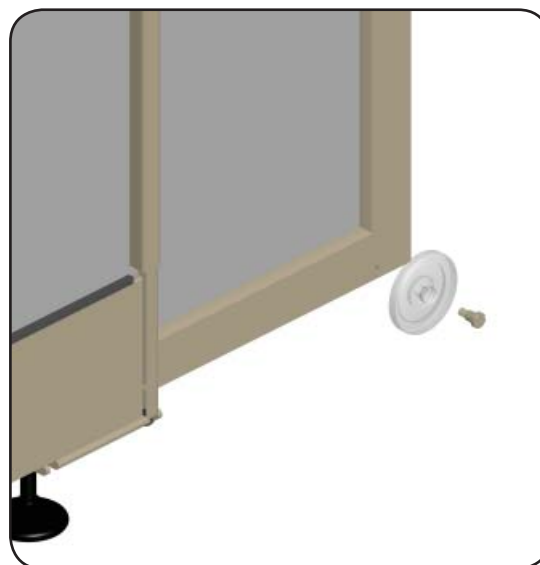
**Step 4** - Attach adjustable bracket to the top bracket using (3) #10-32 flat head screws and (3) #10-32 hex nuts. Do not fully tighten screws to allow for bracket adjustment during final steps of installation.

**Step 5** - Remove front wheel from sliding door. Bring door parallel to the panel and check space between top and bottom brackets. Adjust brackets to desired fit and tighten screws on both adjustable brackets.

Step 6



Step 7



**Step 6** - Slide door between brackets from back to front.

**Step 7** - Re-attach front wheel from inside view of door.