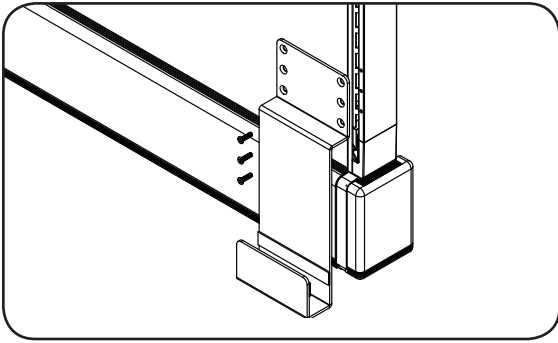


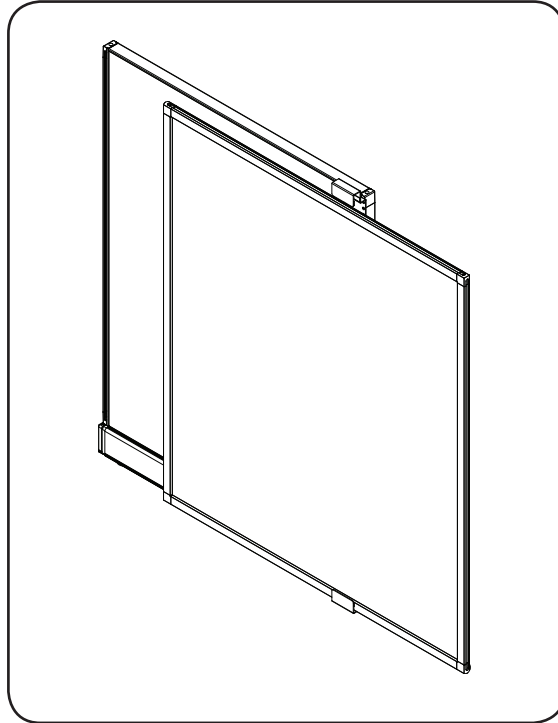
# Sliding Door (Non-Locking)

# A02™

Step 1

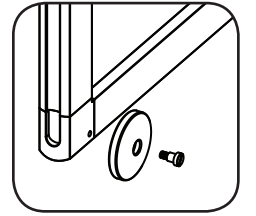


Step 2

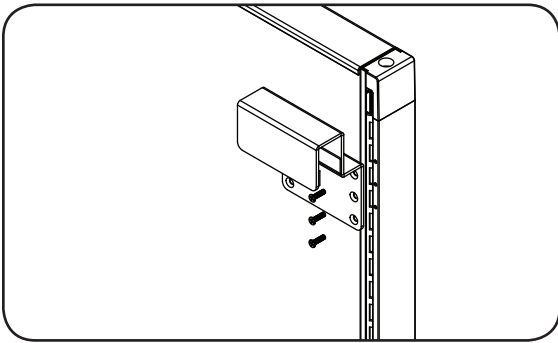


**Step 1** - Using a drill bit 9/64 or 1/8, and the bottom bracket as a guide, drill 3 pilot holes into the end cap. Attach bottom bracket to AO2 hanger frame using 3 #8 11-16 Philips Flat Head Self-Tapping Screws.

**Step 2** - Remove front wheel from the rolling door. Bring door parallel to the panel and check the correct height to attach the top bracket.

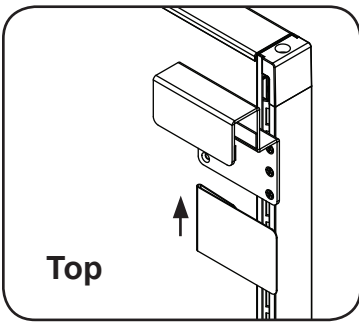


Step 3



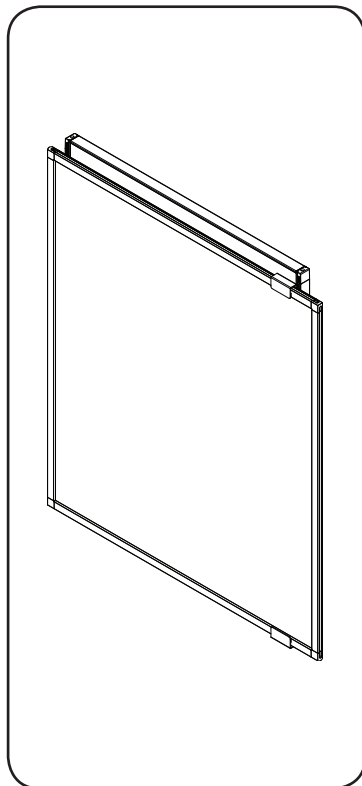
**Step 3** - Remove the door from the panel. Using a drill bit 9/64 or 1/8, and the top bracket as a guide, drill 3 pilot holes into the end cap. Attach top bracket to AO2 hanger frame using 3 #8 11-16 Philips Flat Head Self-Tapping Screws.

Step 4



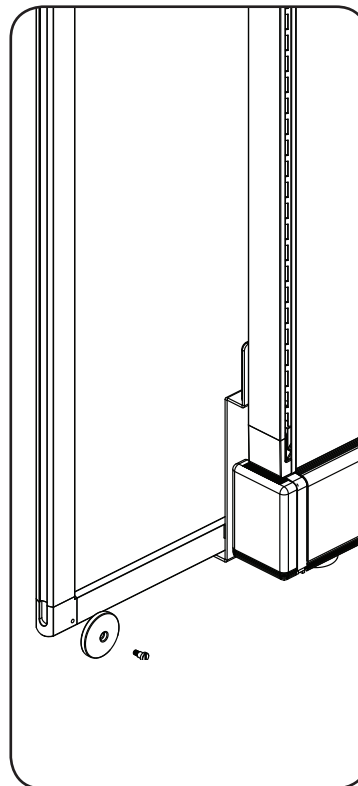
**Step 4** - Install metal covers on the door brackets.

Step 5



**Step 5** - Place door between brackets and slide from back to front.

Step 6



**Step 6** - Re attach front wheel from inside view of door.

Top

Bottom