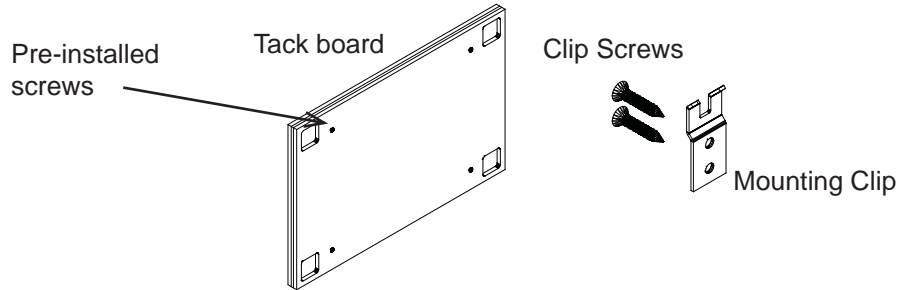


Details

Wall Mounted Tack boards are installed by attaching clips directly to the wall, then attaching the tack board to the clips. The tack board has pre-installed screws which the clips will hook onto.



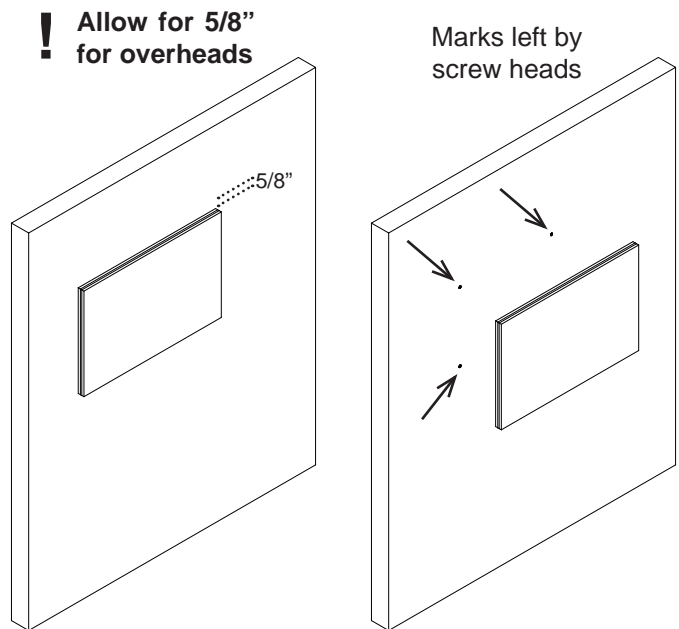
Step 1 - Placement

Place the tack board on the wall and softly tap the locations where the pre-installed screws are on the back. This will dent/mark the wall with locations you will need.

Note: Use a soft mallet to avoid damaging the tack board or loosening the screws on the back.

Note: Use a hard surface (wood block, metal plate, etc...) to protect the fabric from damage when tapping the tack board.

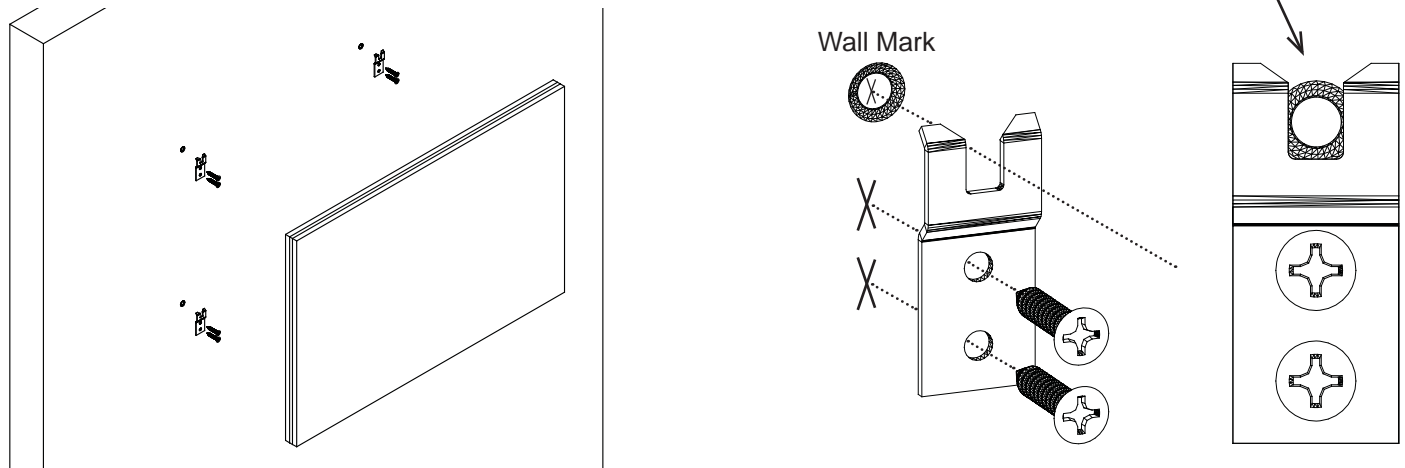
IMPORTANT: The tack board will require 5/8" of space above the final placement location in order to be installed. Please plan either to mount the tackboards first or allow for this space between the tack board and any overheads in use.



Step 2 - Attach Brackets to the wall.

Using the marks from step 1, mount the brackets onto the wall with the supplied clip screws. Align the clip so you can see the mark through the "U" in the top of the clip.

Predrill and use appropriate light duty wall anchors.

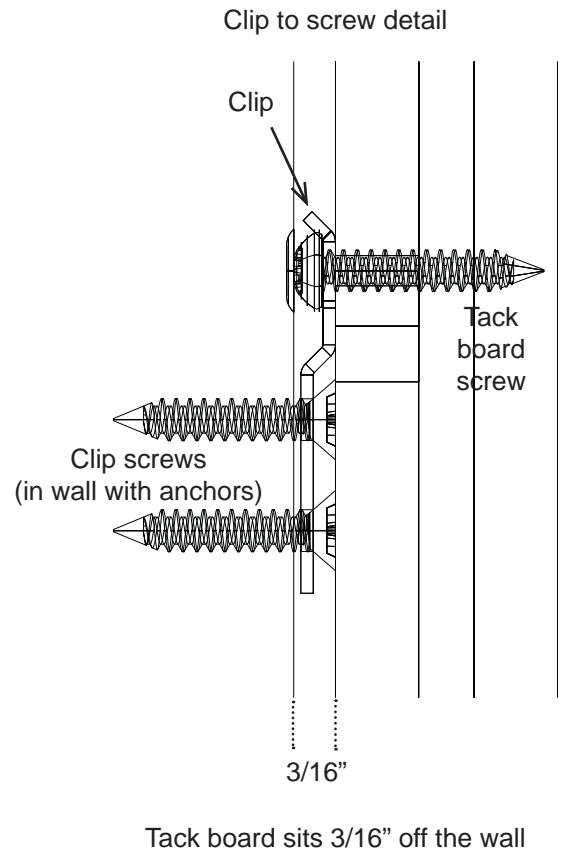
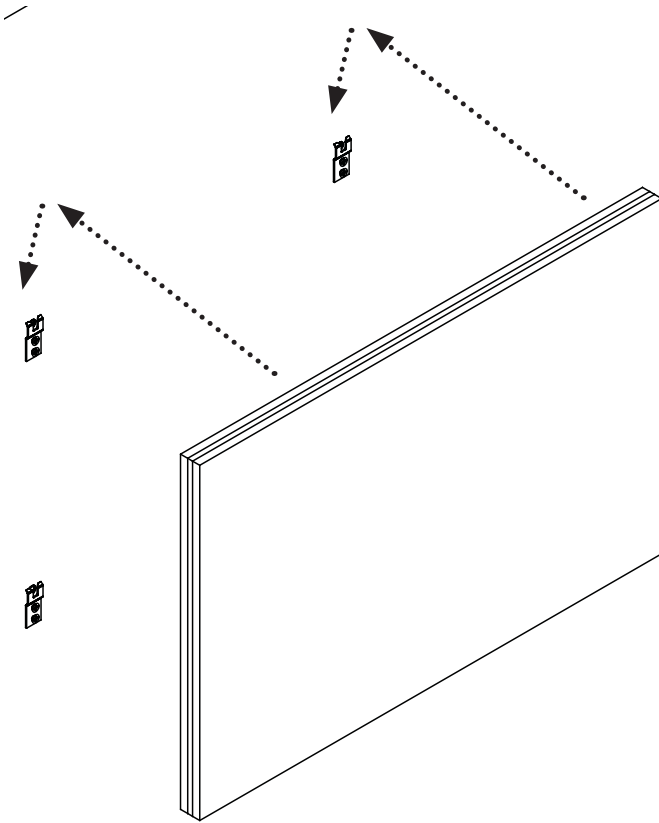


Details

Wall Mounted Tack boards are installed by attaching clips directly to the wall, then attaching the tack board to the clips. The tack board has pre-installed screws which the clips will hook onto.

Step 3 - Install the Tack board

Using the marks from step 1, mount the brackets onto the wall with the supplied clip screws. Align the clip so you can see the mark through the "U" in the top of the clip.



Step 4 - Cord Groove

For tackboards with a tasklight groove, install the pressure fit sleeve onto the top of the tack board as shown.

