

Calibrate Installation

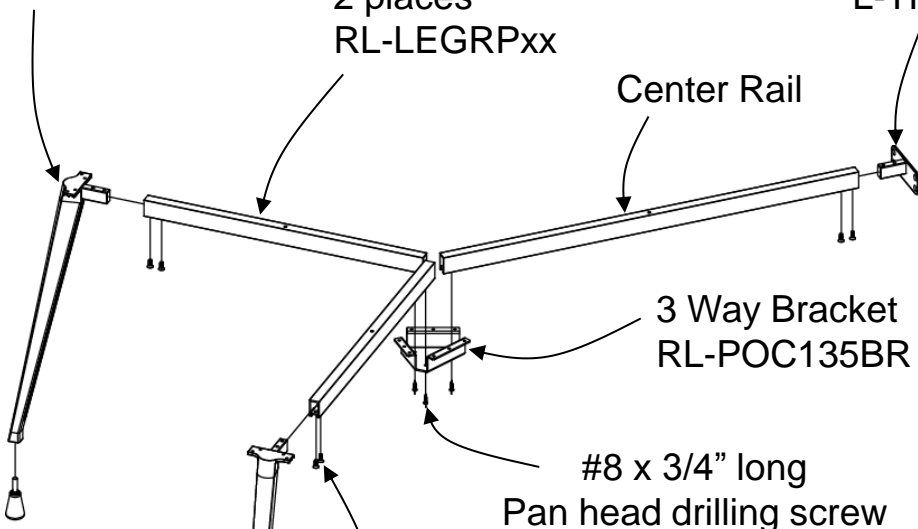
Run-off Leg Assembly Floating Runoff

Tapered Leg
2 places
L-LPOSTLEG

Leg Rail
2 places
RL-LEGRPxx

End Bracket
L-TPLATE

Bracket
O-LB2
2 places



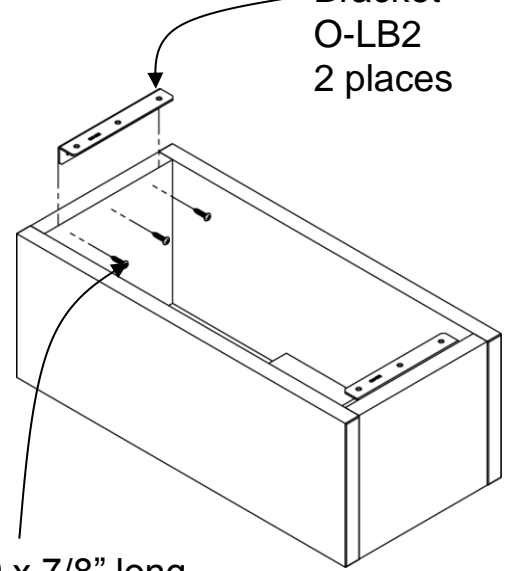
Center Rail

3 Way Bracket
RL-POC135BR

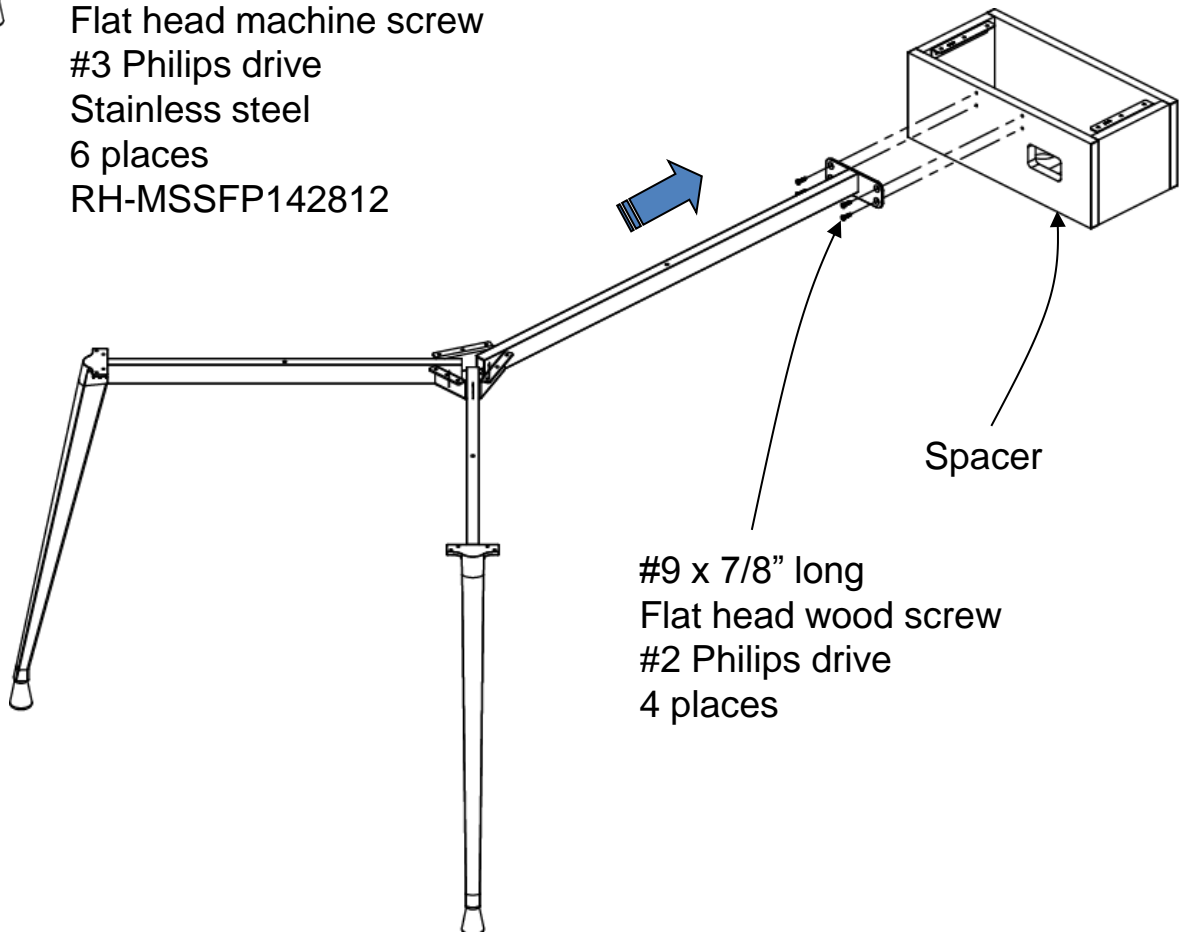
#8 x 3/4" long
Pan head drilling screw
#2 Philips drive
3 places
RH-94060A197A

1/4-28 x 5/8" long
Flat head machine screw
#3 Philips drive
Stainless steel
6 places
RH-MSSFP142812

Glide
2 places
L-LEGGLD



#9 x 7/8" long
Flat head wood screw
#2 Philips drive
6 places
RH-QS0978



Spacer

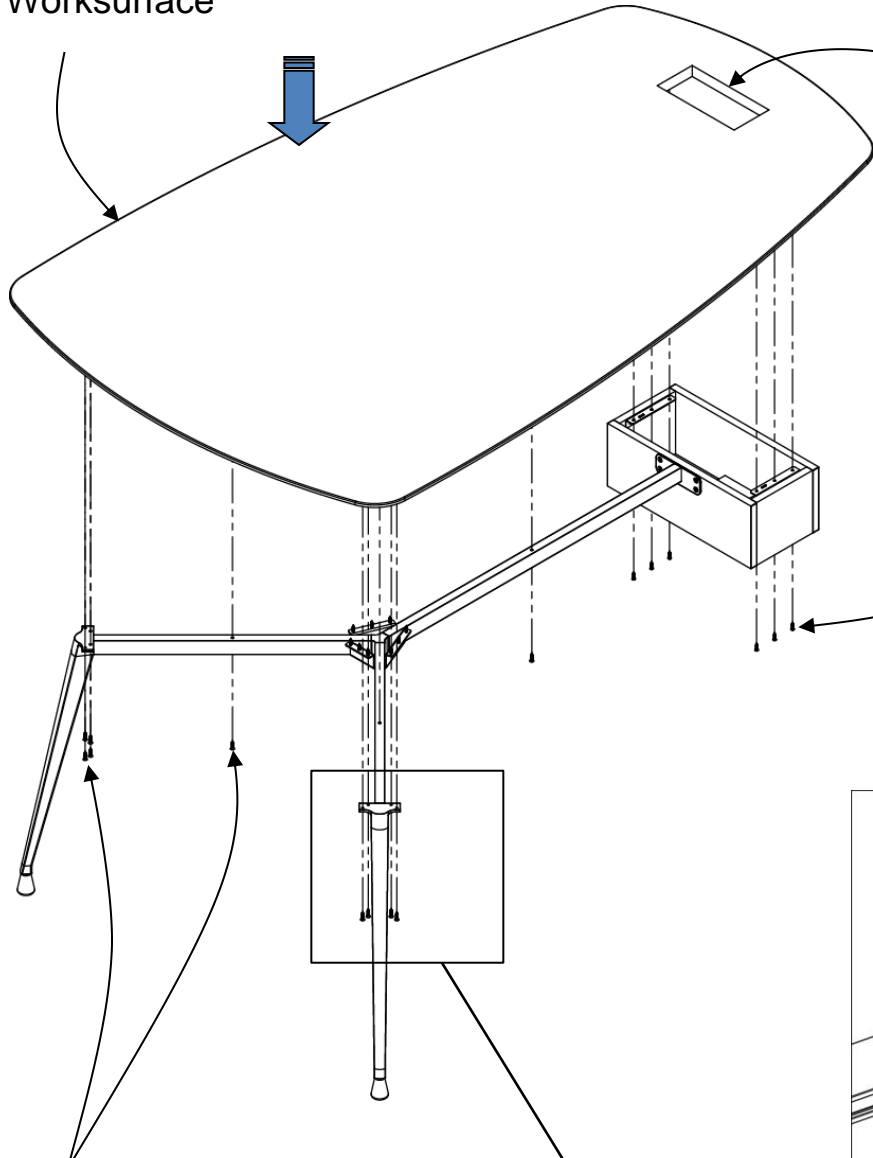
#9 x 7/8" long
Flat head wood screw
#2 Philips drive
4 places



Calibrate Installation

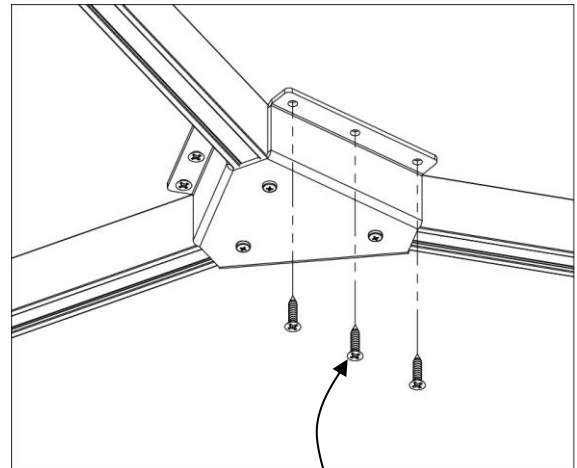
Run-off Leg Assembly - Worksurface Installation

Worksurface

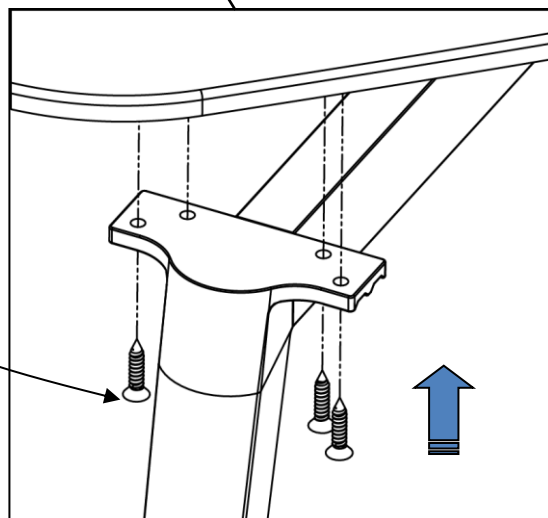


Install Stafford Mini Unit
per separate installation
instructions provided.
E-STAFMB-S

#9 x 7/8" long
Flat head wood screw
#2 Philips drive
6 places



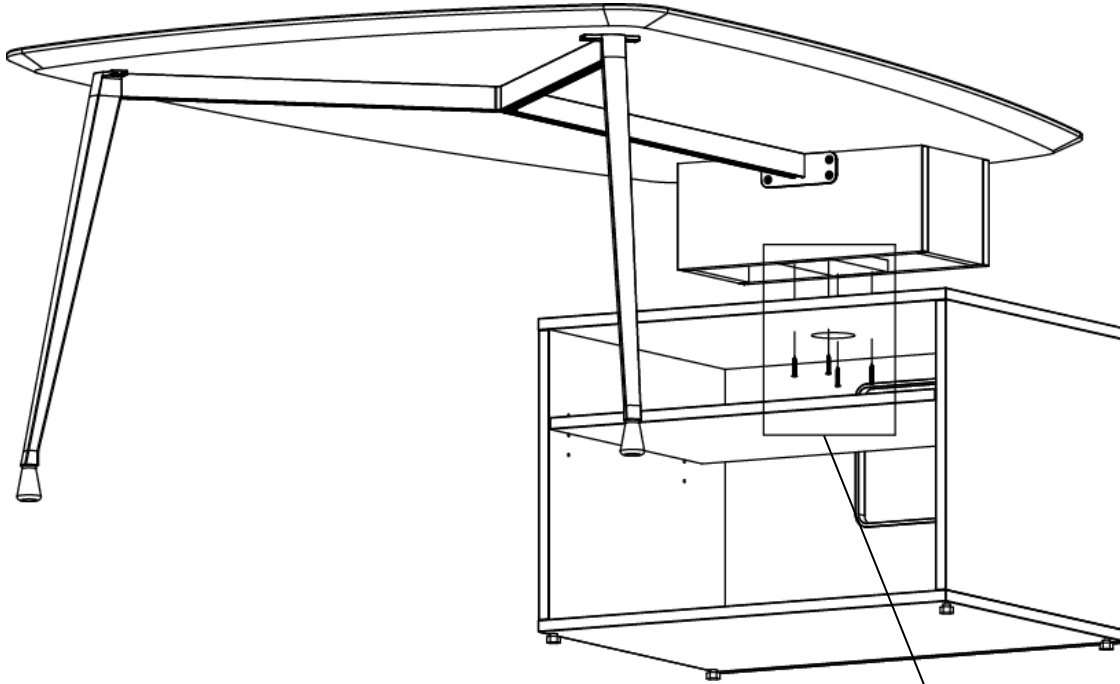
#9 x 7/8" long
Flat head wood screw
#2 Philips drive
11 places



#9 x 7/8" long
Flat head wood screw
#2 Philips drive
9 places

Calibrate Installation

Floating Run-off Installation



#8 x 1 ¼" long
Flat head wood screw
#2 Philips drive
4 places
RH-01023068

