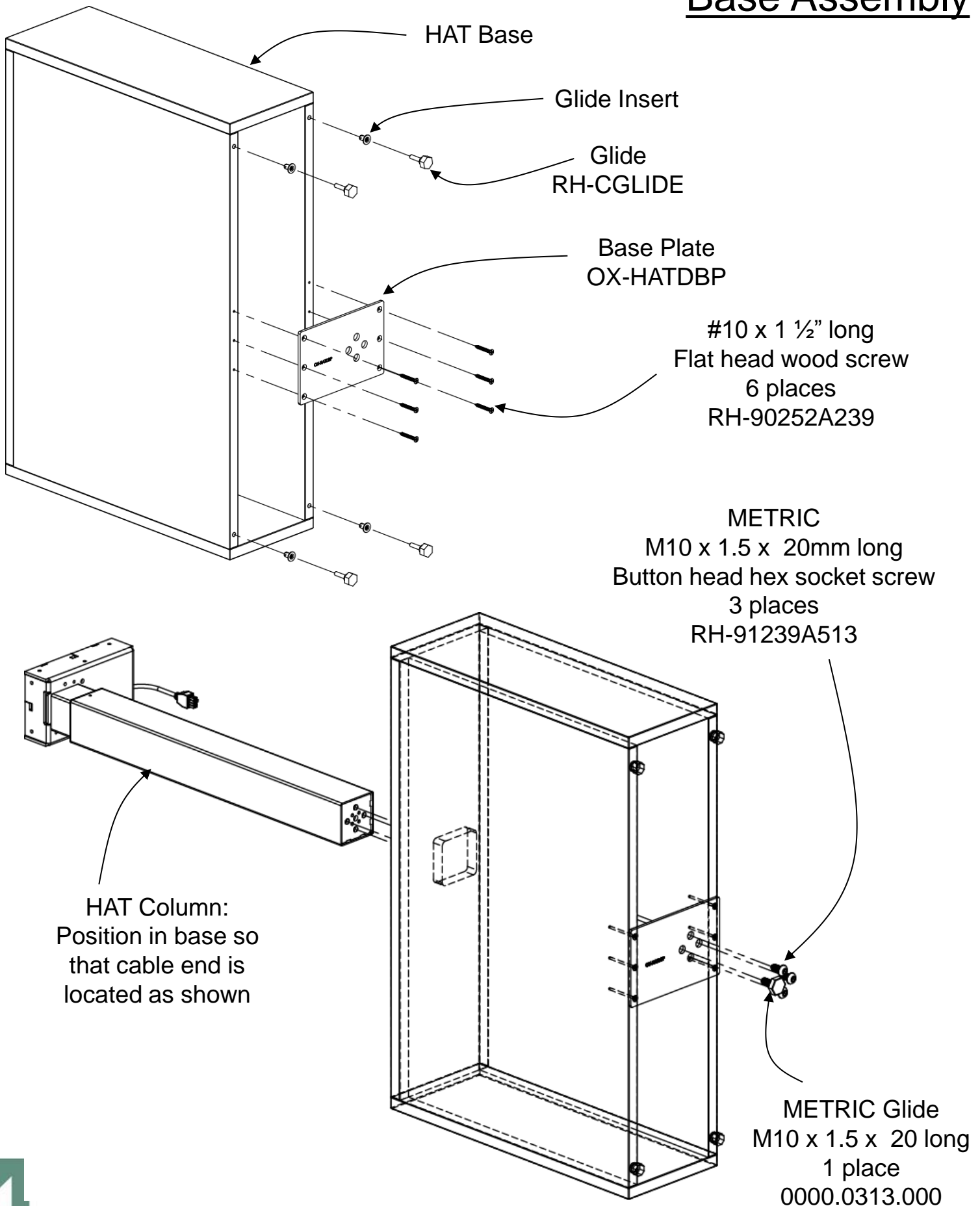


Calibrate Installation

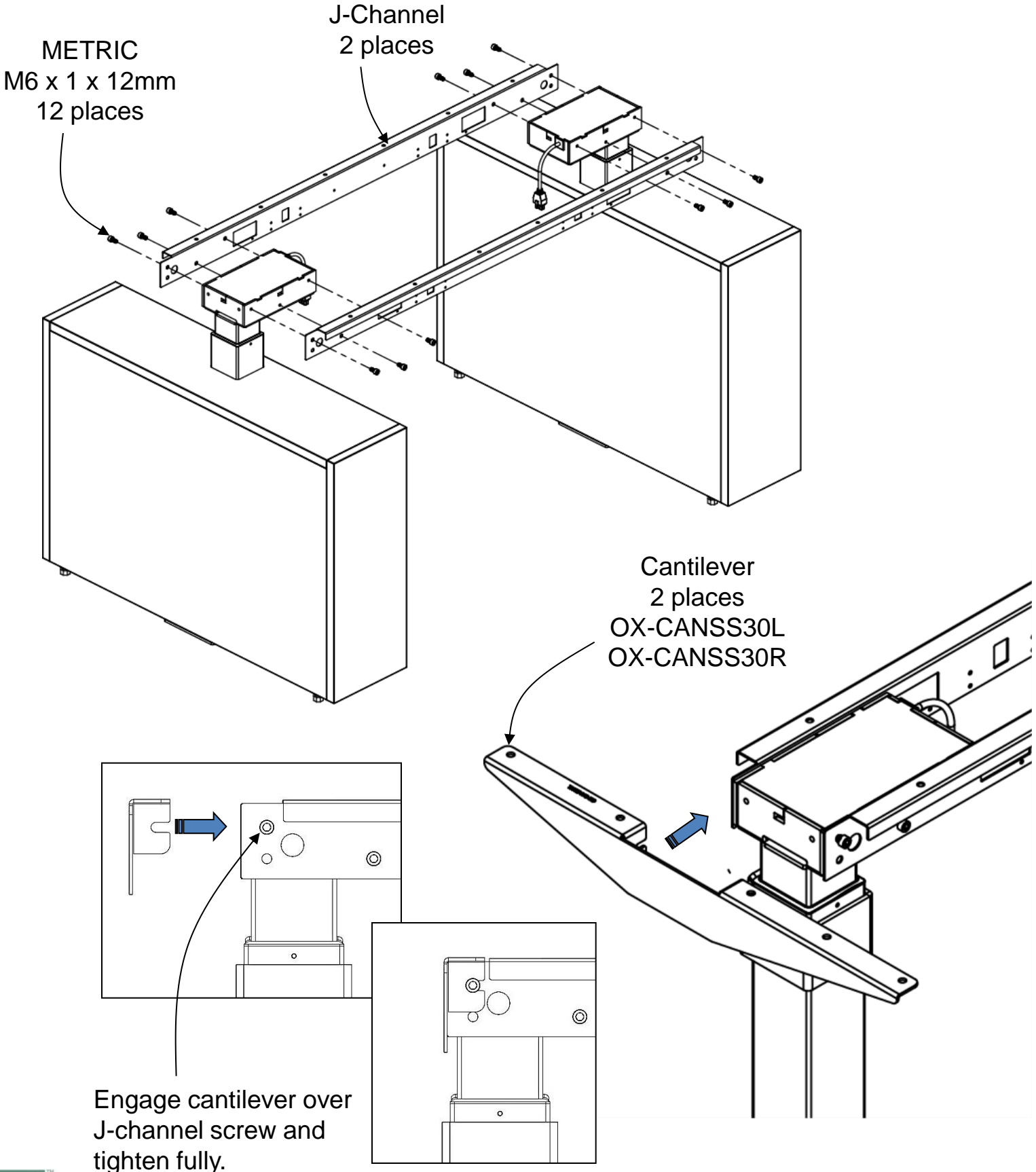
Height Adjustable Tables -

Base Assembly



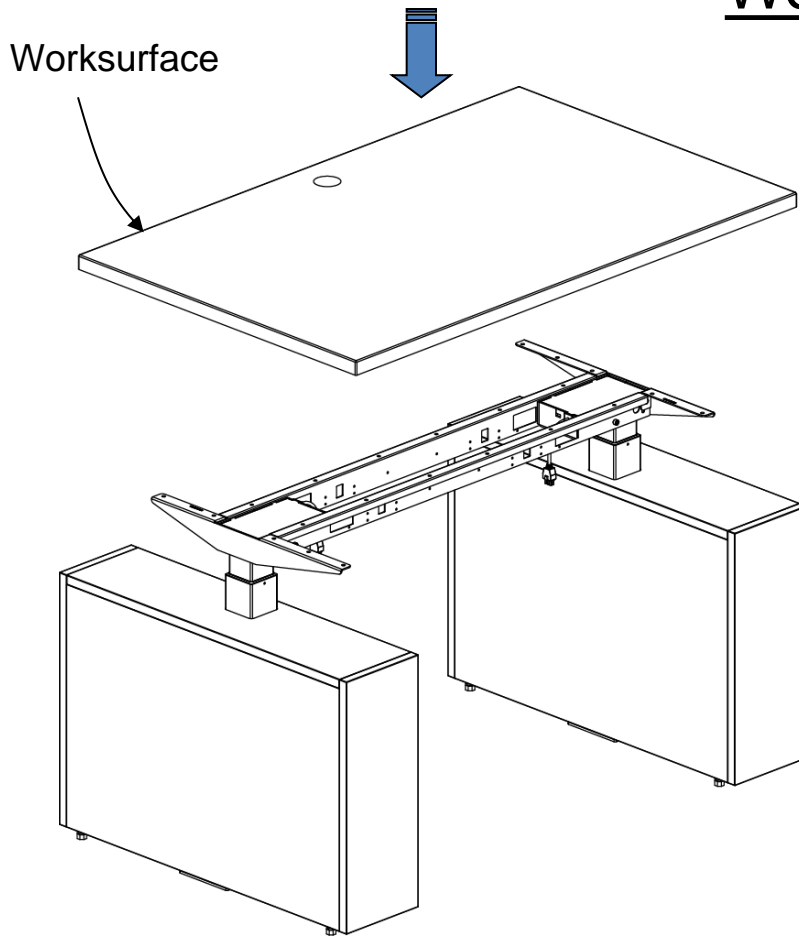
Calibrate Installation

Height Adjustable Tables - J-Channel and Cantilever

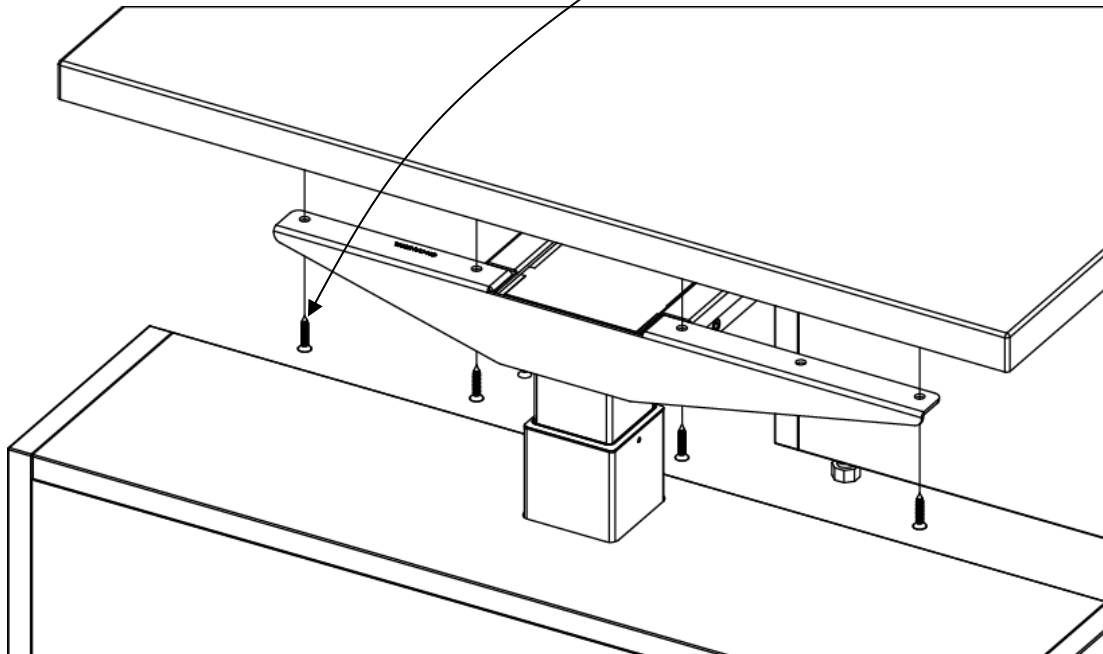


Calibrate Installation

Height Adjustable Tables - Worksurface Installation

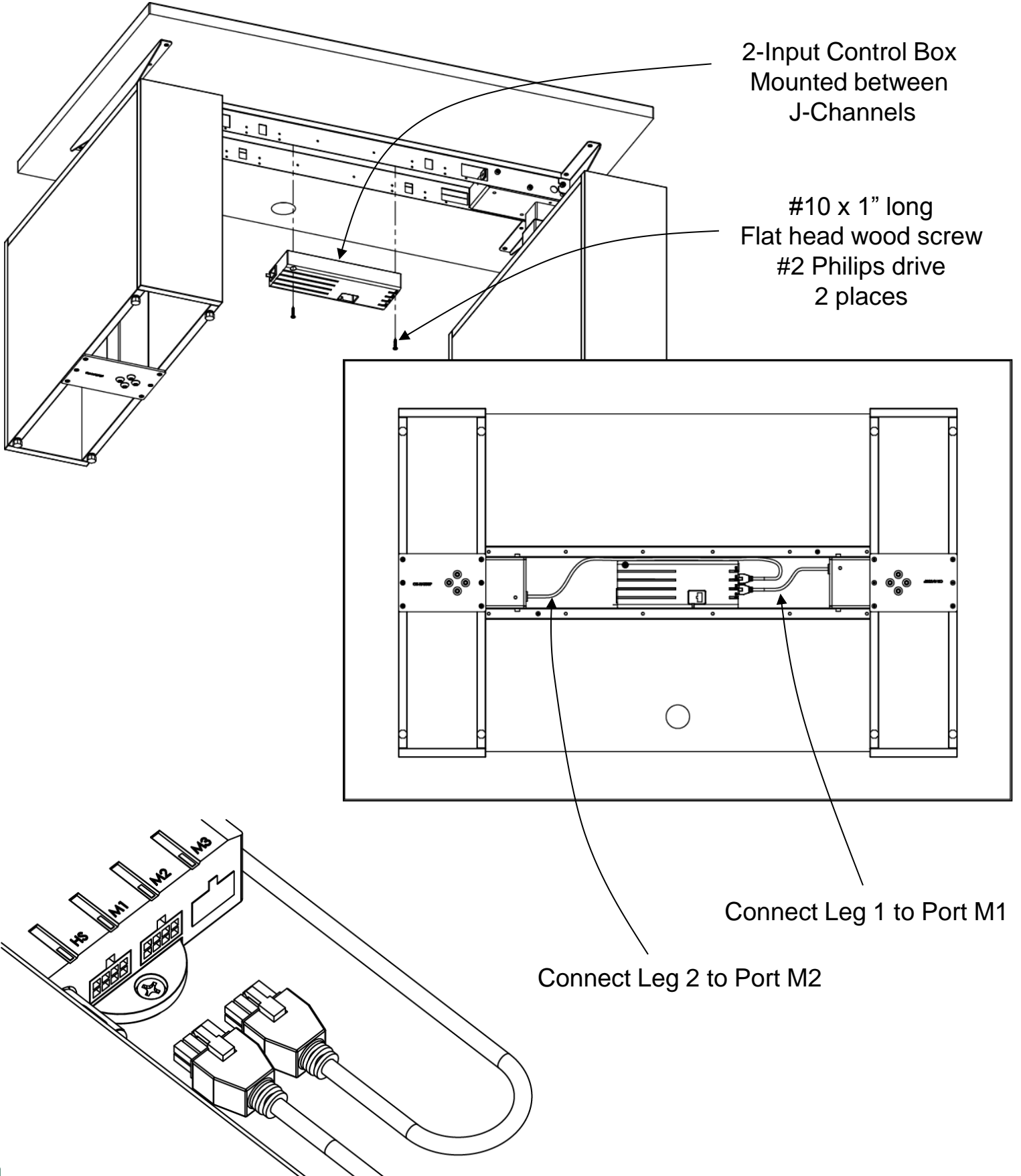


Flat head wood screw
#9 x 7/8 long
#2 Phillips drive
silver x 12
RH-QS0978



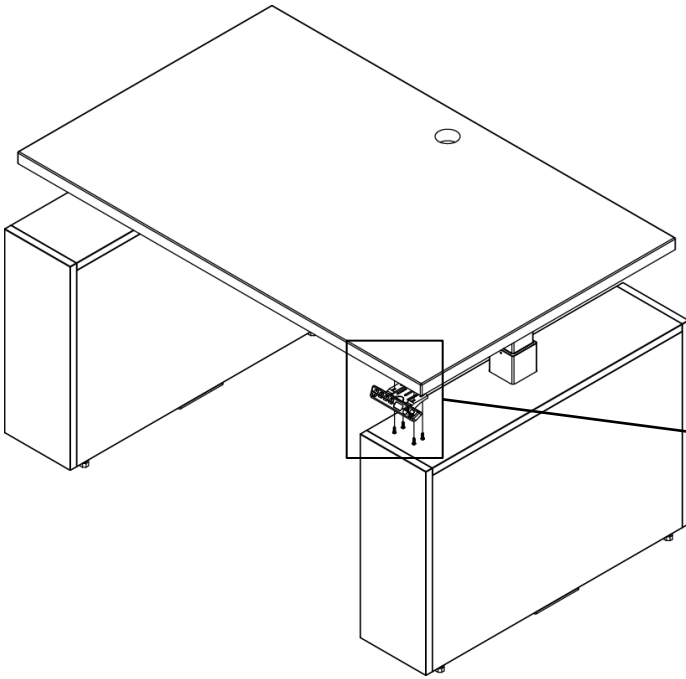
Calibrate Installation

Height Adjustable Tables - Motor Controller Installation

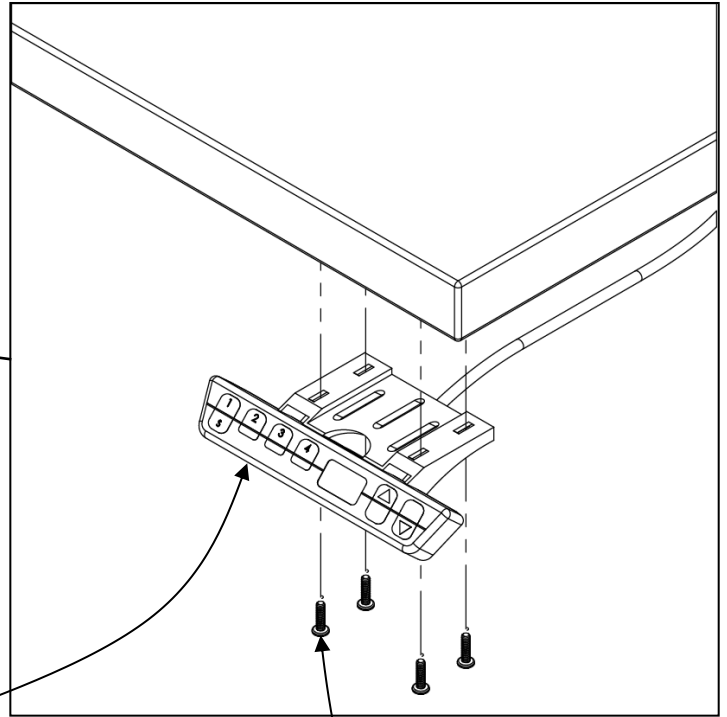


Calibrate Installation

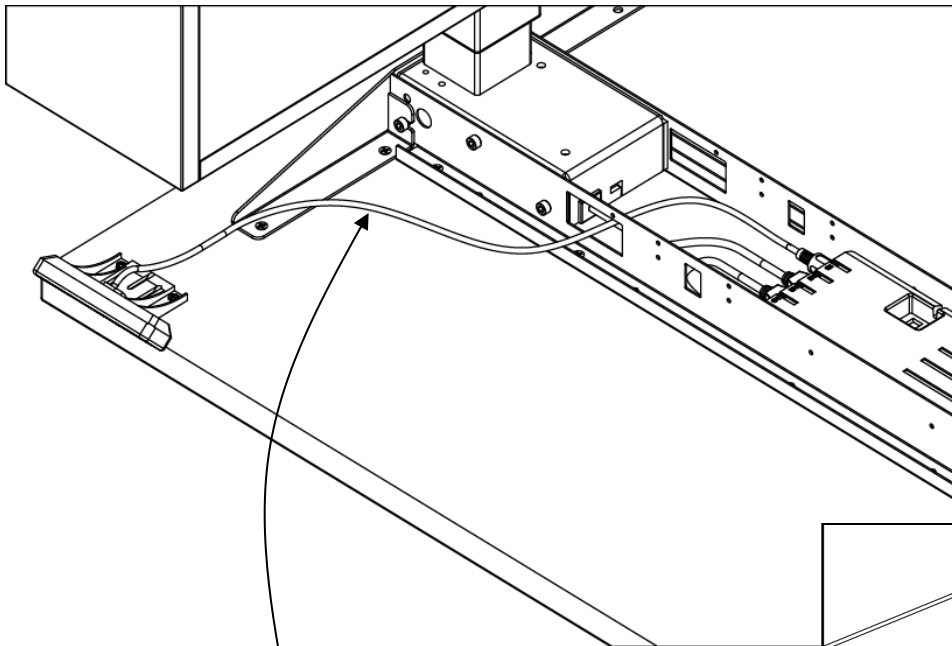
Height Adjustable Tables - Hand Switch



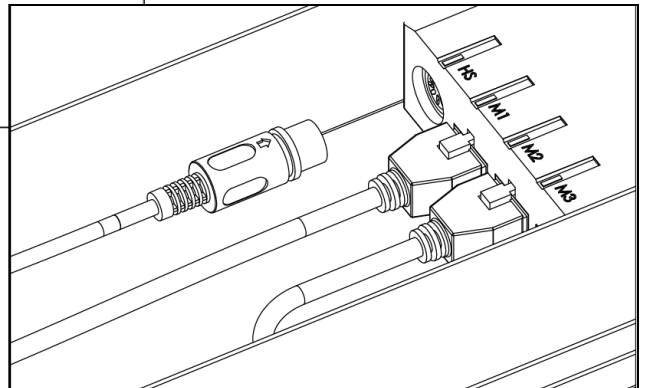
Programmable Hand Switch



#6 x 1/2" long
Pan head screw
#2 Philips drive
4 places

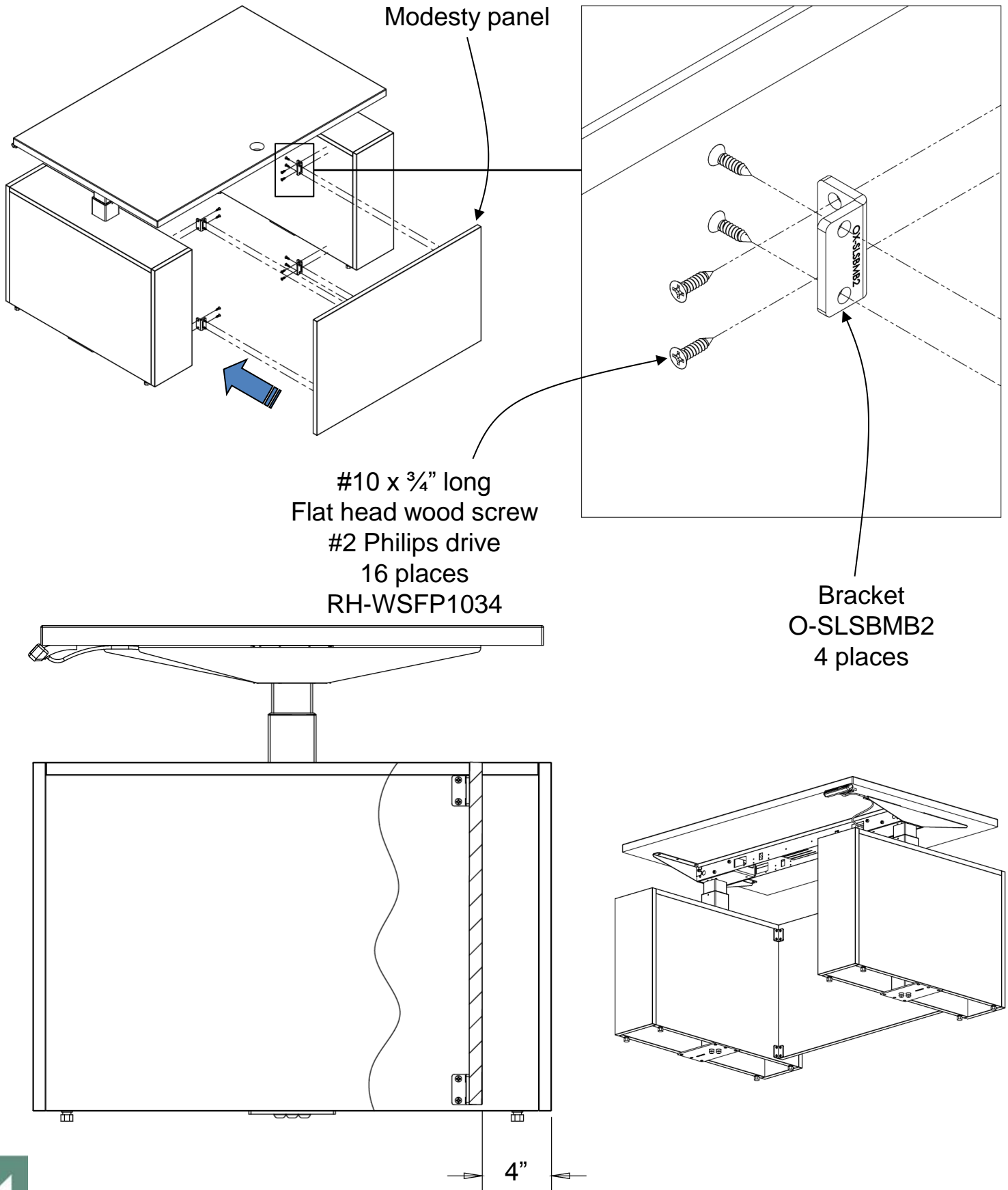


- Run Hand Switch Connector through hole in J-Channel
- Plug Connector into Port HS



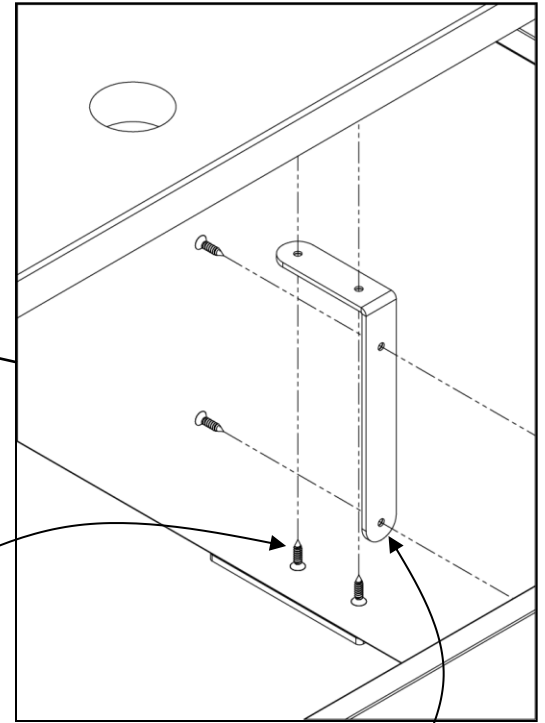
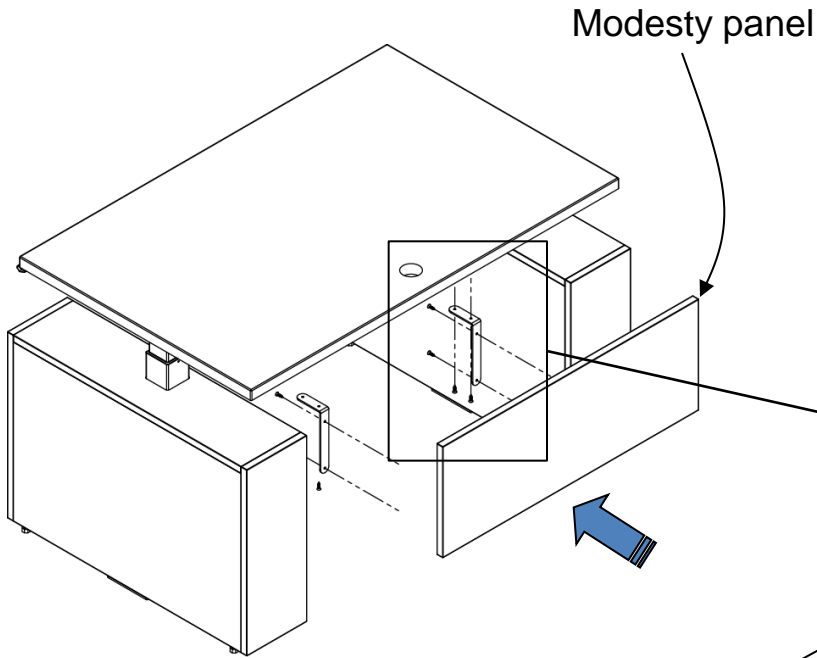
Calibrate Installation

Height Adjustable Tables - Fixed Modesty Installation



Calibrate Installation

Height Adjustable Tables - Suspended Modesty



#10 x 3/4" long
Flat head wood screw
#2 Philips drive
8 places
RH-WSFP1034

Bracket
4 places
L-MPB

