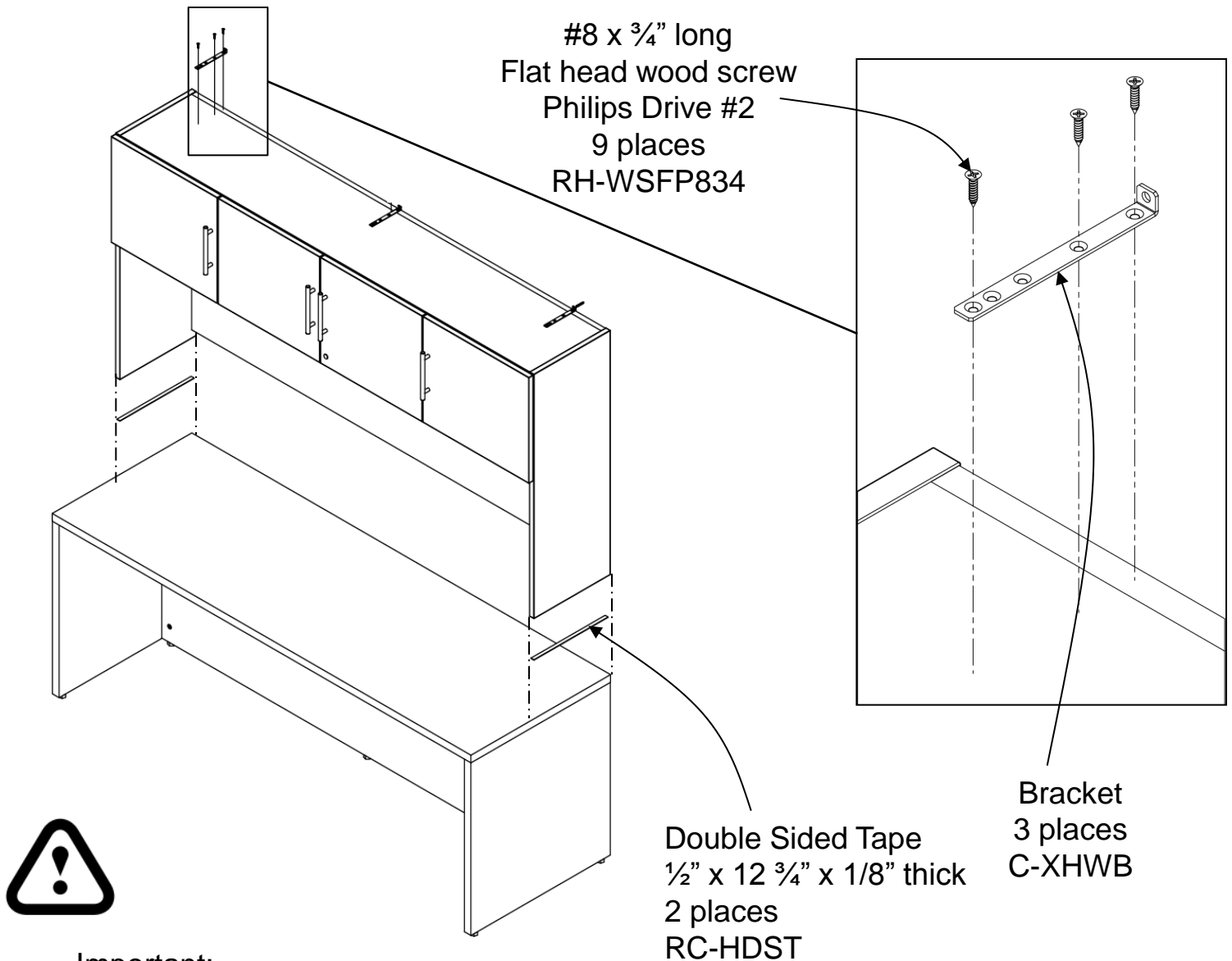


# Calibrate Installation

# Hutch Assembly



## Important:

For safety reasons, the adhesive mounting tape supplied must be used when installing the hutch. This one time use adhesive tape permanently fixes the position of the hutch to prevent it from tipping over. Do not remove the tapes protective backing before deciding the final position of the hutch. Always secure hutch to wall or adjacent tower unit, left or right. Brackets are required when hutch is offset from wall or when not ganged to an adjacent tower unit.

## Installation Notes:

1. Remove tape backing and stick the foam tape under each side panel of the hutch
2. Remove the second tape backing and install the hutch on the furniture.
3. Secure hutch to wall using beam or toggle anchors or secure to adjacent unit.

## Hutch Removal Notes:

1. To remove hutch, use a precision knife, insert the blade and cut the mounting tape lengthwise. Lift slowly.
2. To remove mounting tape from the surface, use a scraper.
3. To re-install hutch, use new mounting tape