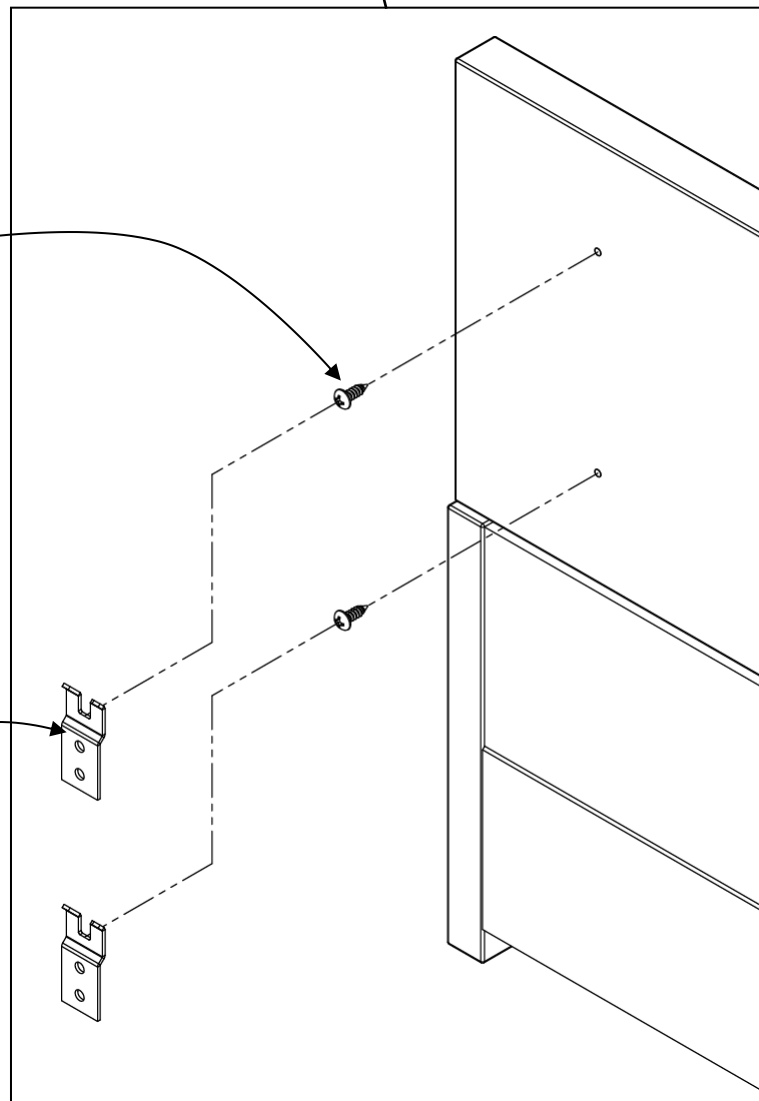
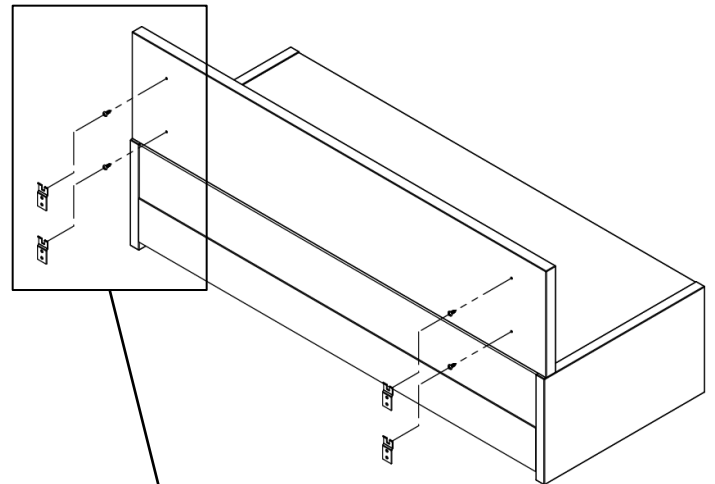
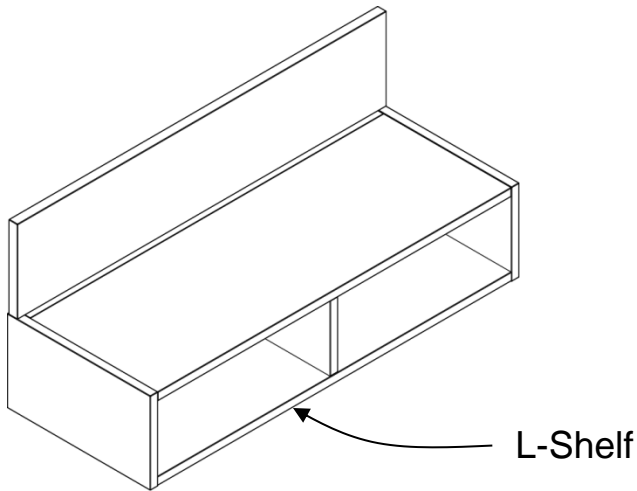


# Calibrate Installation

# L-Shelf Assembly



#8 x 1/2" long  
Round head wood screw  
Philips drive #2  
4 places  
RS-HSFDU812-A

- Install #8 screws to L-Shelf and hang unit onto installed wall brackets

Wall Brackets  
4 places  
RC-TBKT

- Secure to wall beams or use toggle anchor (hardware not included)