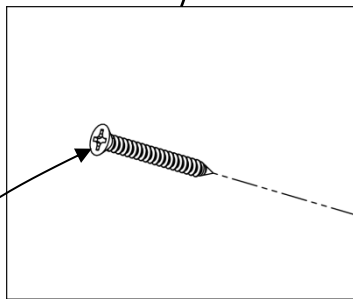
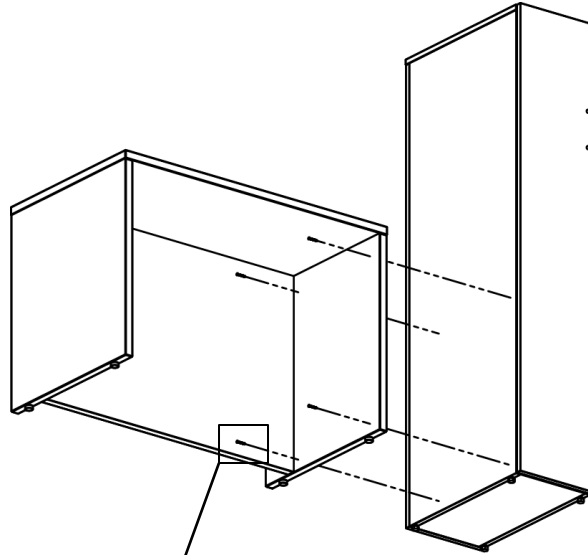




Important:

For safety reasons, always secure tower unit to wall using beam or toggle anchors or secure to adjacent unit as shown.



#8 x 1 1/4" long
Flat head wood screw
#2 Philips drive
4 places
RH-01023068

