

# Calibrate Installation

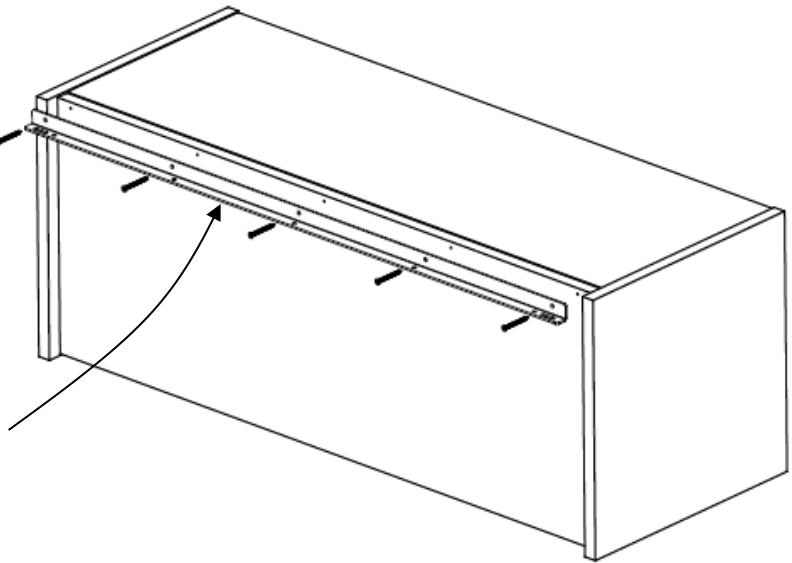
## Wall Mounted Overheads With Metal Cleat



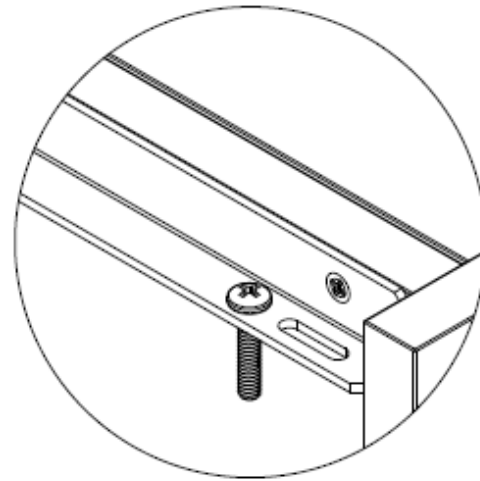
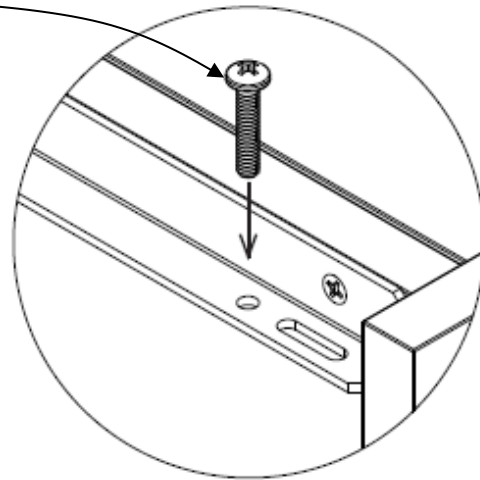
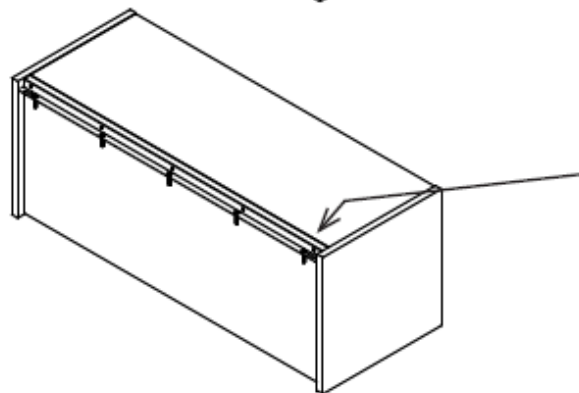
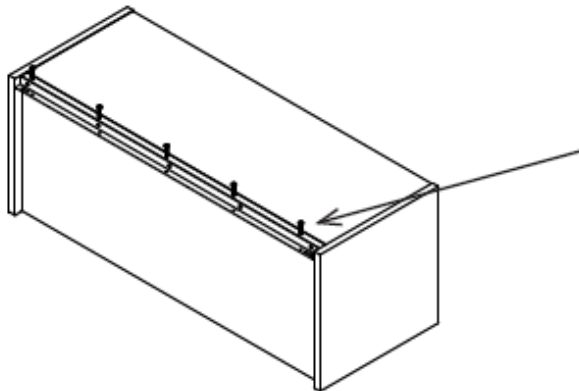
#10 x 2" long  
Flat head sheet metal screw  
Phillips Drive #2  
RH-SMZFP102B



Profile  
Adjustable Wall Mounted Cleat Top  
Mounts flush to cabinet top  
RC-WCATxx



1/4-20 x 1 1/4" long  
Pan head machine screw  
Phillips Drive #3  
RH-MSZ1420114



# Calibrate Installation

# Wall Mounted Overheads With Metal Cleat

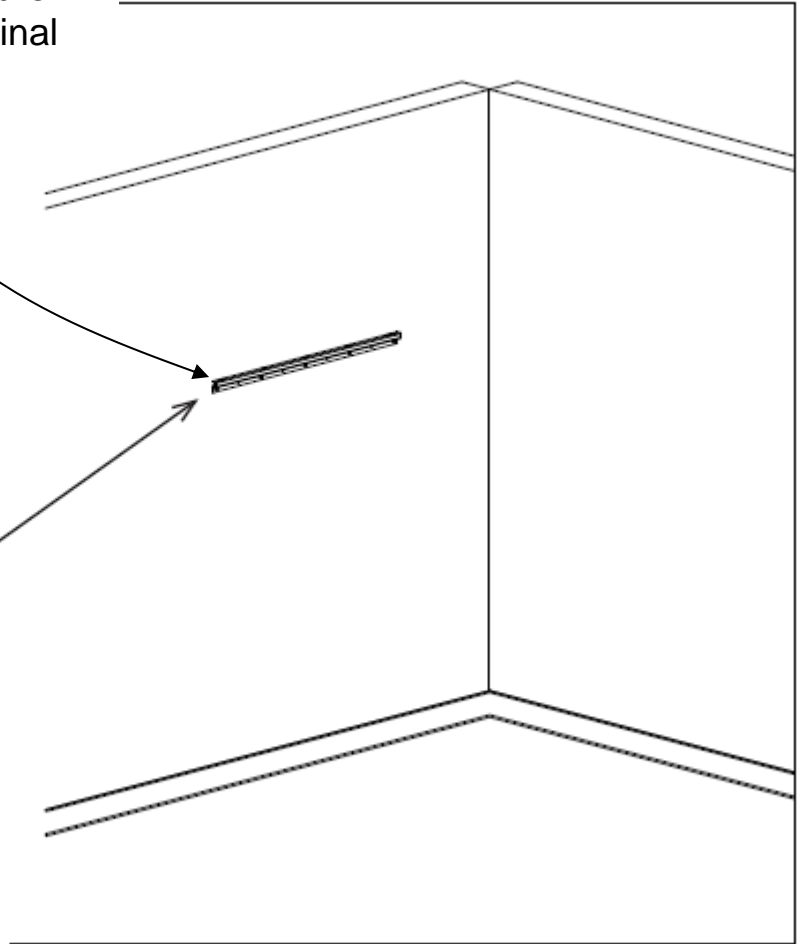
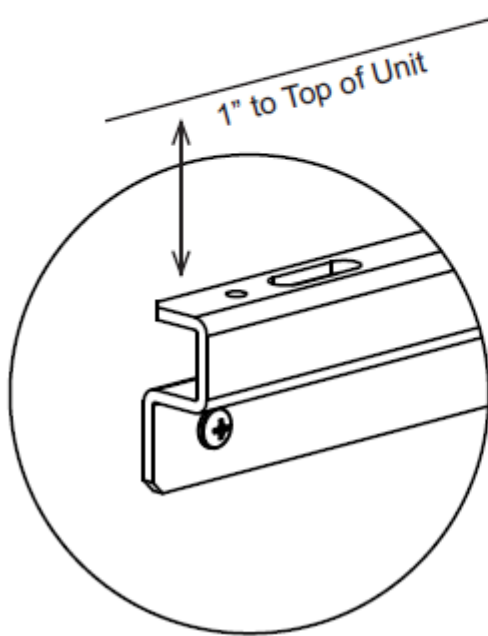
Cleat Bottom:

RC-WCAB

- Secure to wall (hardware not supplied)  
Use appropriate hardware per load.
- Install Cleat Bottom 1" lower than the desired top of the overhead units final installation location

Install the Cleat bottom 1" lower than the top of the overhead units final installation location.

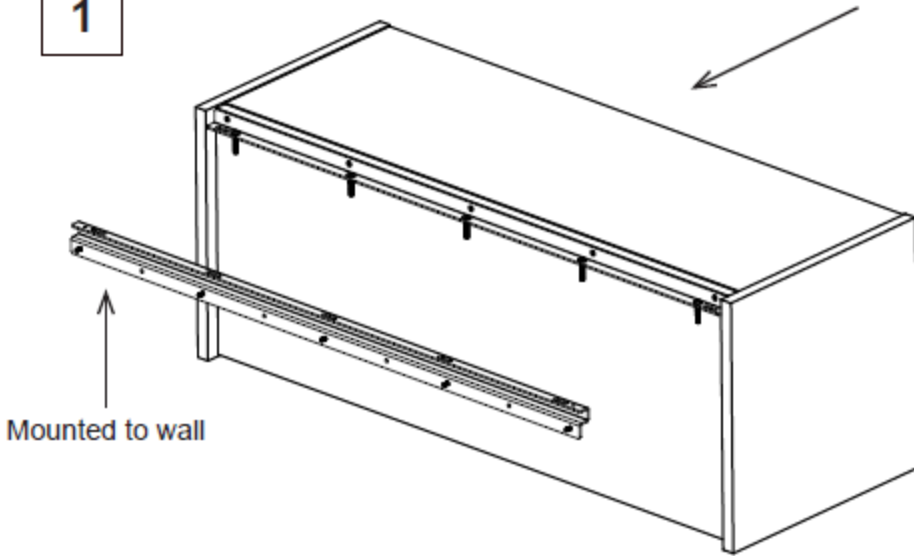
Mounting hardware not supplied.



# Calibrate Installation

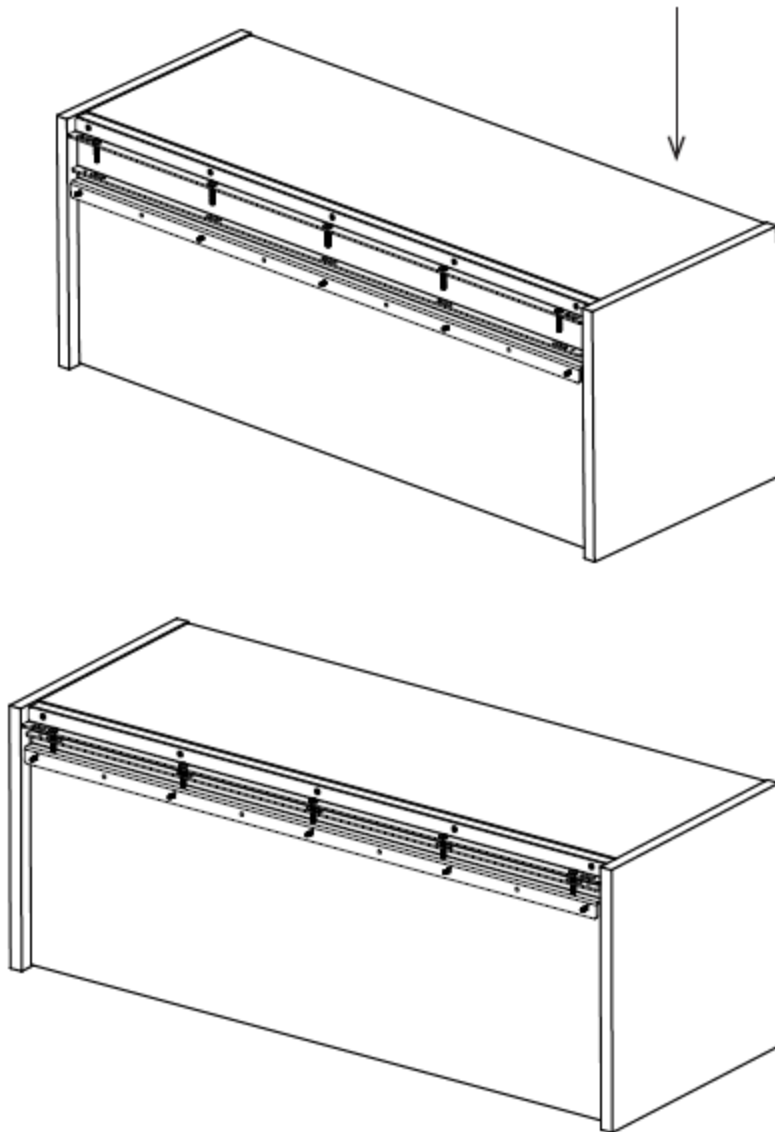
# Wall Mounted Overheads With Metal Cleat

1

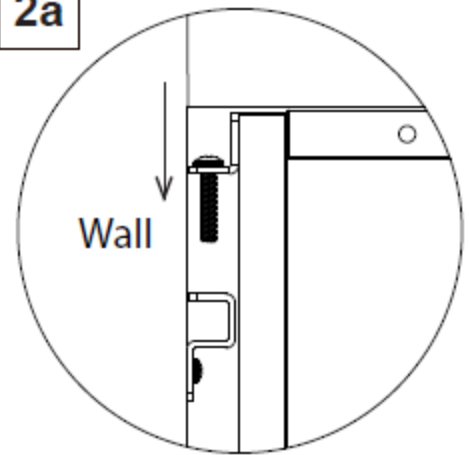


Use the installed 1/4-20 screws to hang unit onto the cleat bottom. Use 1/4-20 screws to level the unit.

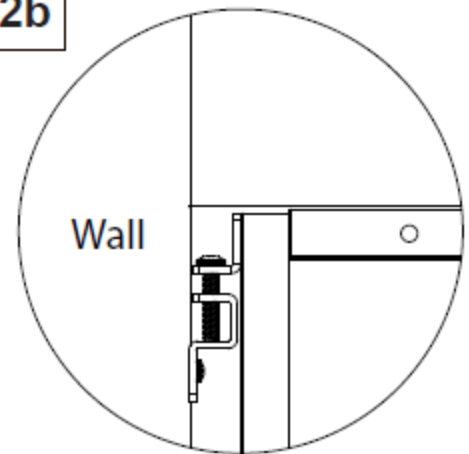
2



2a



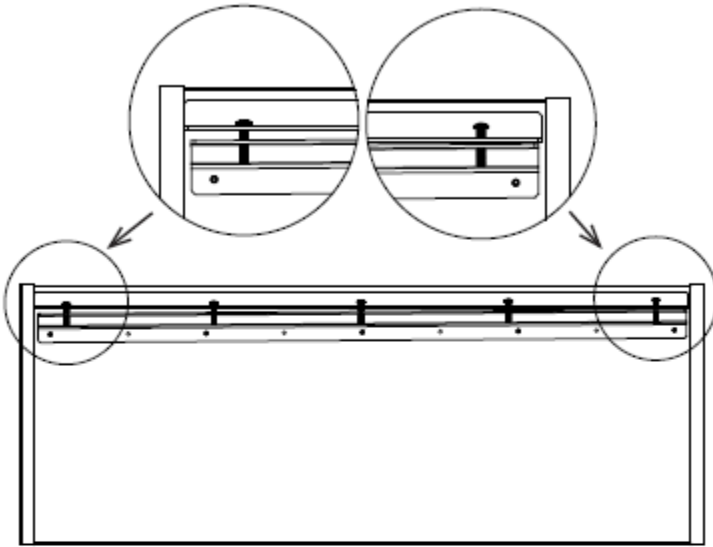
2b



# Calibrate Installation

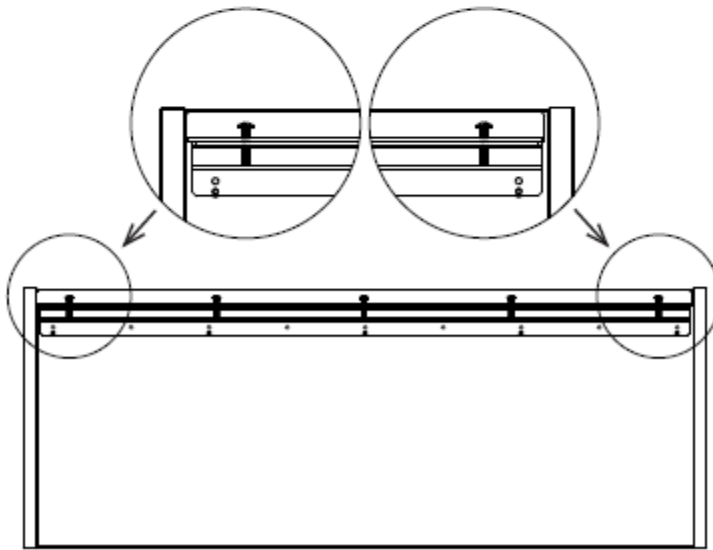
# Wall Mounted Overheads With Metal Cleat

Adjustment for Uneven Cleat

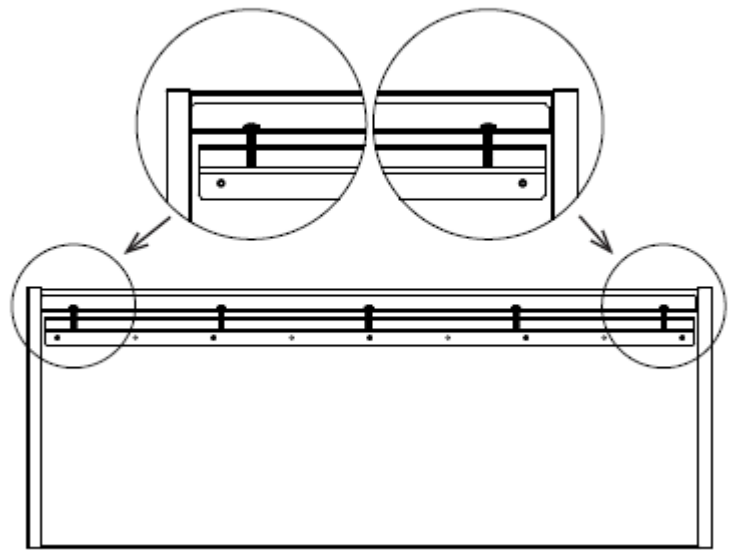


Use ¼-20 screws to level the unit.

Minimum Height Adjustment



Maximum Height Adjustment



#10-24 x ¾" long  
Pan head machine screw  
RH-MSZPP102434

Install locking screw at both ends of unit to prevent unit from dislodging

