

Calibrate Installation

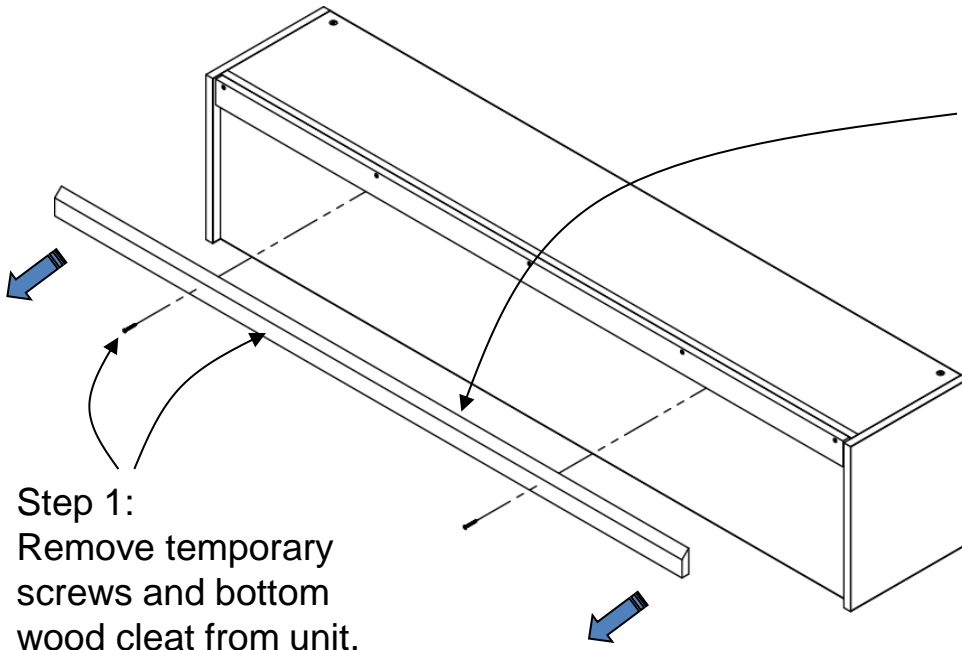
Wall Mounted Overheads

Wood Cleat



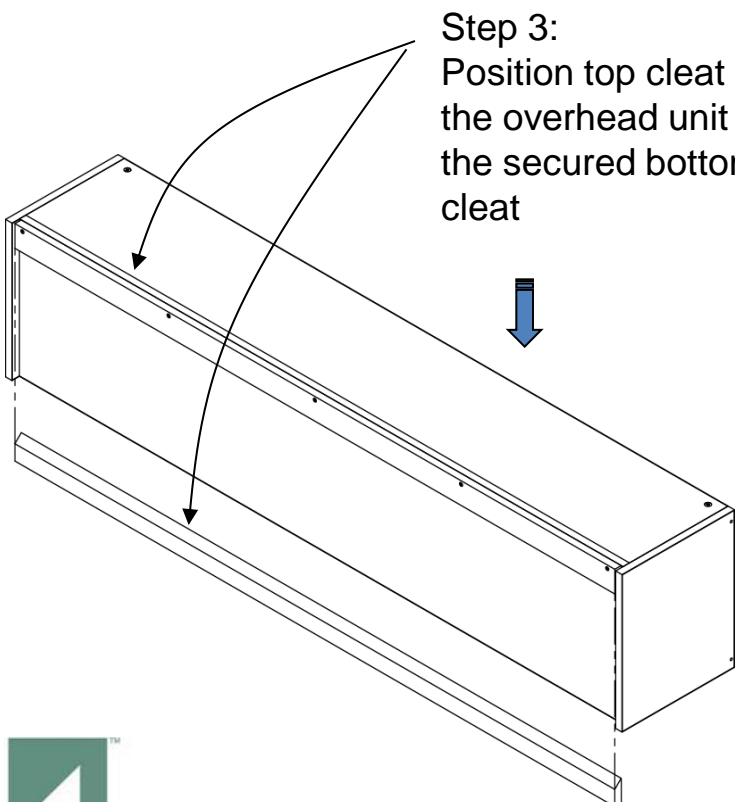
Important:

Customer must ensure the structural integrity of the wall is sufficient to support the wall mounted product. All wall mounting hardware (not included) should be securely fastened to the studs in the load bearing wall.

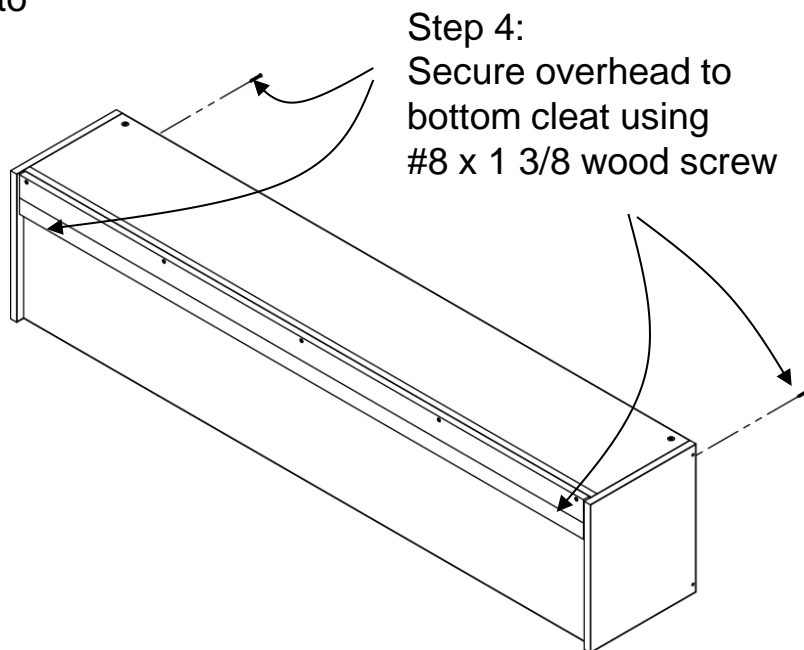


Step 1:
Remove temporary
screws and bottom
wood cleat from unit.

Step 2:
Securely mount bottom
wood cleat to wall.
(see note above)



Step 3:
Position top cleat of
the overhead unit onto
the secured bottom
cleat



Step 4:
Secure overhead to
bottom cleat using
#8 x 1 3/8 wood screw

