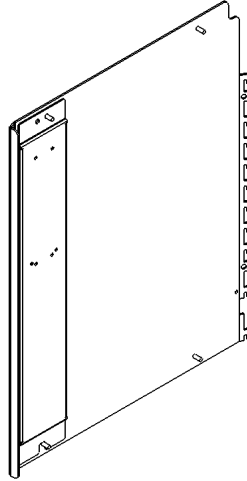
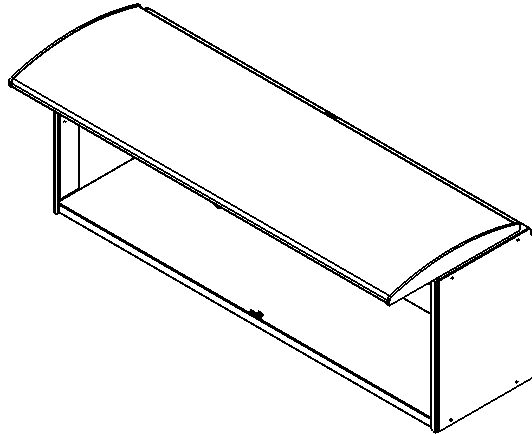


AIS Radius Flipper Door Installation Instructions – April 2007

- I) WHEN ASSEMBLING SHELVES, MOUNT EASY DOWN BASE MOUNTS ON SHELF ENDS
 - a. Use back hole and back notch for each side.
 - b. Mount on left and right sides.

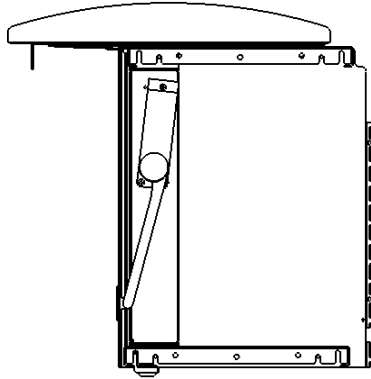


- II) BUILD SHELF NORMALLY.
- III) INSTALL FLIPPER DOOR NORMALLY.
 - a. Easy downs work with type C, D and wooden flipper doors.

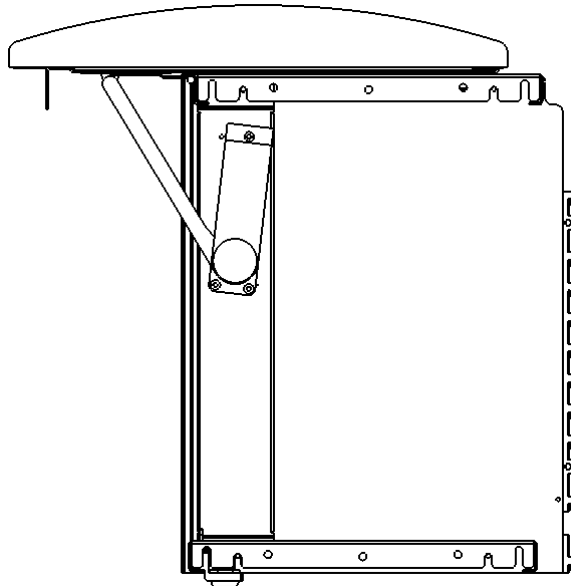


AIS Radius Flipper Door Installation Instructions – April 2007

- IV) INSTALL ONE EASY DOWN MECHANISMS ON EACH BASE MOUNTS IN SHELF
- Easy down mechanism mounts tilted with the top towards the back
 - Use three screws per mechanism in the pre-drilled holes



- V) RAISE EASY DOWN ARMS UP TO FLIPPER DOOR SURFACE
- Repeat on each side.



AIS Radius Flipper Door Installation Instructions – April 2007

- VI) SCREW EASY DOWN ARMS TO THE FLIPPER DOOR
- a. If no pre-drilled holes exist in the flipper door (wood doors or type C) then use self drilling screws and place screws at front edge of easy down slots.
 - b. Repeat on each side.
 - c. Test easy down mechanism. If it does not close evenly, then adjust position of screws in slot.
 - d. The door will not sit flat on the top of the bin when adjusted. A 10 degree tilt up is normal for this installation.

