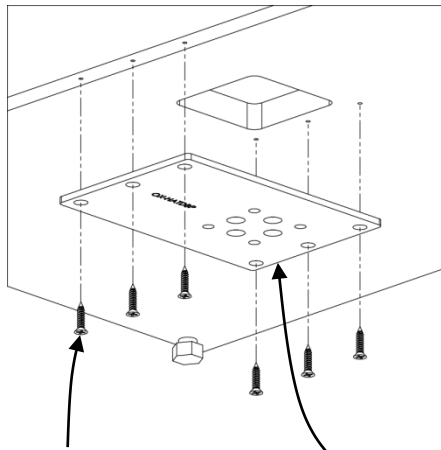


# Calibrate Installation

## HAT Base with Storage

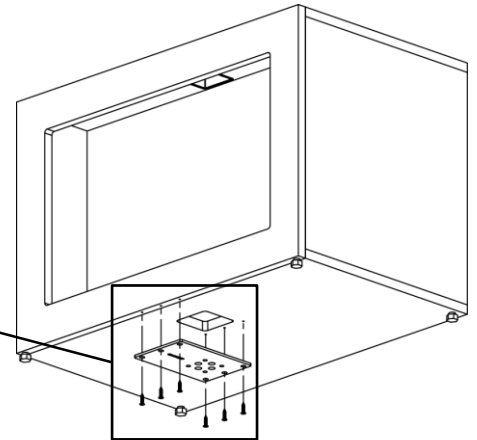
### Step 1:

Install HAT plate(s) to bottom of Calibrate storage pieces(s)



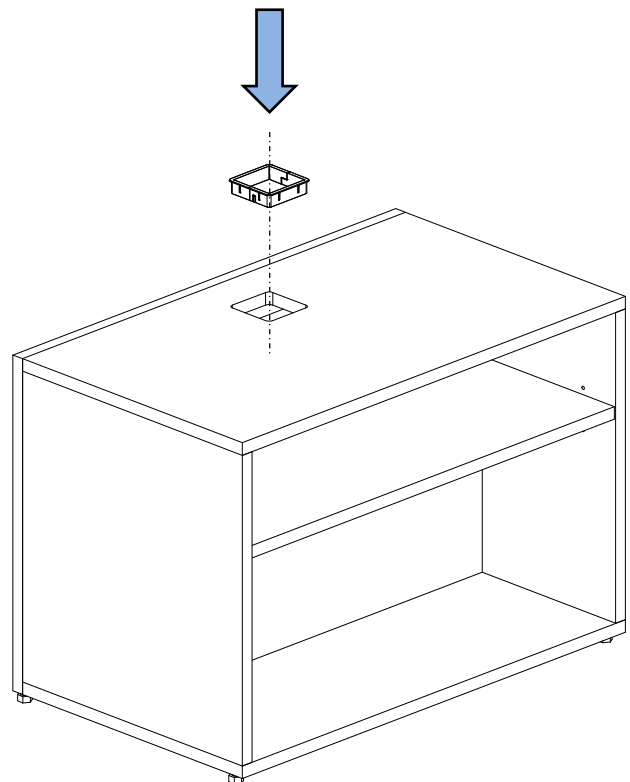
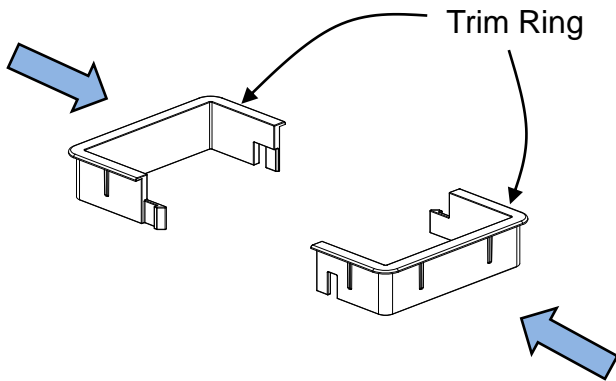
HAT Plate  
OX-HATDBP

#9 x 7/8" long  
Flat head screw  
#2 Philips drive  
6 places  
RH-QS0978



### Step 2:

Install Trim Ring(s) to top of Calibrate storage pieces(s)

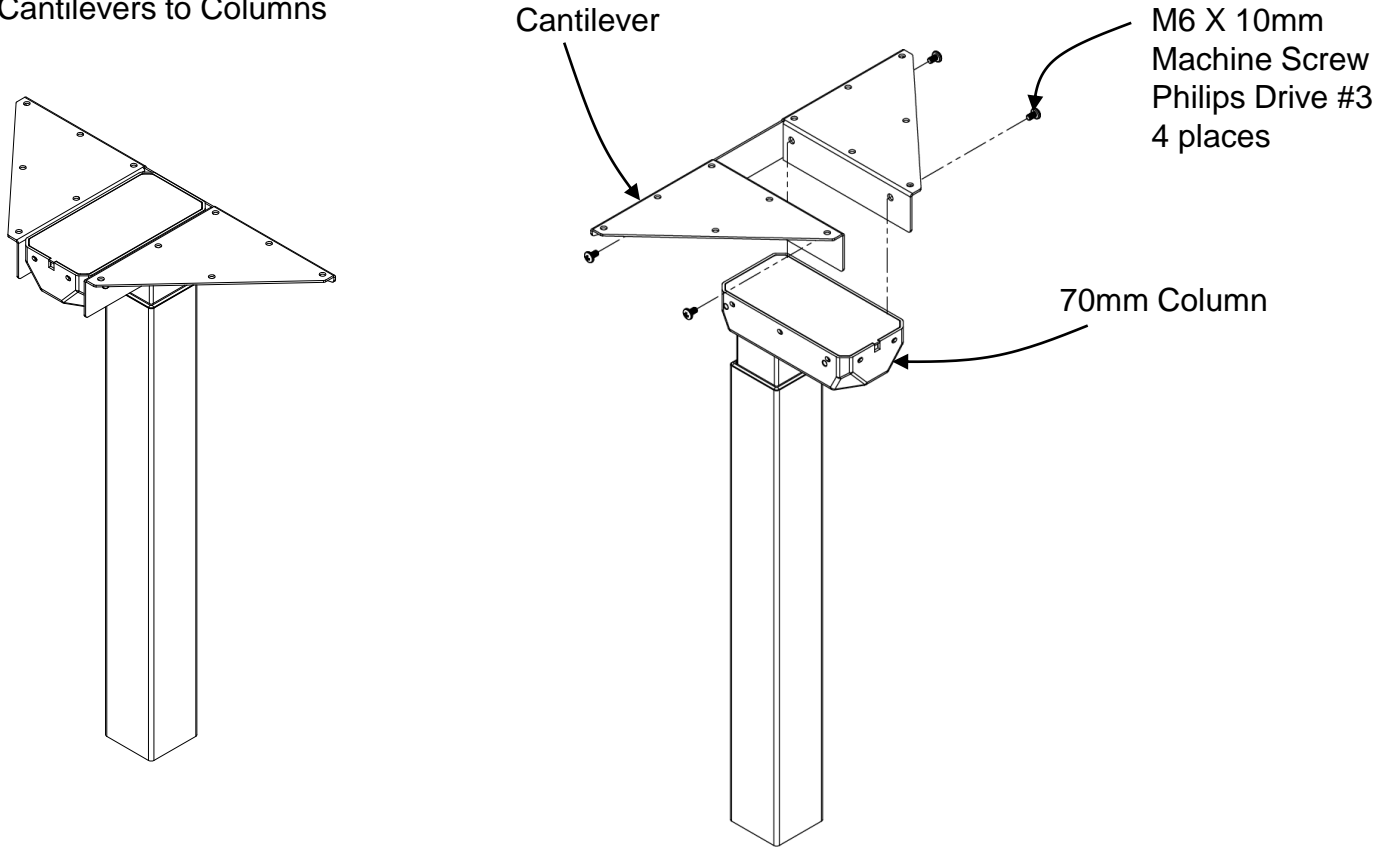


# Calibrate Installation

## HAT Base with Storage

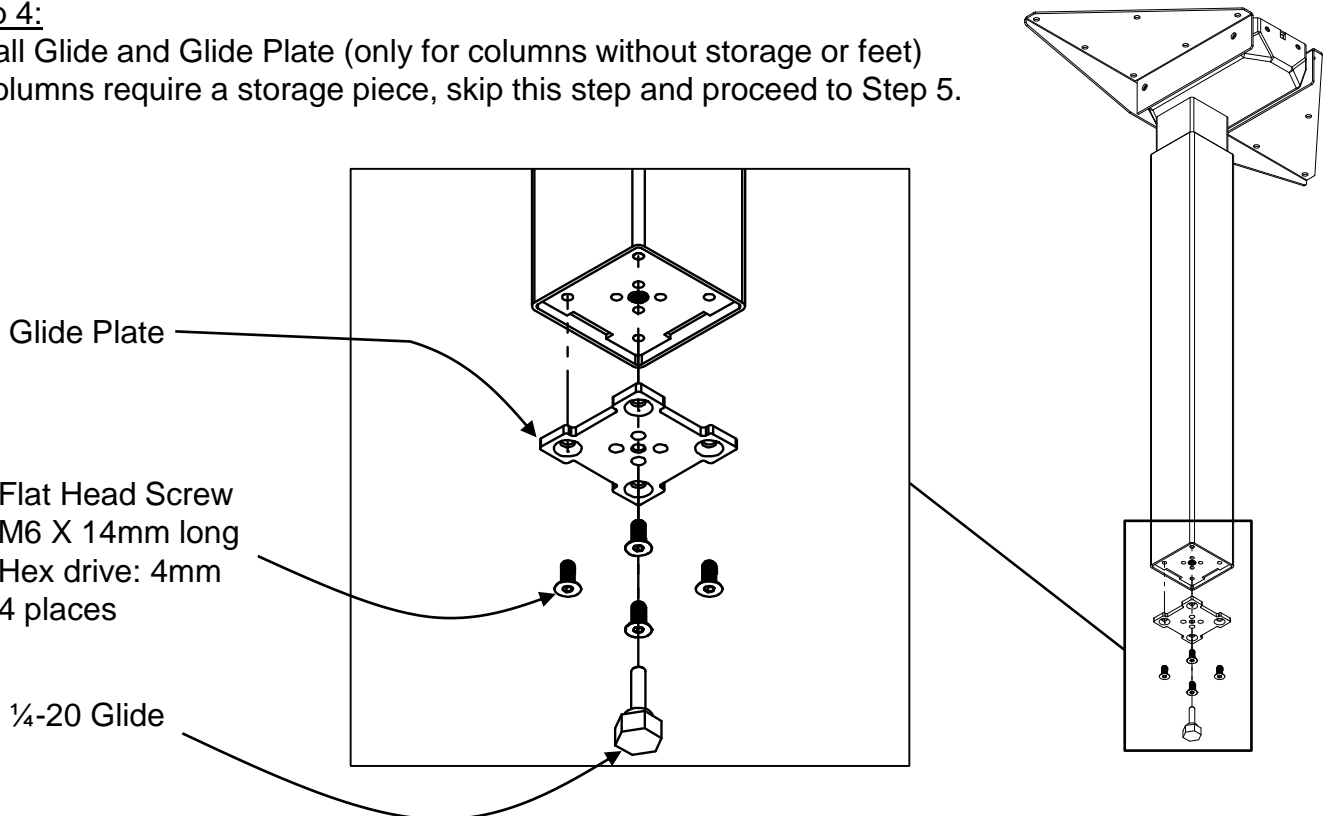
### Step 3:

Install Cantilevers to Columns



### Step 4:

Install Glide and Glide Plate (only for columns without storage or feet)  
If Columns require a storage piece, skip this step and proceed to Step 5.

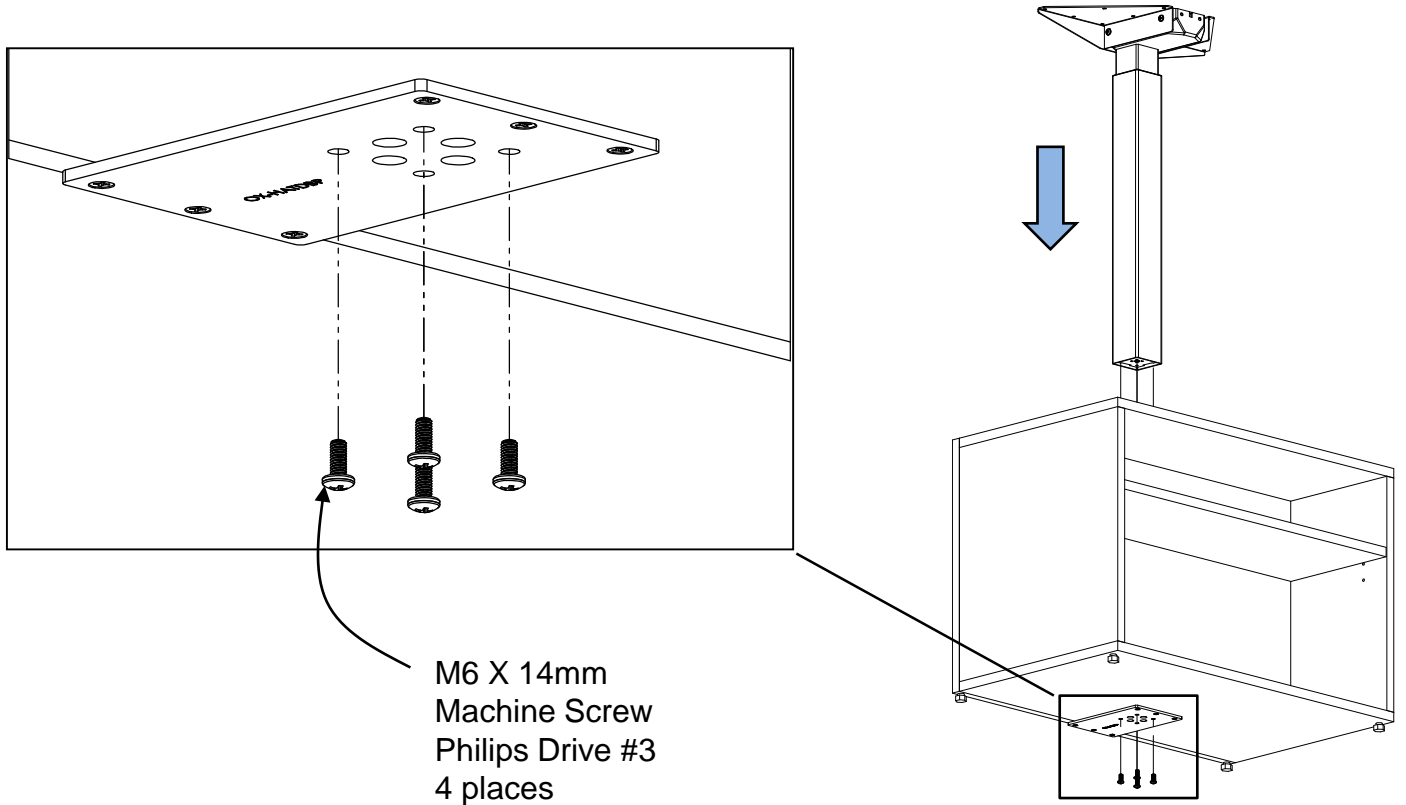


# Calibrate Installation

## HAT Base with Storage

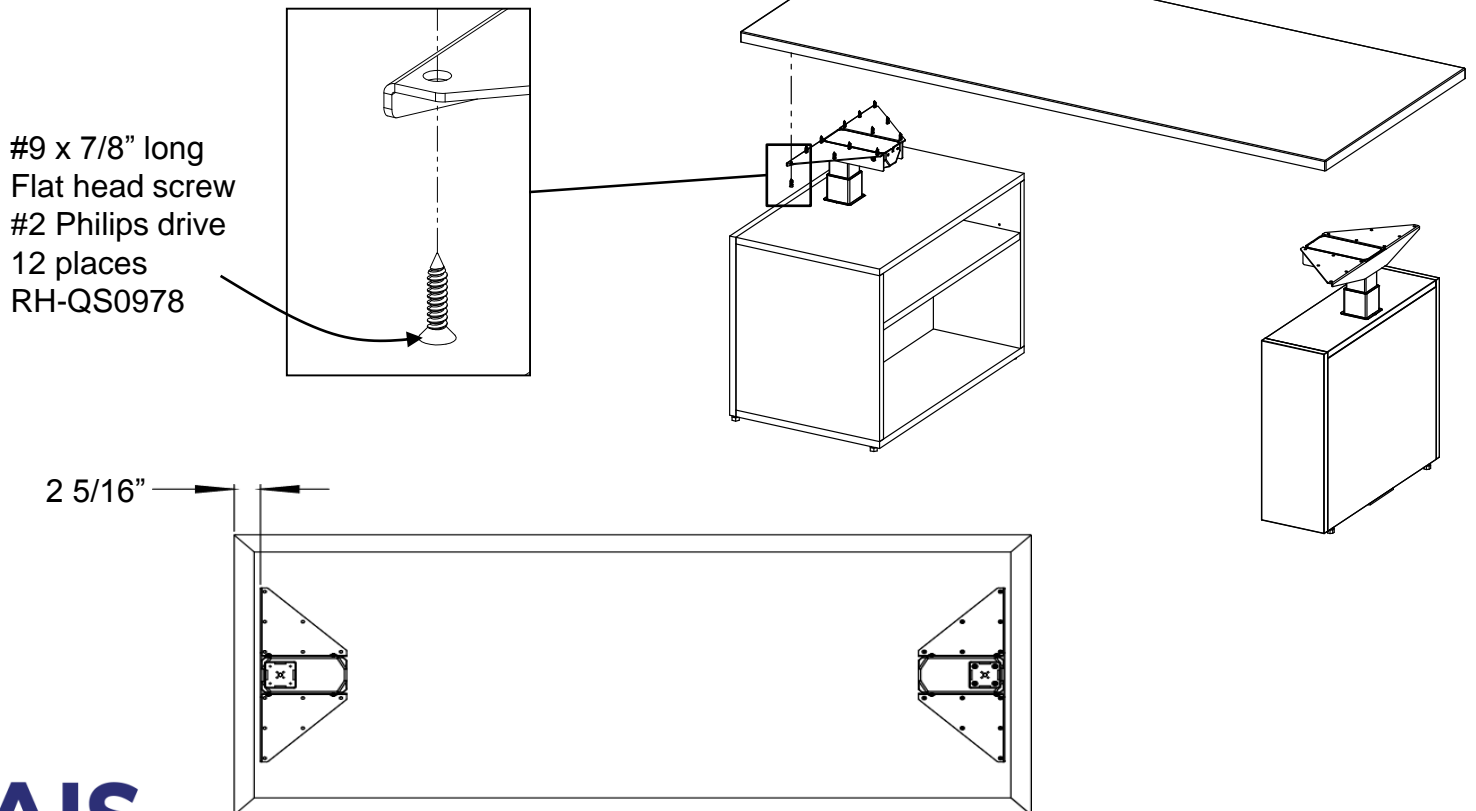
### Step 5:

Install Column(s) to Calibrate storage piece(s)



### Step 6:

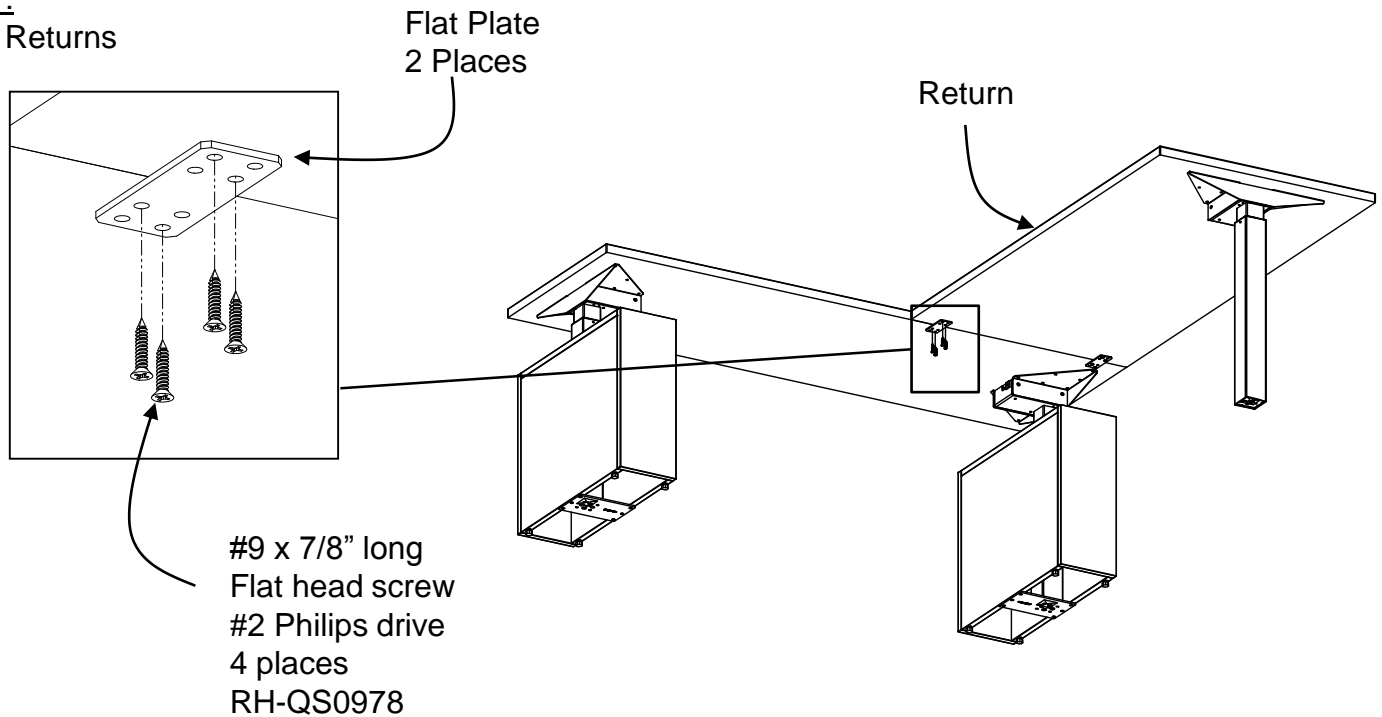
Install Worksurface(s)



# Calibrate Installation

# HAT Base with Storage

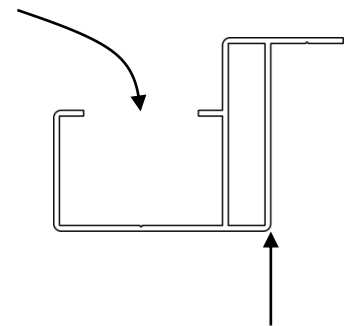
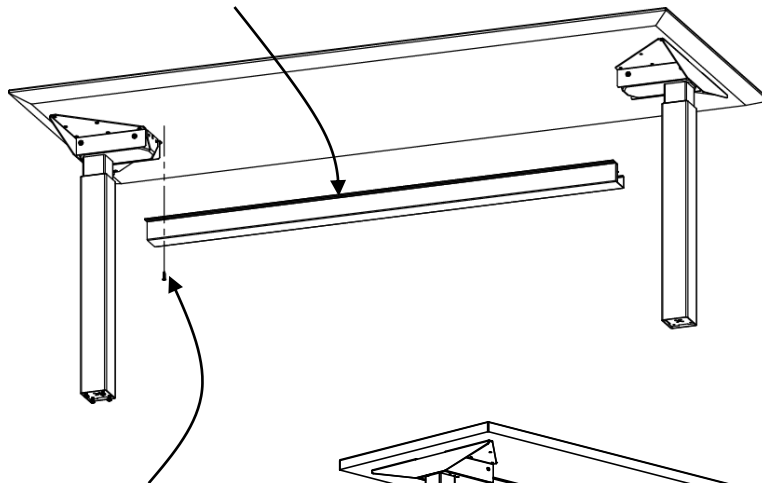
## Step 7: Install Returns



## Step 8: Install trough(s) to worksurface. Symmetrically center trough horizontally between the 2 columns. (views shown here without storage for clarity)

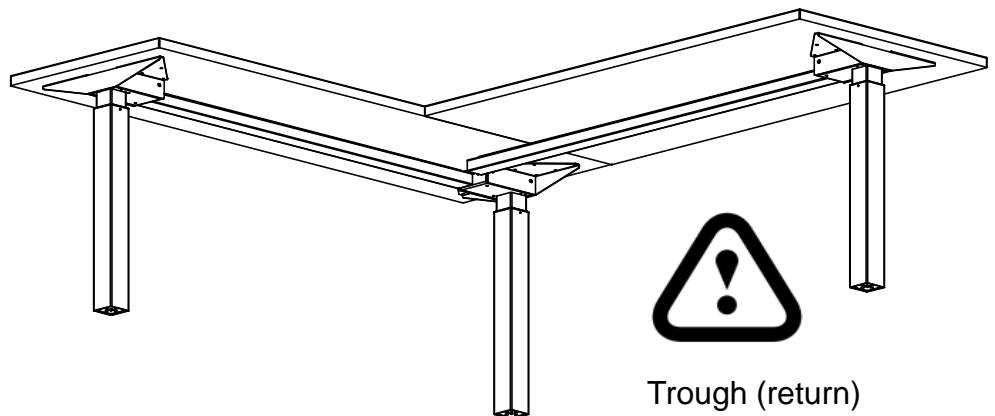
Mount trough so  
that this opening  
is on user side

Trough  
Length = Worksurface width – 20 1/8"



Align this edge with Cantilever  
edge so that the trough is off-  
centered from the worksurface

#9 x 7/8" long  
Flat head screw  
#2 Philips drive  
6 places  
RH-QS0978



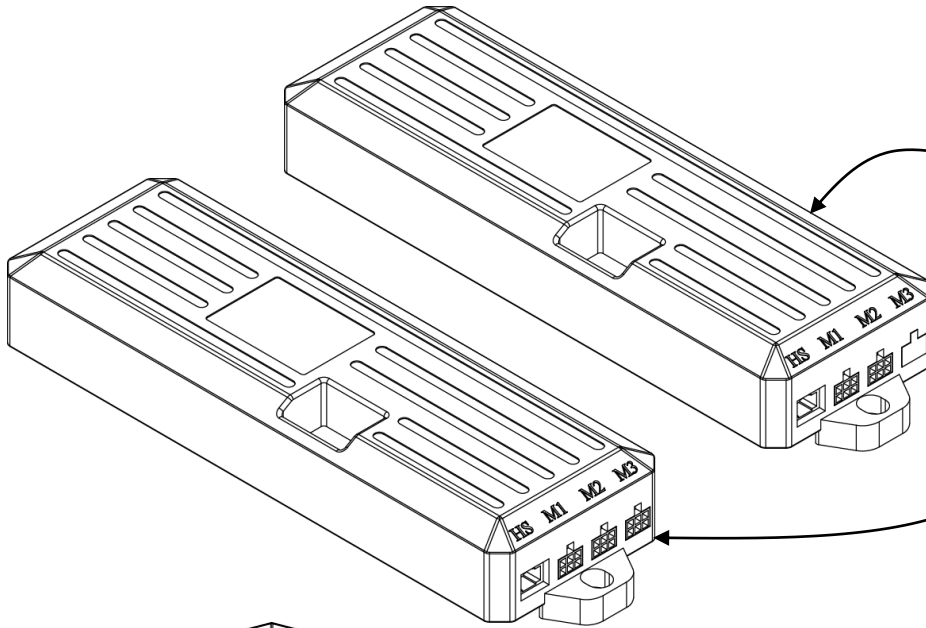
Trough (return)  
Length = Return width + 8"

# Calibrate Installation

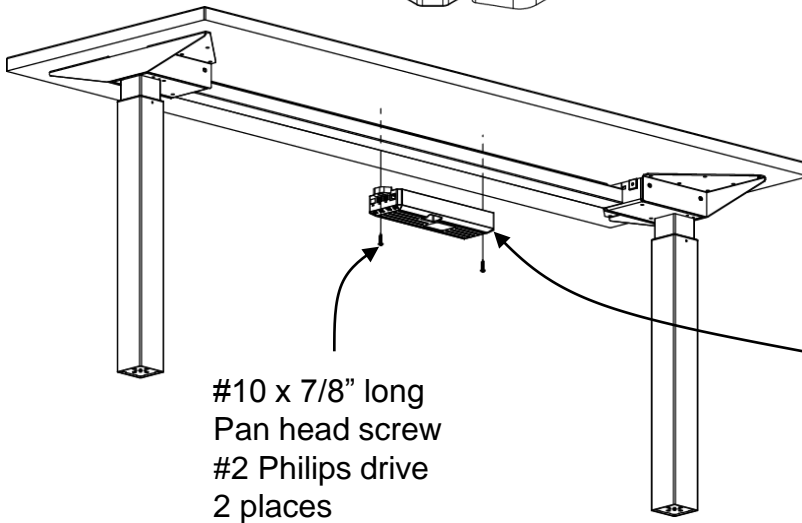
## HAT Base with Storage

### Step 9:

Install Control Box. (views shown here without storage for clarity)

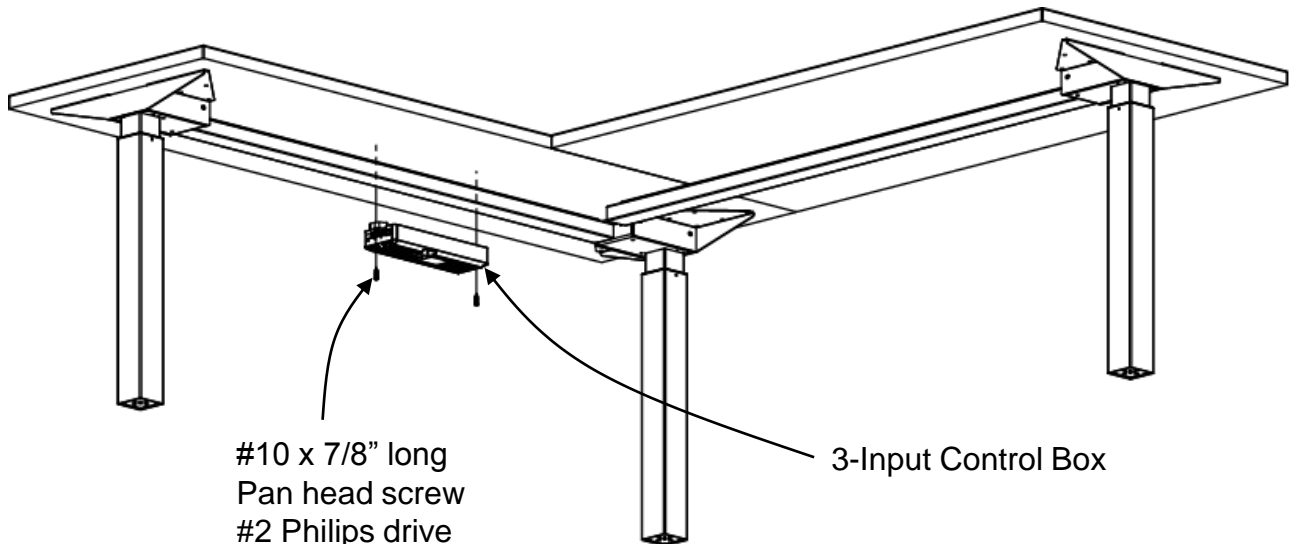


- For 2 leg configurations:  
Use a 2-Input Control Box
- For 3 leg configurations:  
Use a 3-Input Control Box



#10 x 7/8" long  
Pan head screw  
#2 Philips drive  
2 places

2-Input Control Box



#10 x 7/8" long  
Pan head screw  
#2 Philips drive  
2 places

3-Input Control Box

# Calibrate Installation

## HAT Base with Storage

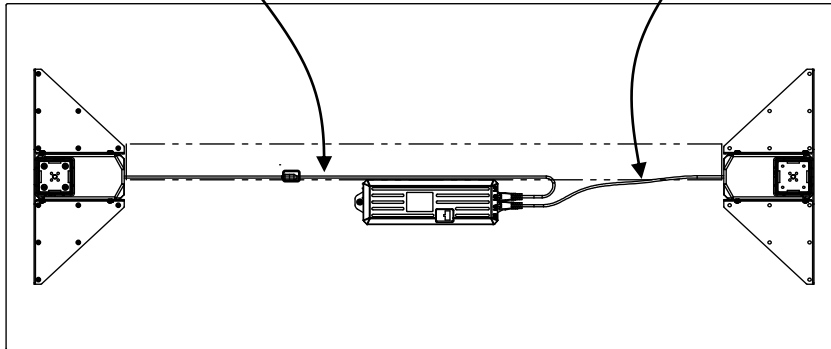
### Step 10:

Connect columns to control box.

Connect Leg 2 to Port M2

- Use 1.3M cable

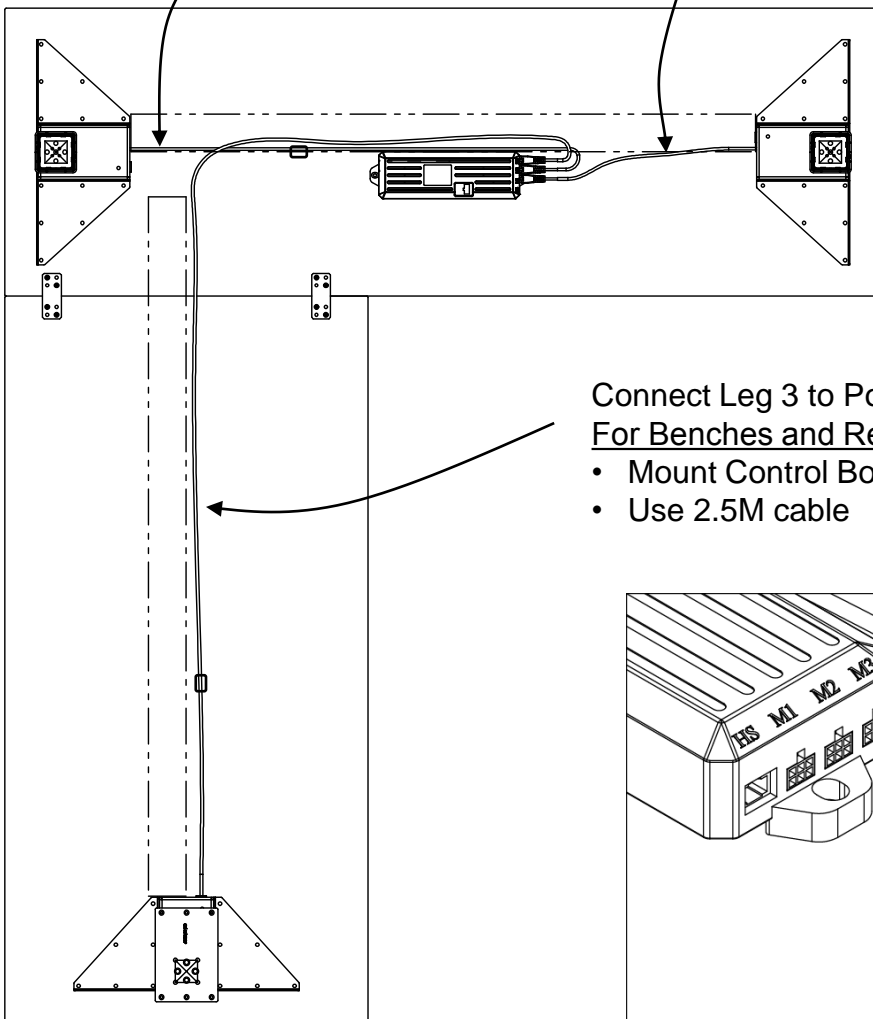
Connect Leg 1 to Port M1



Connect Leg 2 to Port M2

- Use 1.3M cable

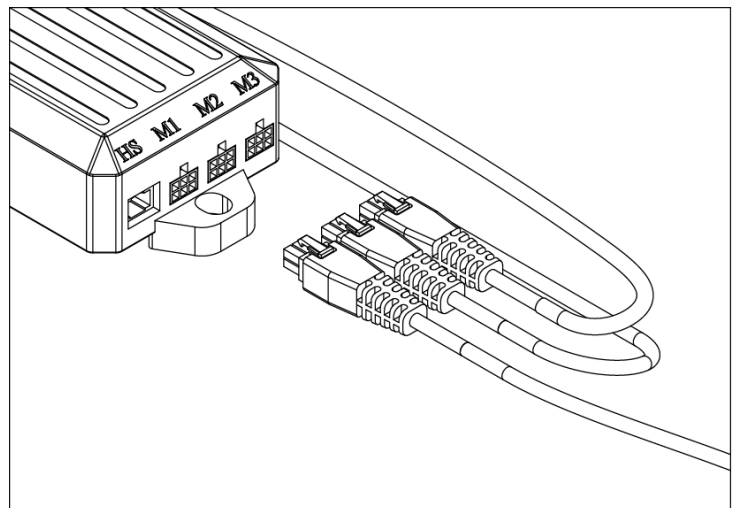
Connect Leg 1 to Port M1



Connect Leg 3 to Port M3

For Benches and Return 78" or longer:

- Mount Control Box off-center
- Use 2.5M cable



# Calibrate Installation

## HAT Base with Storage

Step 11:  
Connect hand switch.

