

**\*\*\*READ ALL INSTRUCTIONS BEFORE USING\*\*\***

- For commercial use only.
- Warning: Risk of Injury – Maximum load 275 lbs. 2 leg, 325 lbs. 3 leg
- Electrical rating: 120V, 60Hz, 16 AMP
- No more than 12 furnishings can be connected on one branch circuit.

### IMPORTANT SAFETY INSTRUCTIONS

DANGER – To reduce risk of electric shock:

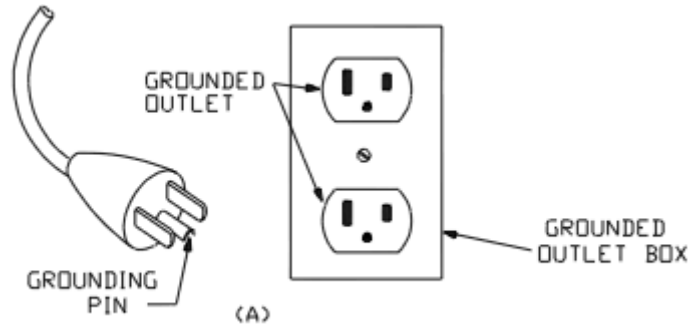
- Always unplug furnishing from the electrical outlet before cleaning.

WARNING – To reduce the risk of burns, fire, electric shock, or injury to persons:

- Unplug from outlet before putting on or taking off parts.
- Close supervision is necessary when this furnishing is used by, or near children, invalids or disabled persons.
- Use this furnishing only for its intended use as described in these instructions. Do not use attachments not recommended by the manufacturer.
- Never operate this furnishing if it has a damaged cord or plug, if it is not working properly, if it has been dropped or damaged, or dropped into water.
- Keep the cord away from heated surfaces.
- Never operate the furnishing with the air openings blocked. Keep the air openings free of lint, hair and the like.
- Do not use outdoors.
- To disconnect, turn all controls to the off position, then remove plug from outlet.
- Connect to a properly grounded outlet only. See grounding instructions.
- For loading always put heavier items at the bottom and not near the top in order to help prevent the possibility of the furnishing tipping over.

## GROUNDING INSTRUCTIONS

This product is for use on a circuit having a nominal rating more than 120 volts and is factory-equipped with specific electric plug to permit connection to a proper electric circuit. Make sure that the product is connected to an outlet having the same configuration as the plug. No adapter should be used with this product

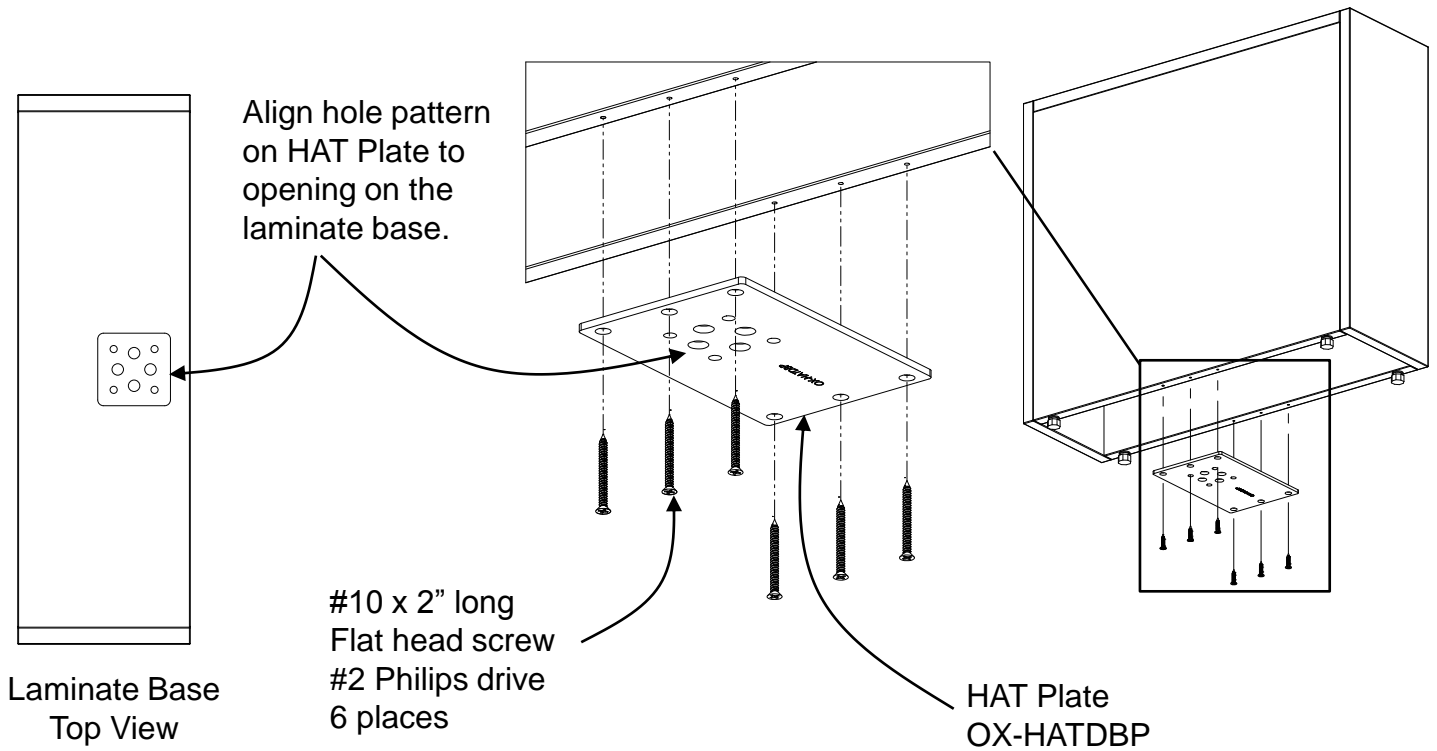


# Calibrate Installation

## Executive Desk

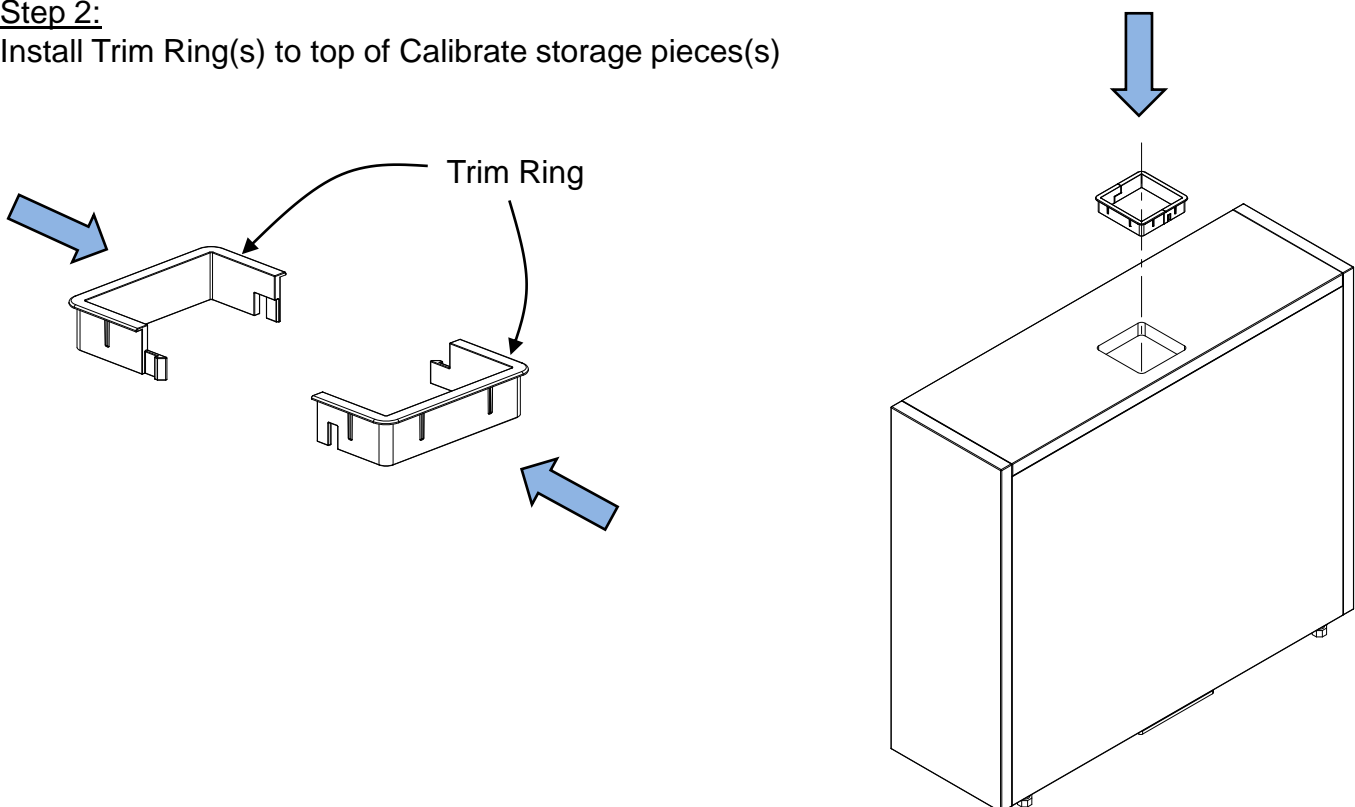
### Step 1:

Install HAT plate(s) to bottom of Calibrate storage pieces(s)



### Step 2:

Install Trim Ring(s) to top of Calibrate storage pieces(s)

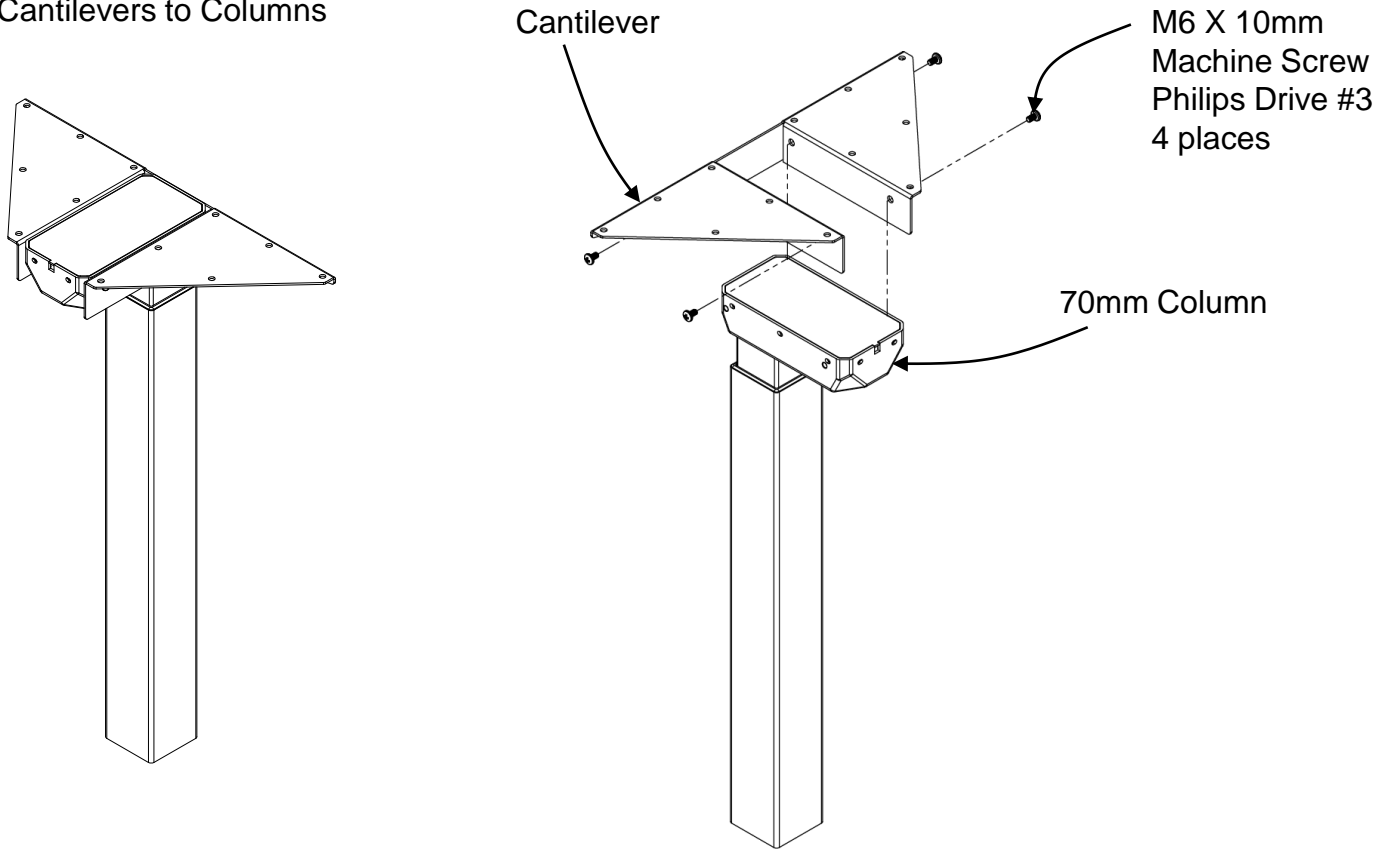


# Calibrate Installation

## Executive Desk

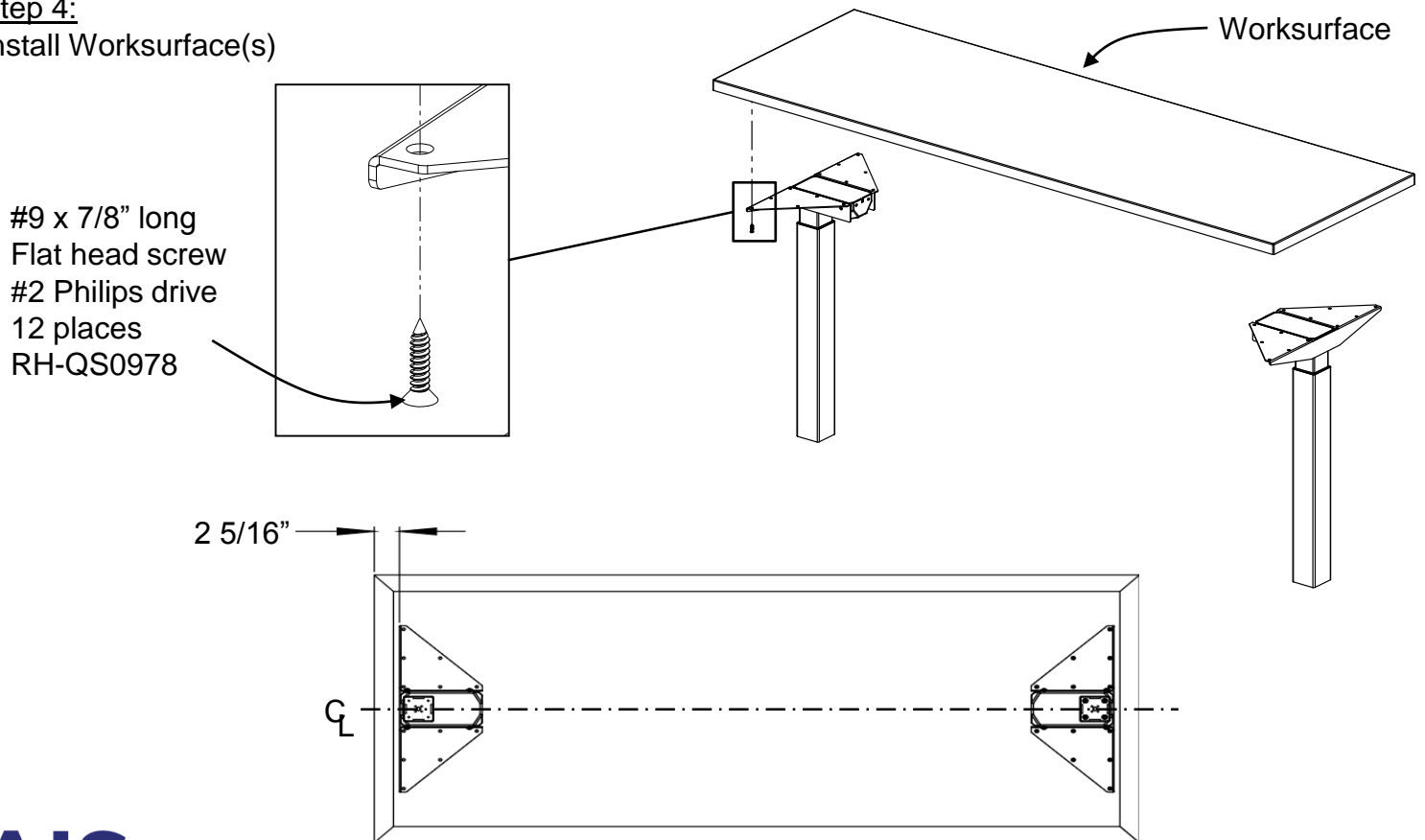
### Step 3:

Install Cantilevers to Columns



### Step 4:

Install Worksurface(s)

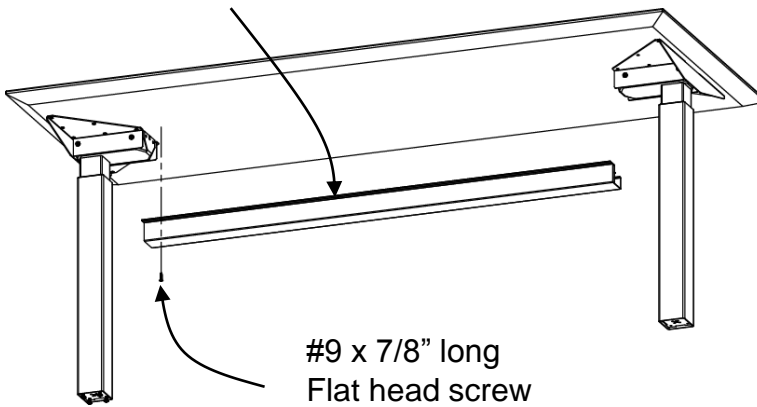


# Calibrate Installation

## Step 5:

Install trough(s) to worksurface. Symmetrically center trough horizontally between the 2 columns.  
(views shown here without storage for clarity)

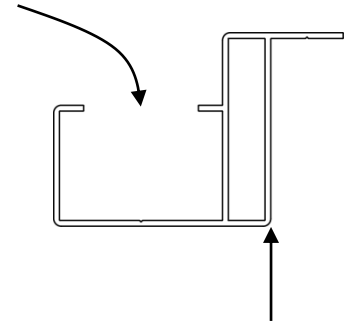
Trough  
Length = Worksurface width – 20 1/8"



#9 x 7/8" long  
Flat head screw  
#2 Philips drive  
6 places  
RH-QS0978

# Executive Desk

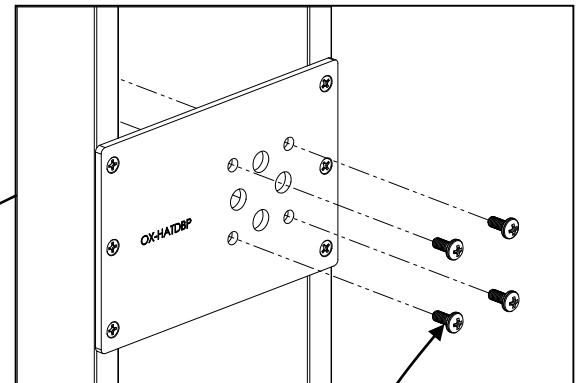
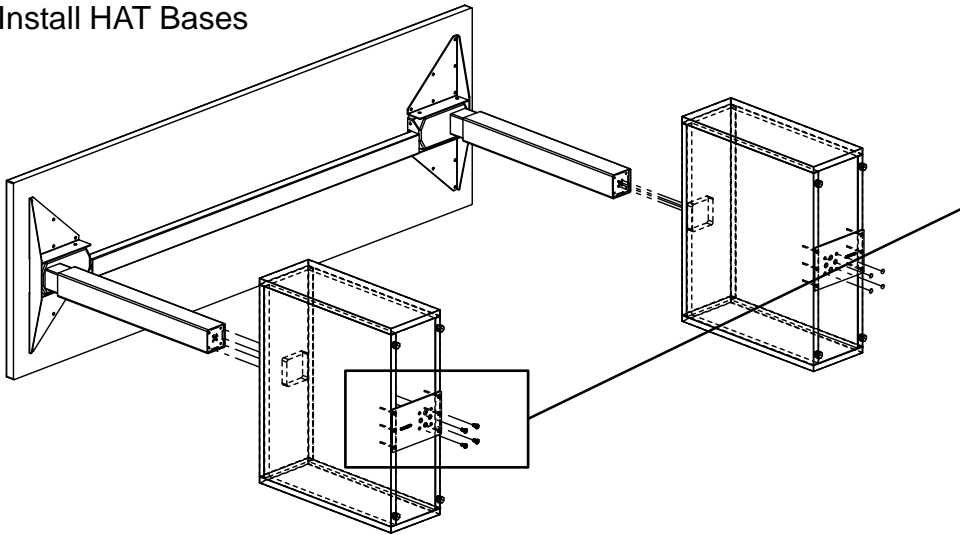
Mount trough so that this opening is on user side



Align this edge with Cantilever edge so that the trough is off-centered from the worksurface

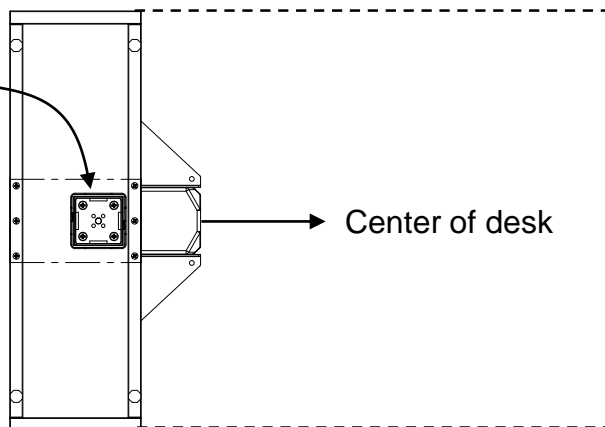
## Step 6:

Install HAT Bases



M6 X 14mm  
Machine Screw  
Philips Drive #3  
8 places

OFFSET



Center of desk

Orientate base cabinet such that the leg is inboard toward the center of the desk



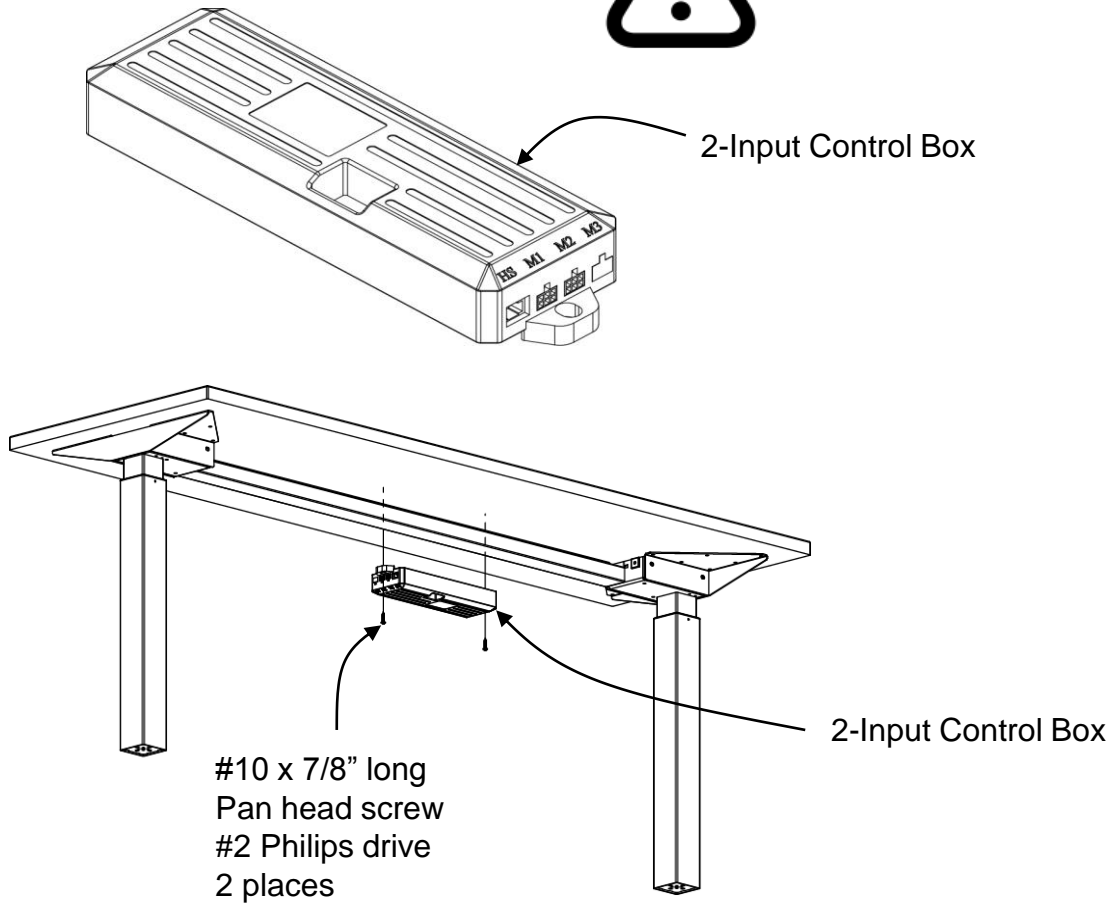
# Calibrate Installation

## Executive Desk

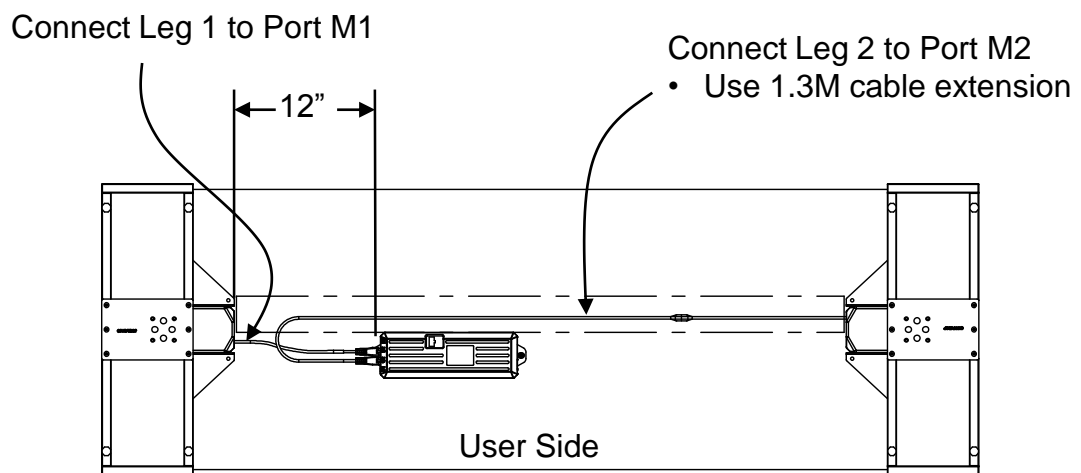
Step 7:  
Install Control Box.



HAT Bases not shown for clarity



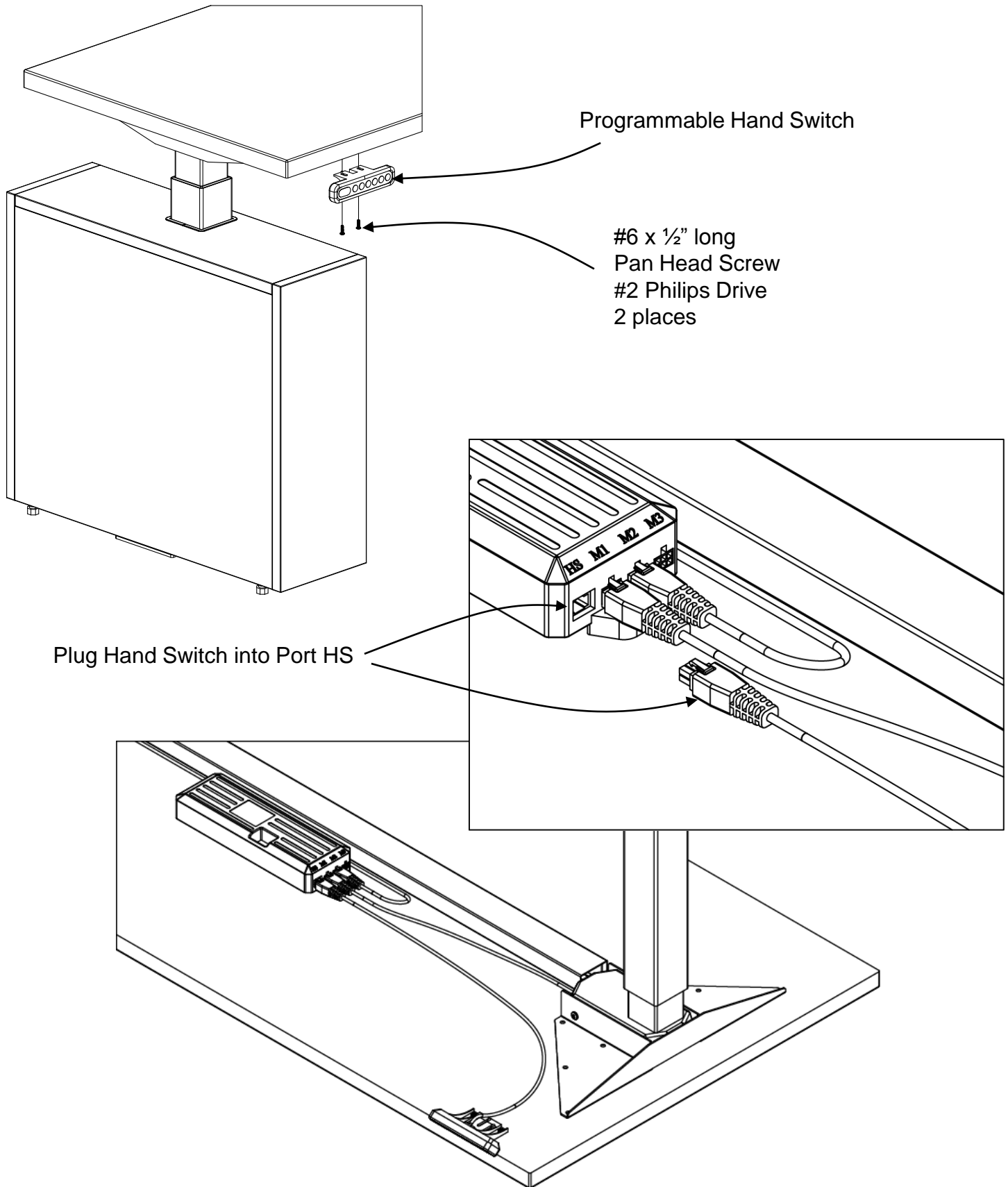
Step 8:  
Connect columns to control box.



# Calibrate Installation

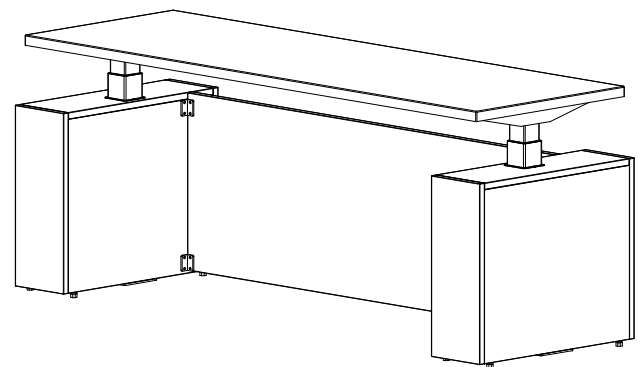
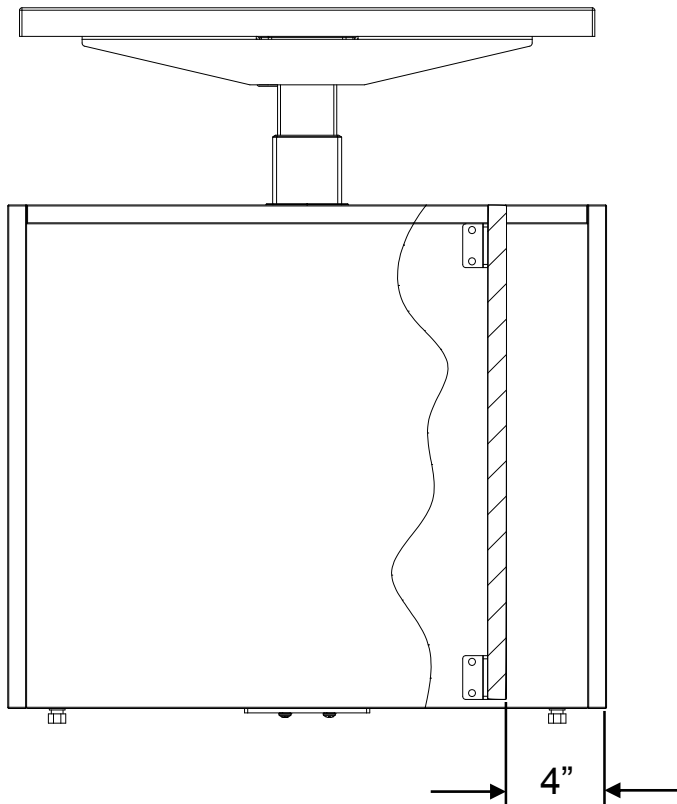
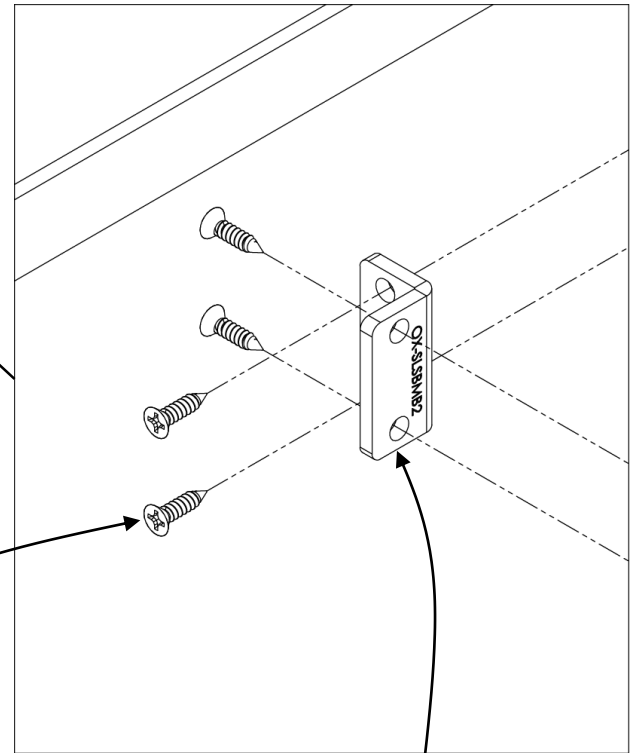
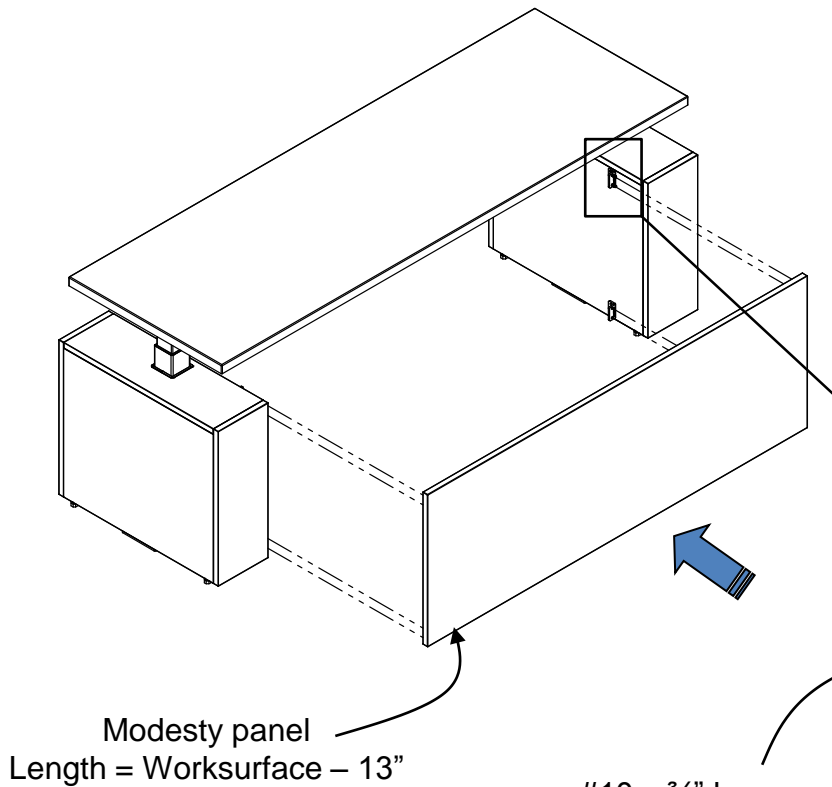
## Executive Desk

Step 9:  
Connect hand switch.



# Calibrate Installation

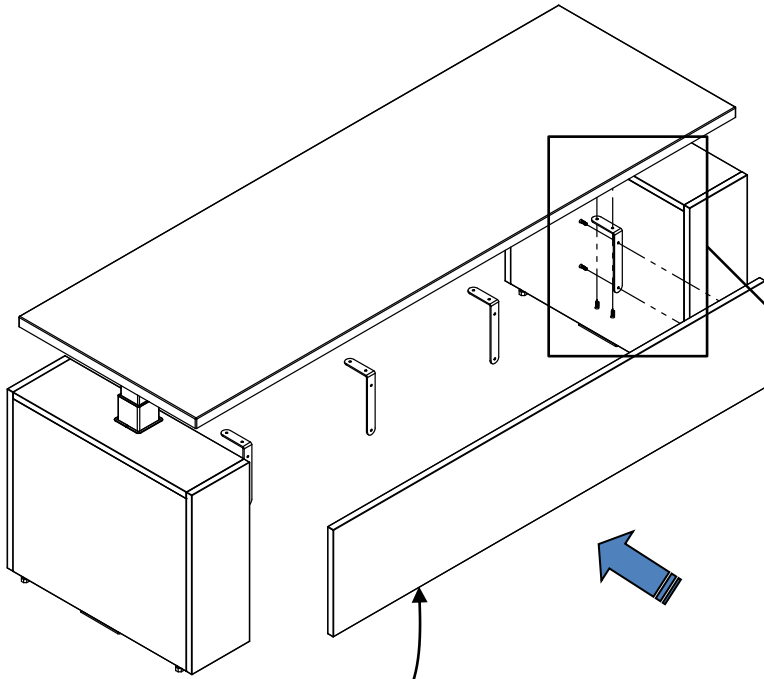
# Fixed Modesty





# Calibrate Installation

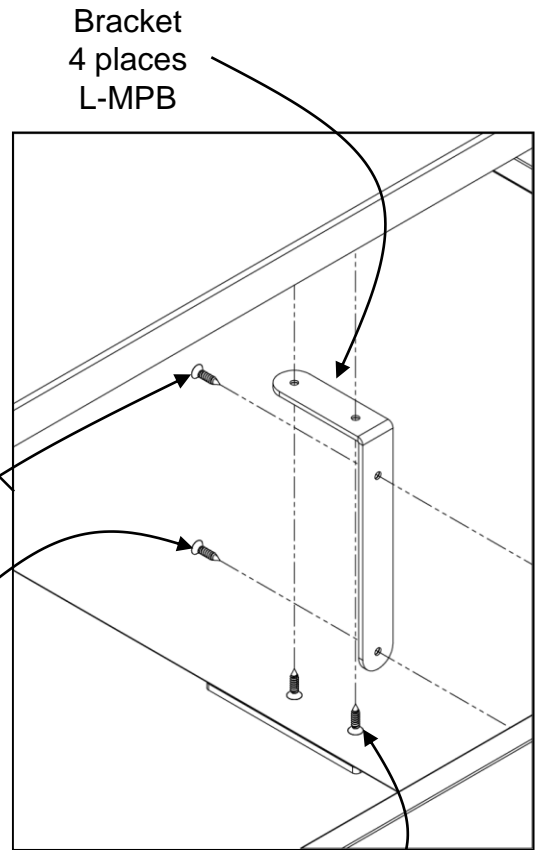
# Suspended Modesty



Modesty panel  
Length = Worksurface - 14"

#10 x 3/4" long  
Flat head wood screw  
#2 Philips drive 8 places  
RH-WSFP1034

(Do not use worksurface screw!)



Bracket  
4 places  
L-MPB

#9 x 7/8" long  
Flat head screw  
#2 Philips drive  
8 places  
RH-QS0978

