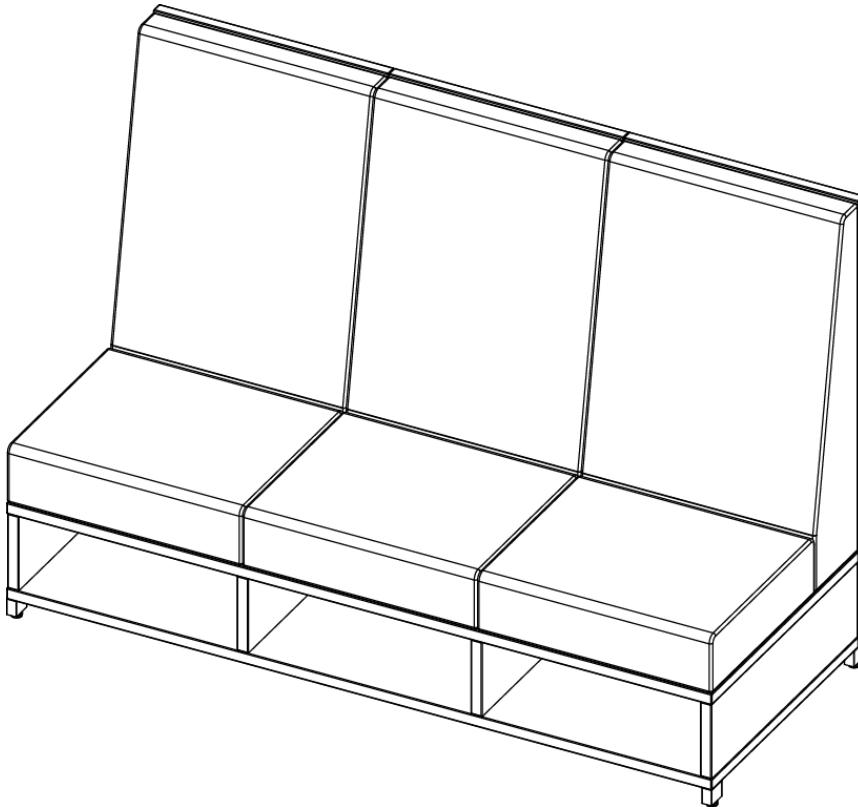
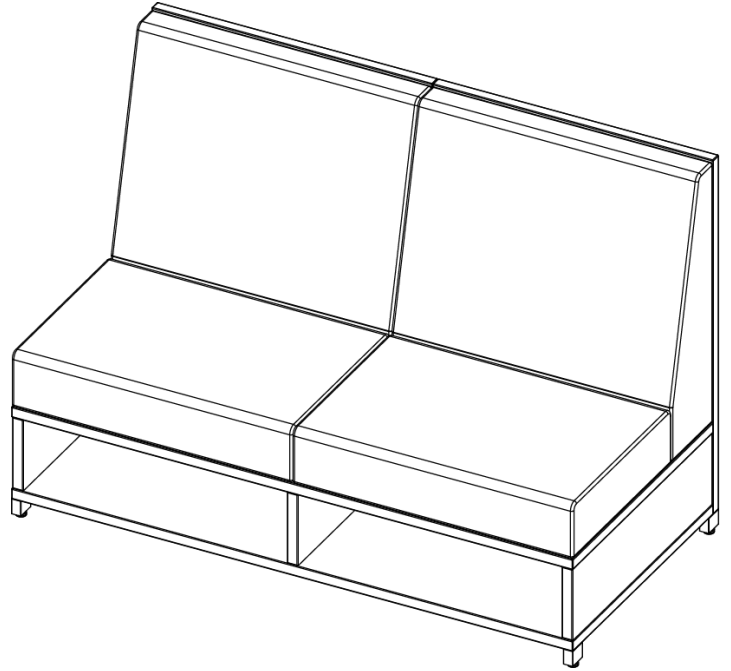
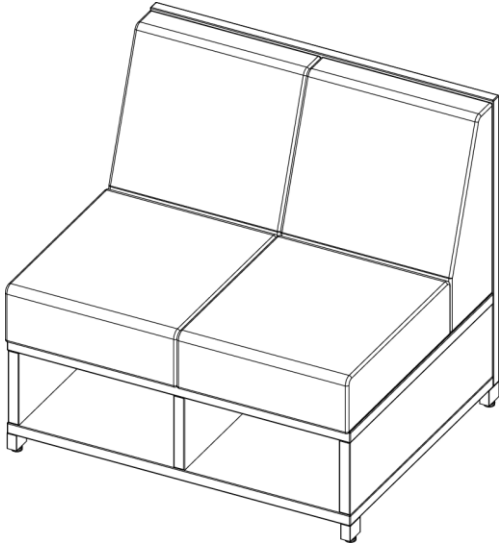


LB Lounge Installation

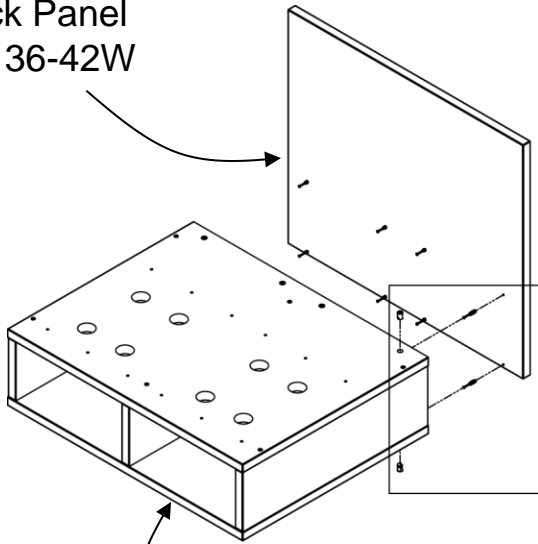


Date	Page No.	Description of change	Name
2/1/18	1-7	Originated	S. Powers

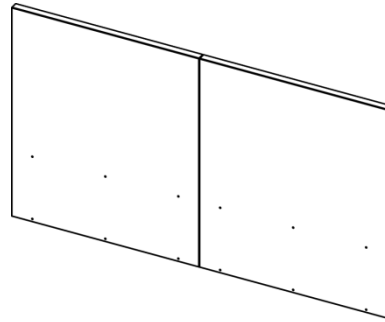
LB Lounge Installation

Back Panel Install

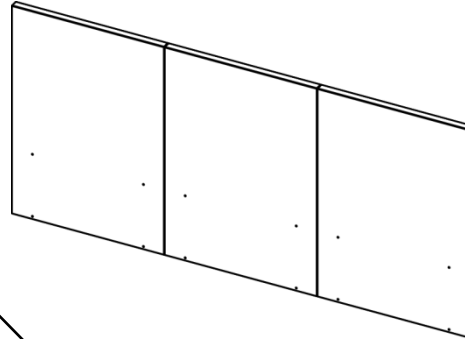
Back Panel
For 36-42W



Lounge Base

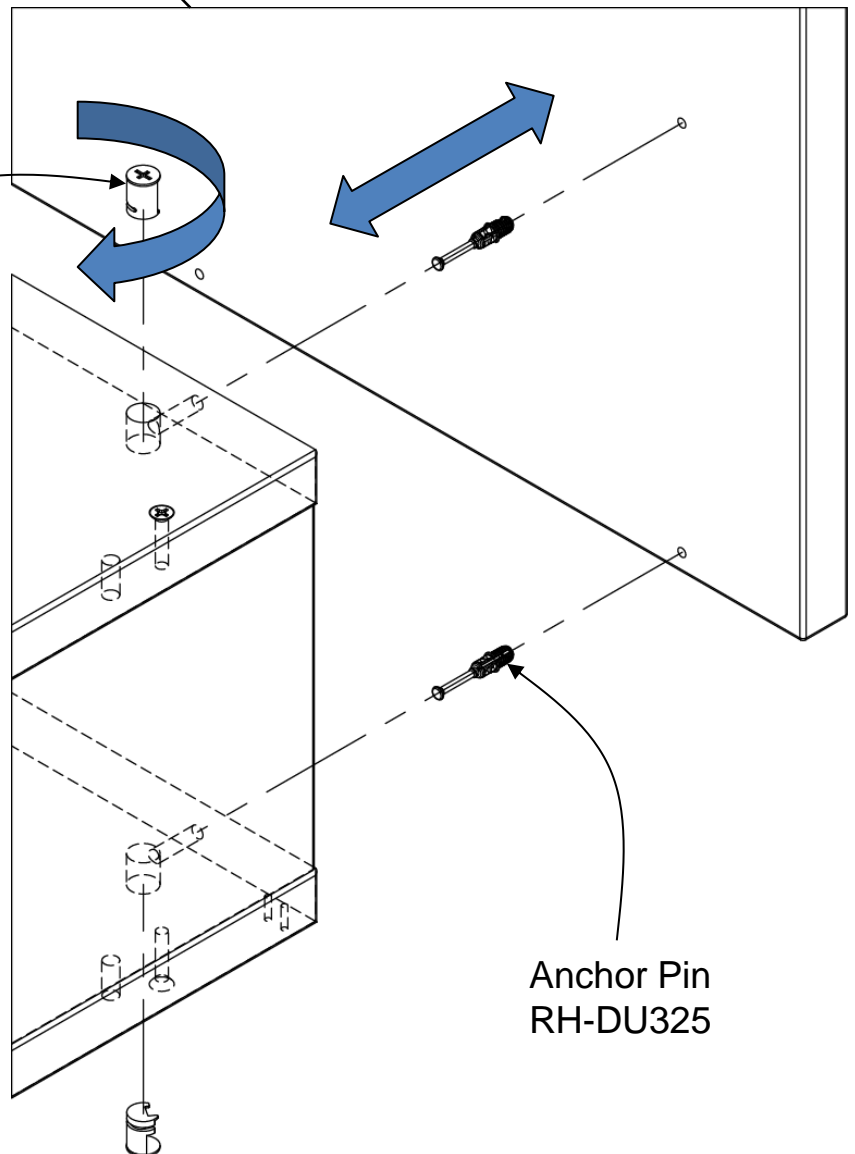


Back Panels
For 48-60W



Back Panels
For 66-72W

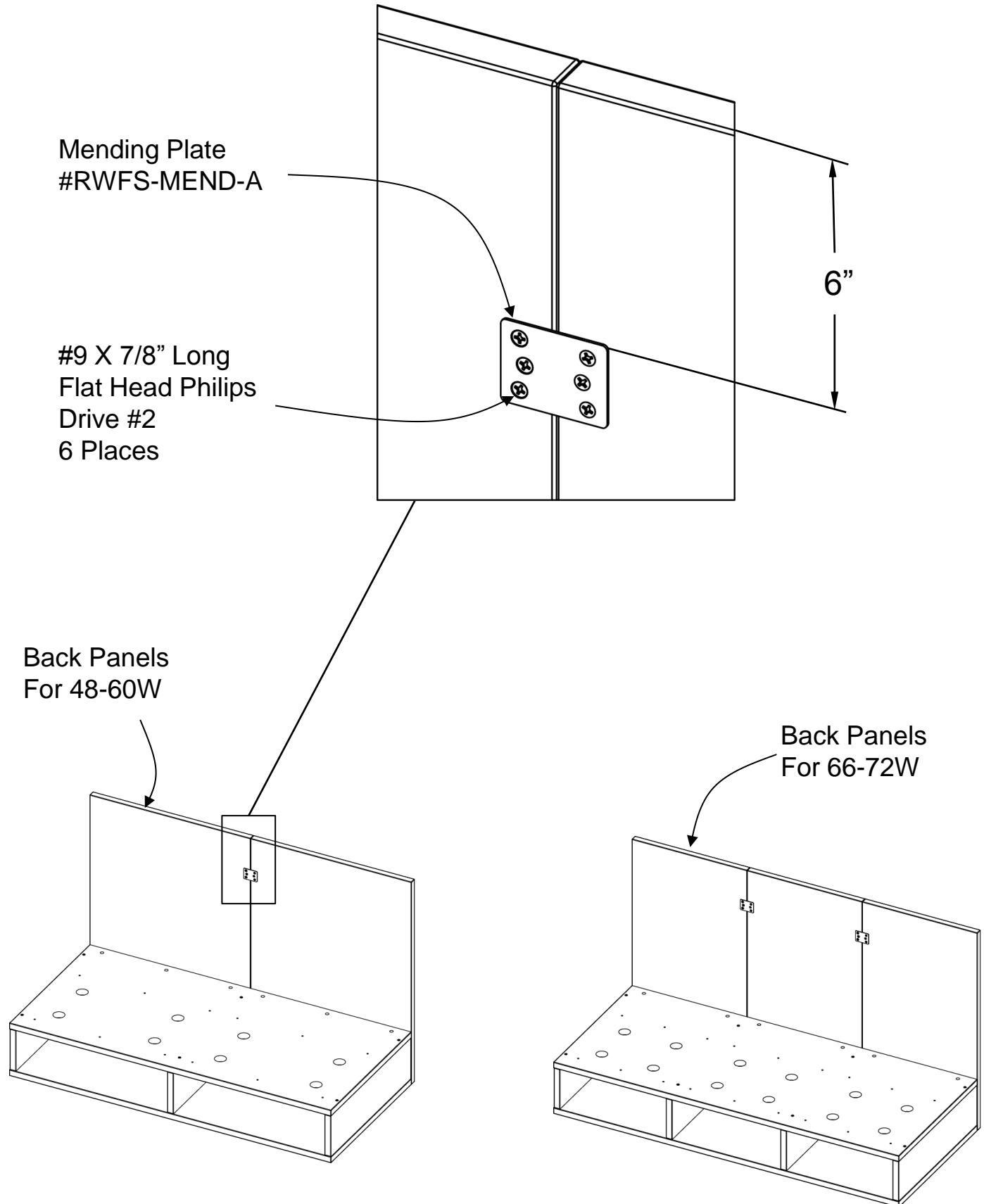
Cam Bushing
RH-9056601

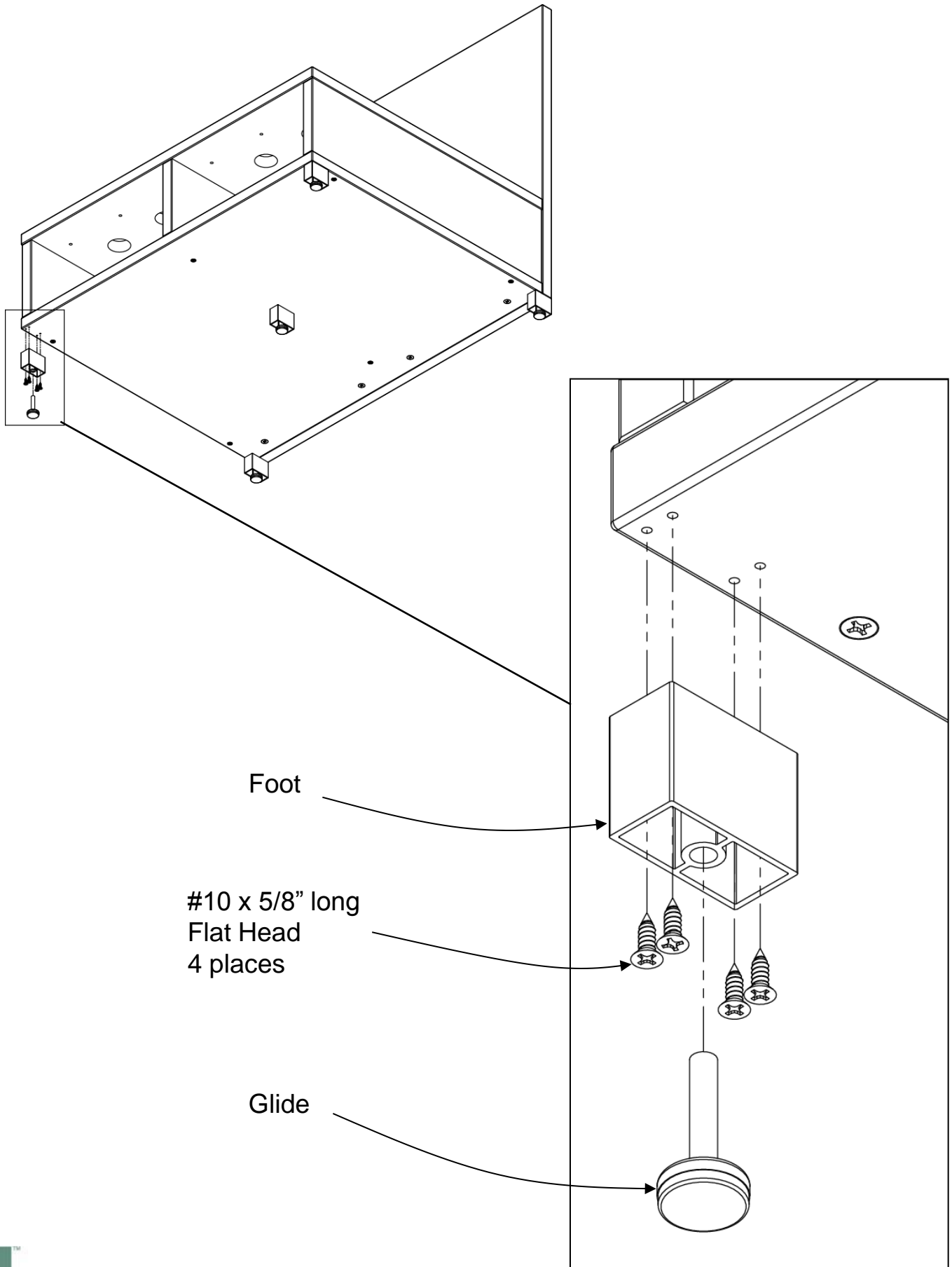


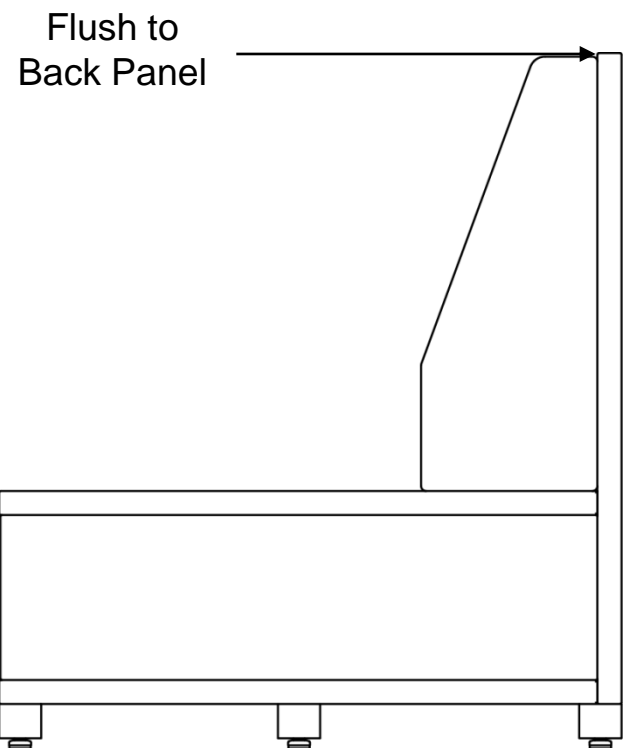
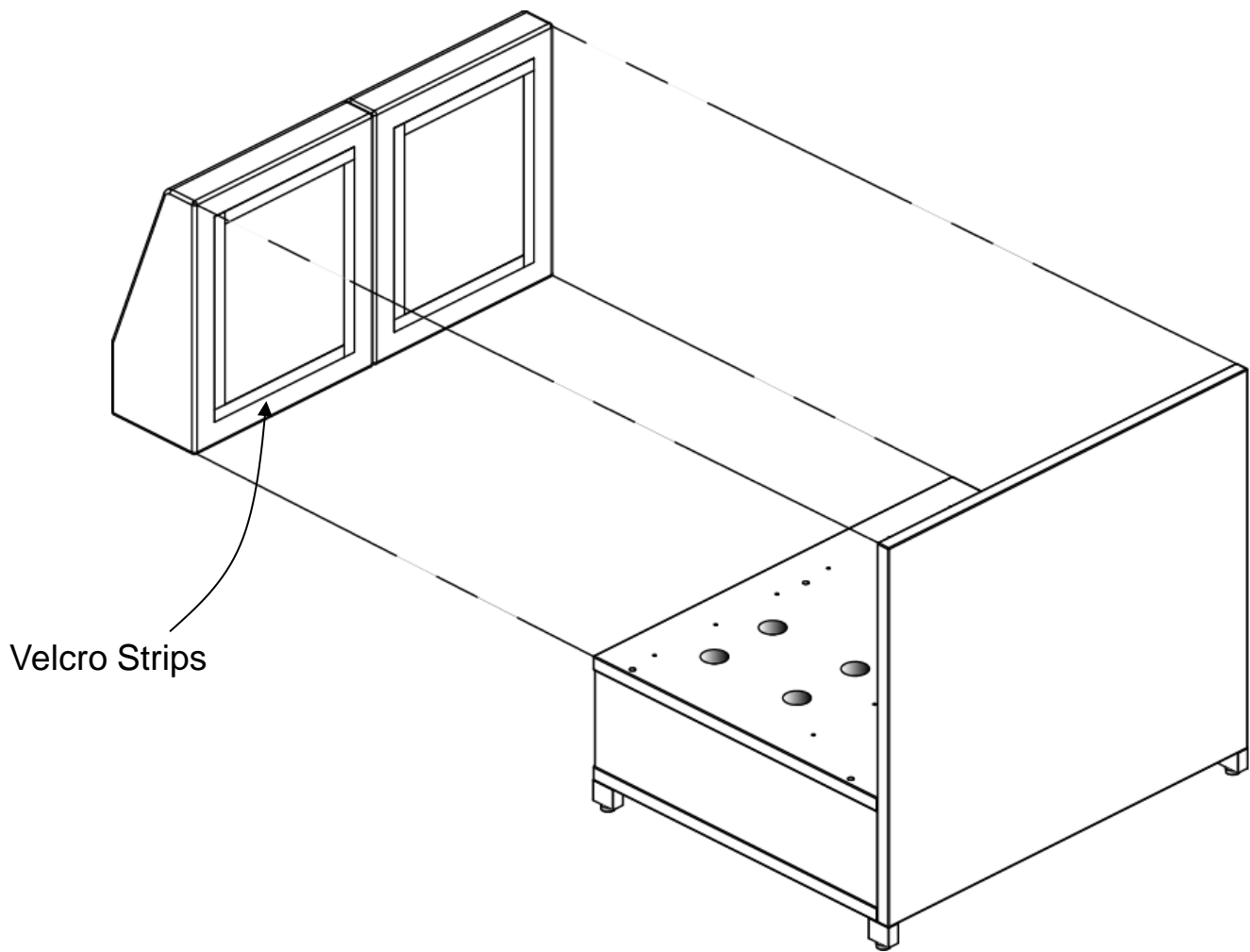
Anchor Pin
RH-DU325

LB Lounge Installation

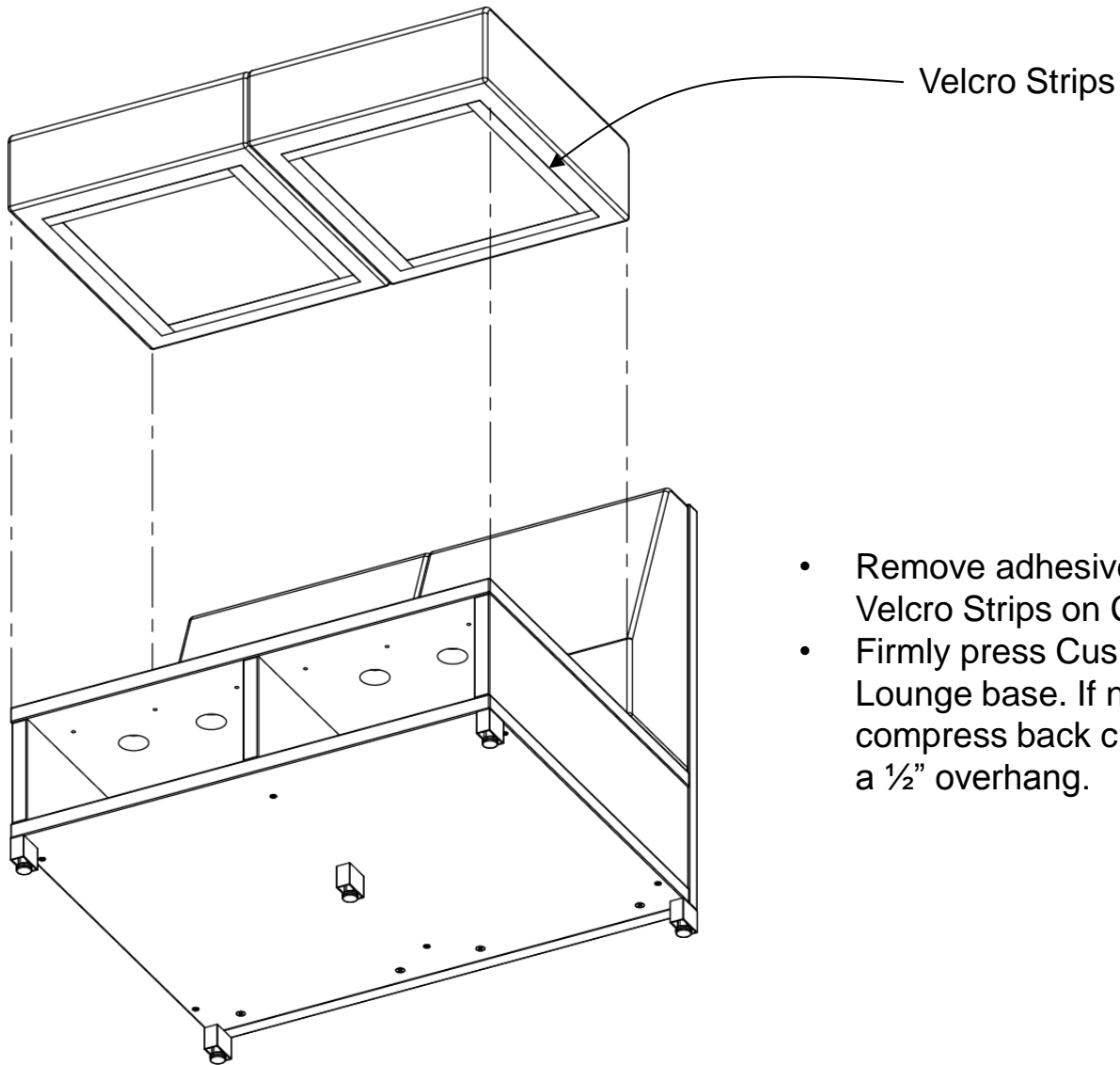
Mending Plate Install







- Remove adhesive backing from Velcro Strips on Cushion.
- Firmly press Cushion onto Back Panel.



- Remove adhesive backing from Velcro Strips on Cushion.
- Firmly press Cushion onto Lounge base. If necessary, compress back cushion, leaving a 1/2" overhang.

0.50"
overhang

