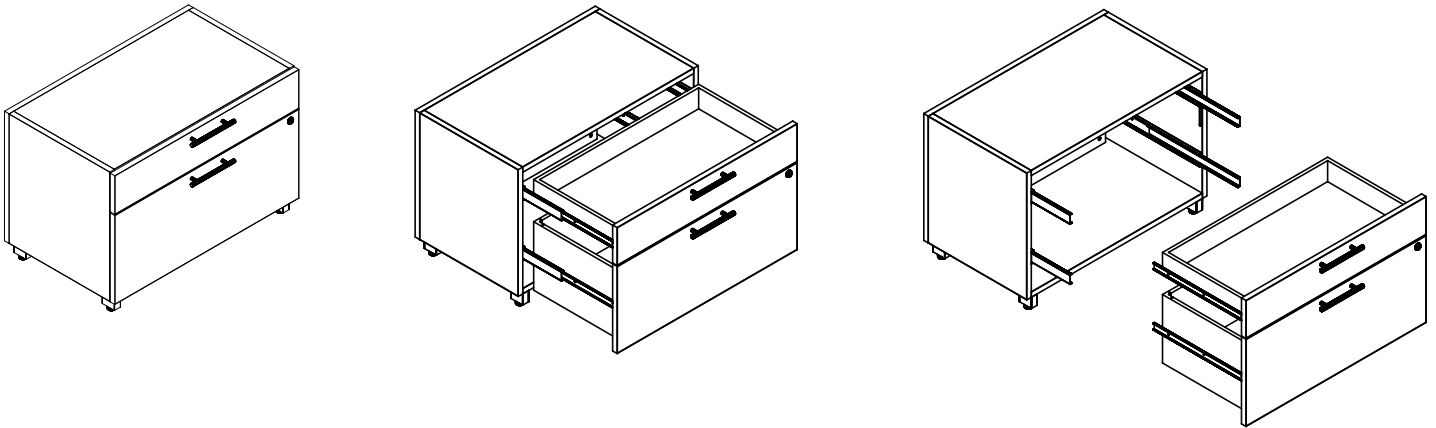


## Details

Calibrate Lateral file counter weights are installed by removing the drawers and securing the counterweight to the back of the unit with supplied hardware.

### Step 1

Remove the lateral file drawers.



### Step 2

Place the counterweight inside the lateral file body, standing up against the back. Secure the counterweight with supplied hardware and screws. Once the weight is in place, reinstall the drawers to complete the process.

Note: Lateral File will have pre-drilled holes for the screws.

