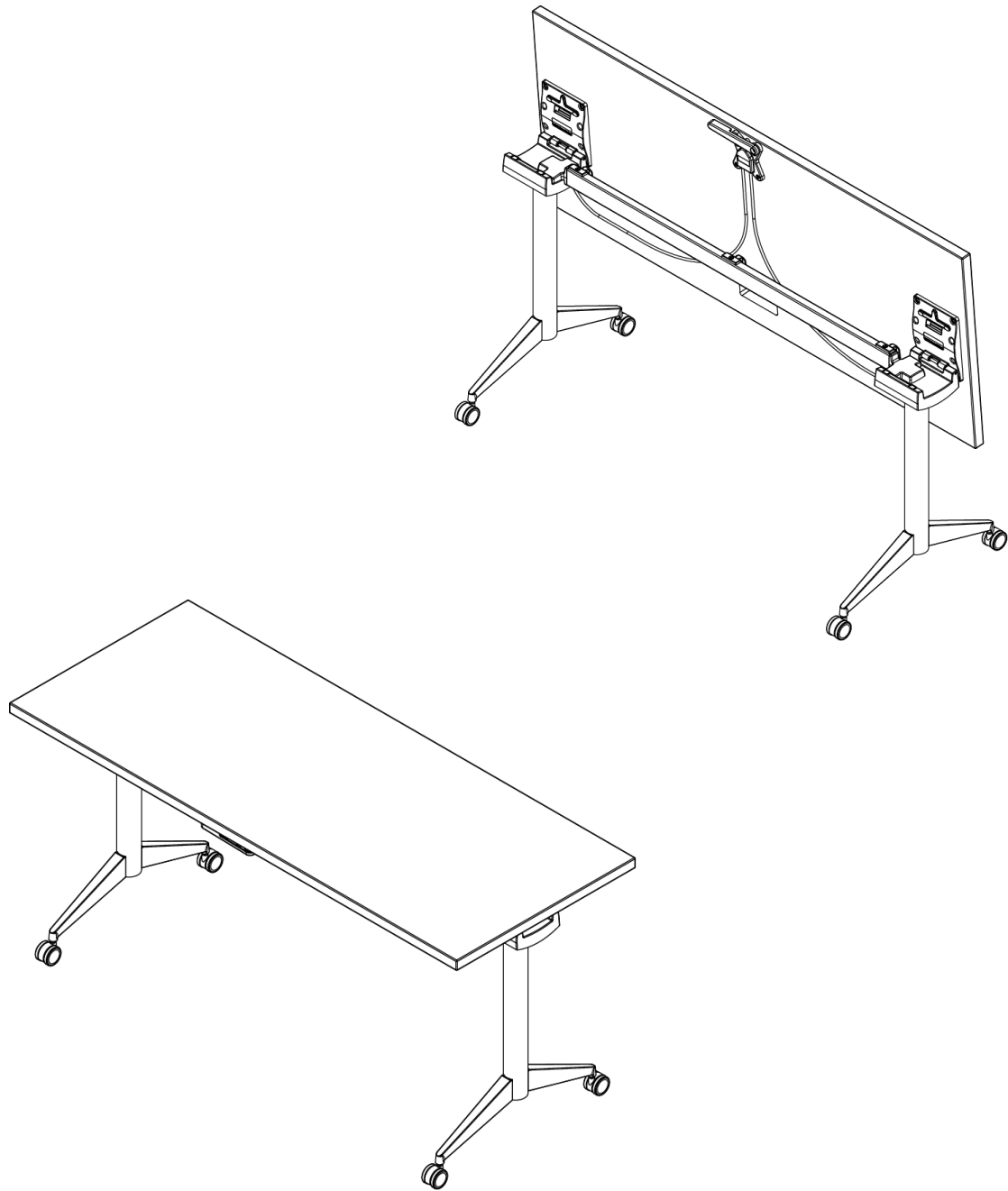
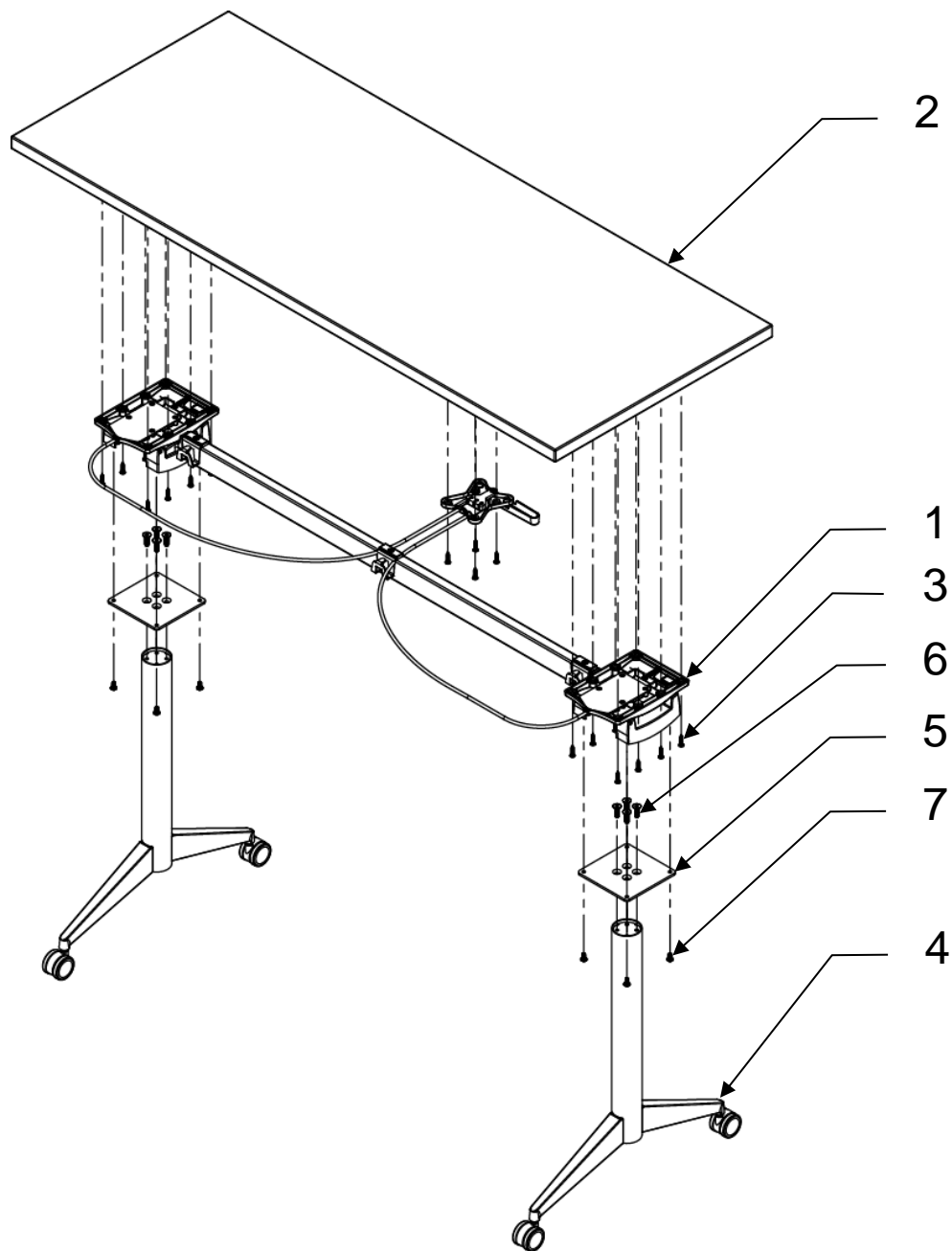


Flip Table Installation Instructions



Date	Page No.	Description of change	Name
7/5/2018	1-5	Released	S. Powers
10/25/18	8	Added Jumper Installation	S. Powers

Flip Table Installation Instructions

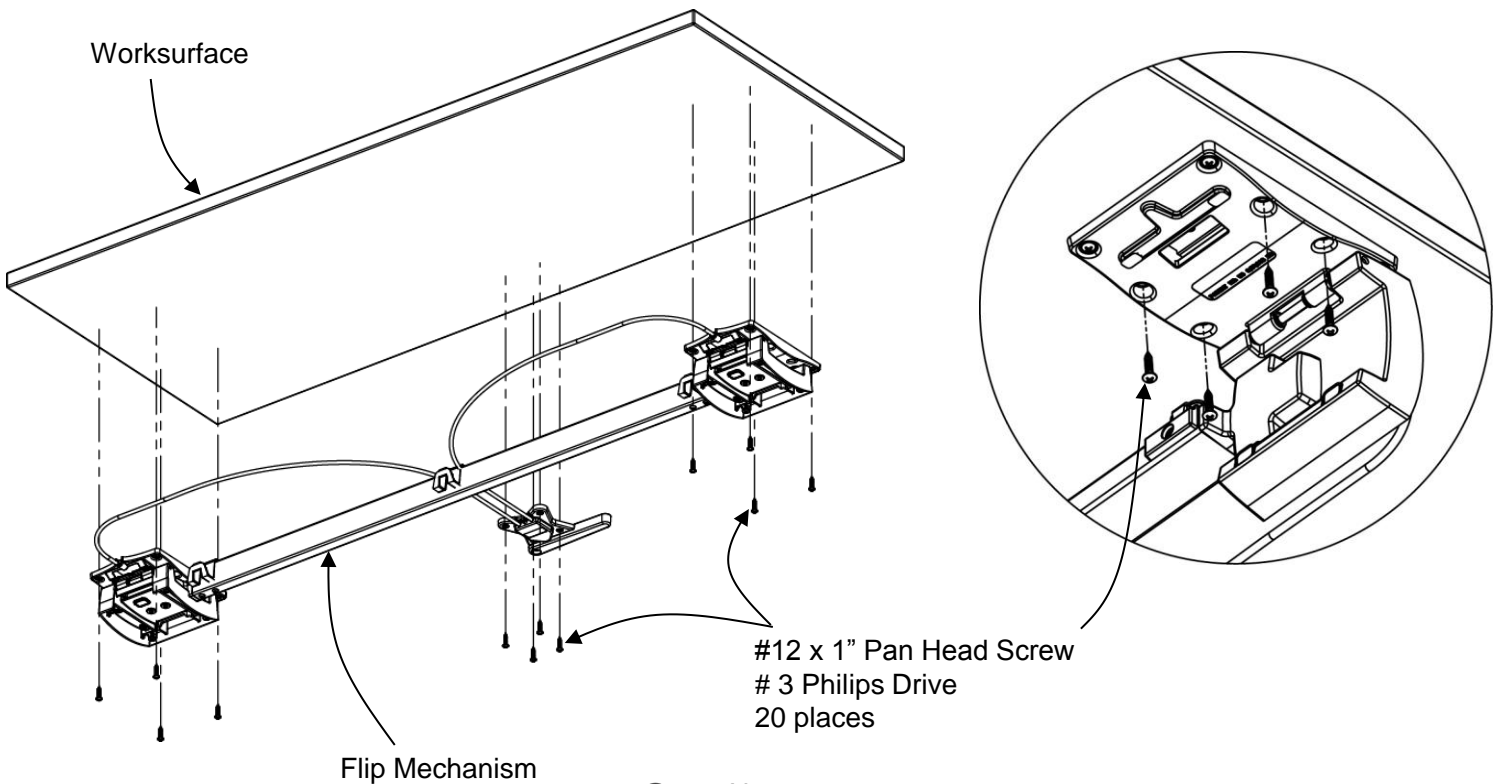


1. Flip Mechanism
2. Worksurface
3. #12 x 1" Pan Head Screw
4. Aluminum T-Leg
5. Top Plate
6. 5/16-18 x 1" Flat Head Hex Screw
7. 1/4-20 x 1/2" Button Head Screw

Flip Table Installation Instructions

STEP 1

Install Flip Mechanism to Worksurface using (20) #12 x 1" Pan Head Screws.

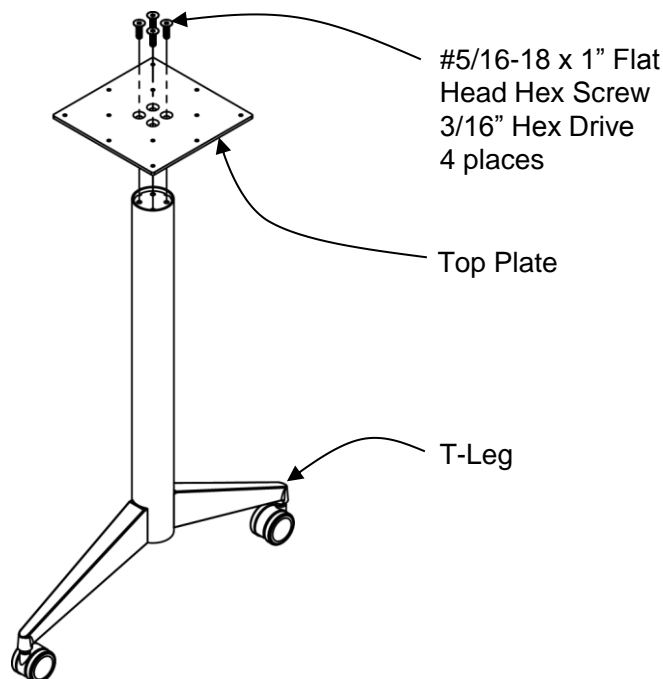


Note:

Symmetrically center mechanism left to right and front to back. Locate handle on the front center of the worksurface.

STEP 2

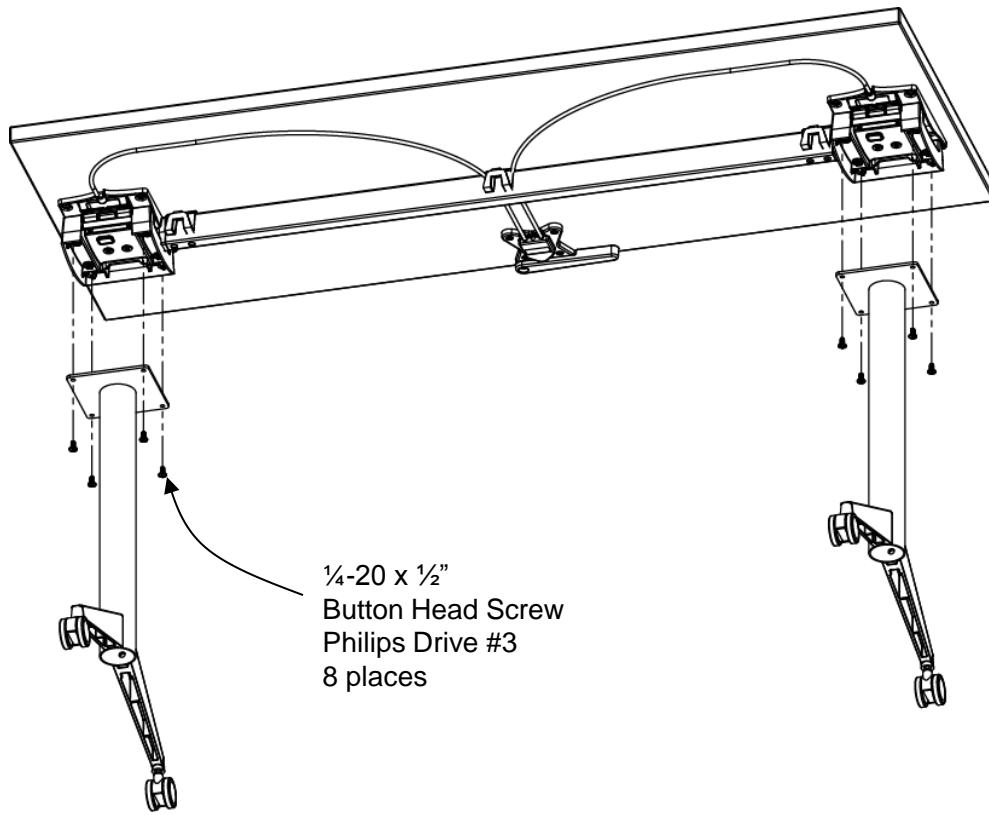
Assemble Top Plate to T-Leg assembly using (4) #5/16-18 x 1" Flat Head Hex Screw. Repeat for second leg.



Flip Table Installation Instructions

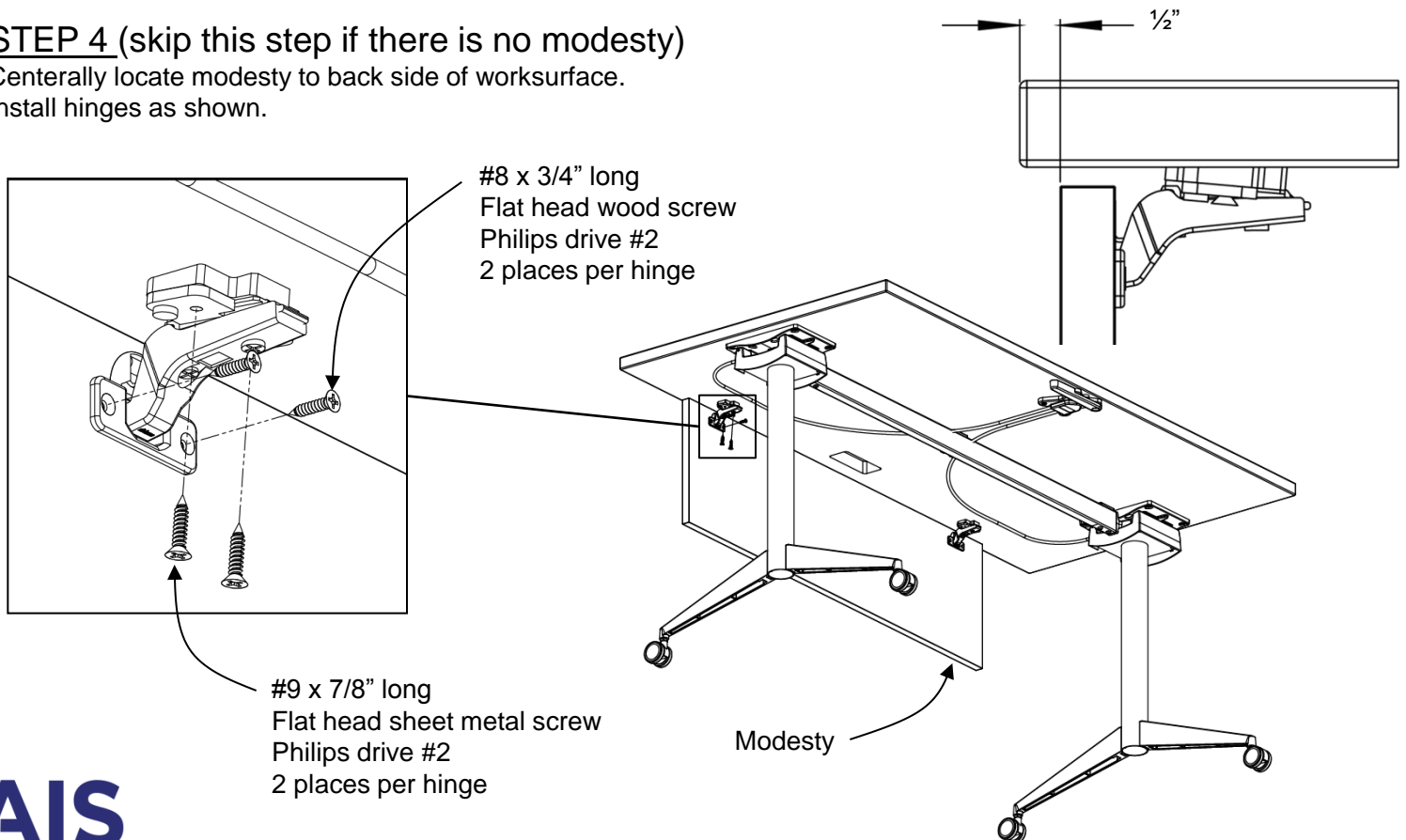
STEP 3

Install T-Leg assembly to Flip Mechanism using (4) 1/4-20 x 1/2" Button Head Screws.



STEP 4 (skip this step if there is no modesty)

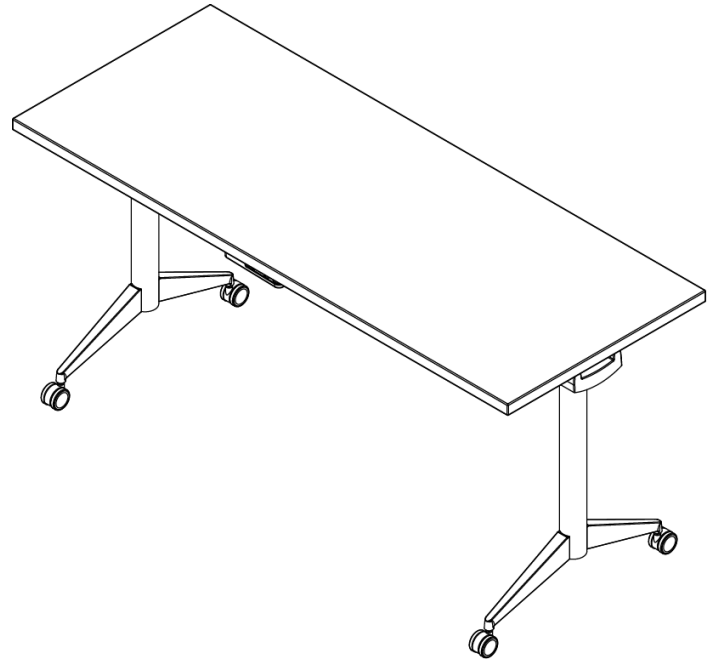
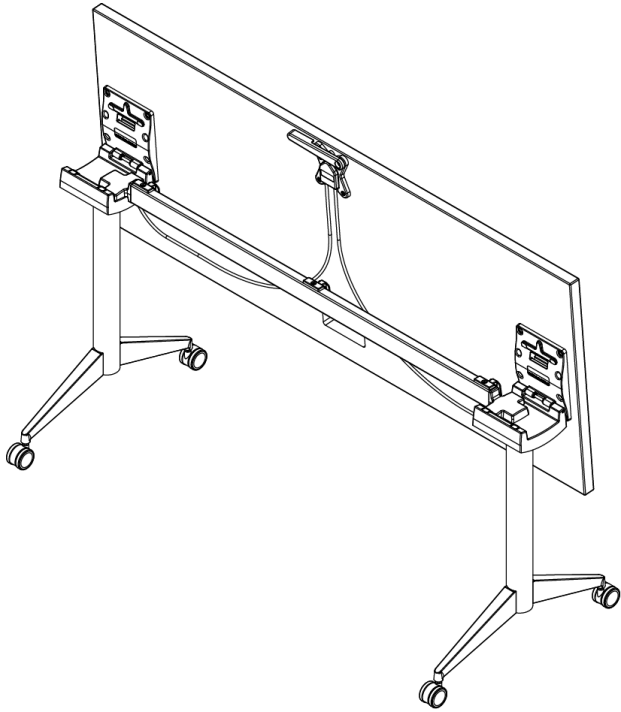
Centrally locate modesty to back side of worksurface.
Install hinges as shown.



Flip Table Installation Instructions

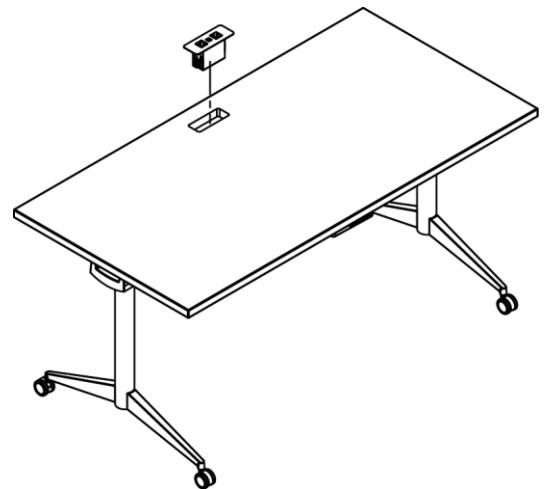
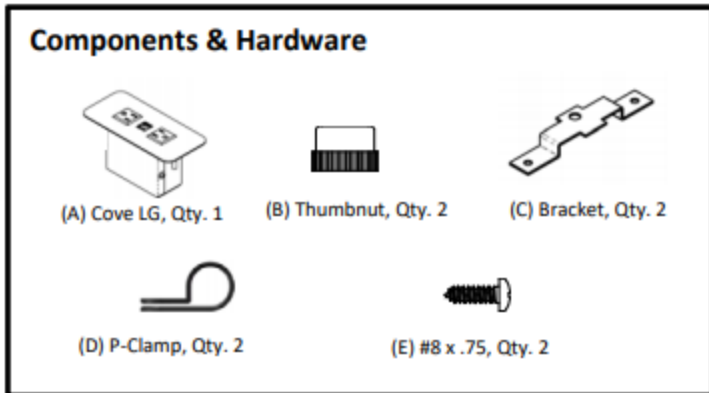
STEP 5

Insure Flip Mechanism is properly working by using the handle assembly to lock the worksurface into an upright position and release to a lowered position.



Flip Table Installation Instructions

COVE LG WITH DAISYLINK INSTALLATION



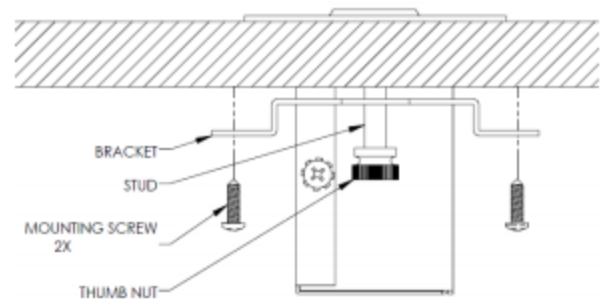
For use with: This product fits tables .25" – 1.5" thick.

Note: *Take care not to pierce finished surfaces.

Note: Use only Electri-Cable Assemblies System 42 Cables. ECA System 42 connectors have been evaluated to prevent inadvertent contact with live parts. Unused connector openings are not required to be capped; however a cap is available from the factory if desired.

Installation Instructions:

- 1-** Determine the Cove LG's (A) mounting location and prepare the surface by cutting the mounting hole as shown.
 - 2-** Insert the Cove LG through the cutout from above.
 - 3-** Place the Brackets (C) and Thumbnut (B) on studs as shown and tighten the nuts until secure. Use caution not to over tighten.
 - 4-** Optional – Screwing bracket to underside of surface provides additional mounting support (#8 wood screws – not provided). Insert screws through holes in brackets and secure to underside of work surface as needed*.
- Use of optional screws are recommended for 2.75" opening.
- 5-** Connect cables to Cove LG as required.
 - 6-** Use P-Clamps (D) and Screws (E) to route cables and attach to underside of work surface as needed.



Flip Table Installation Instruction

Jumper Installation

