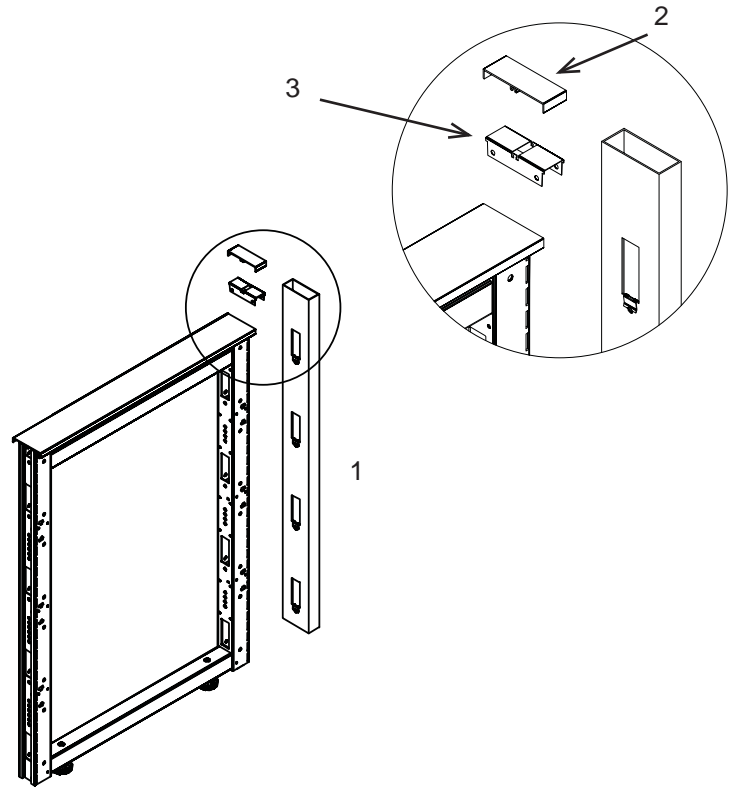


## Details

2x2 A-Legs come assembled with the exception of the top plates.

## Leg Parts

1. Wall Mount
2. Wall Mount Top Cap (RP-M4TCWM)
3. Wall Mount Top Cap Clip (RP-M4WMTCCCLIP)



## Step 1

Install the wall mount strip to the wall (hardware not included), attach frame as needed with supplied hex head bolts, then insert the top cap into the wall mount strip as needed.

Note: The wall mount top cap and top clap clip should be assembled before leaving AIS.

