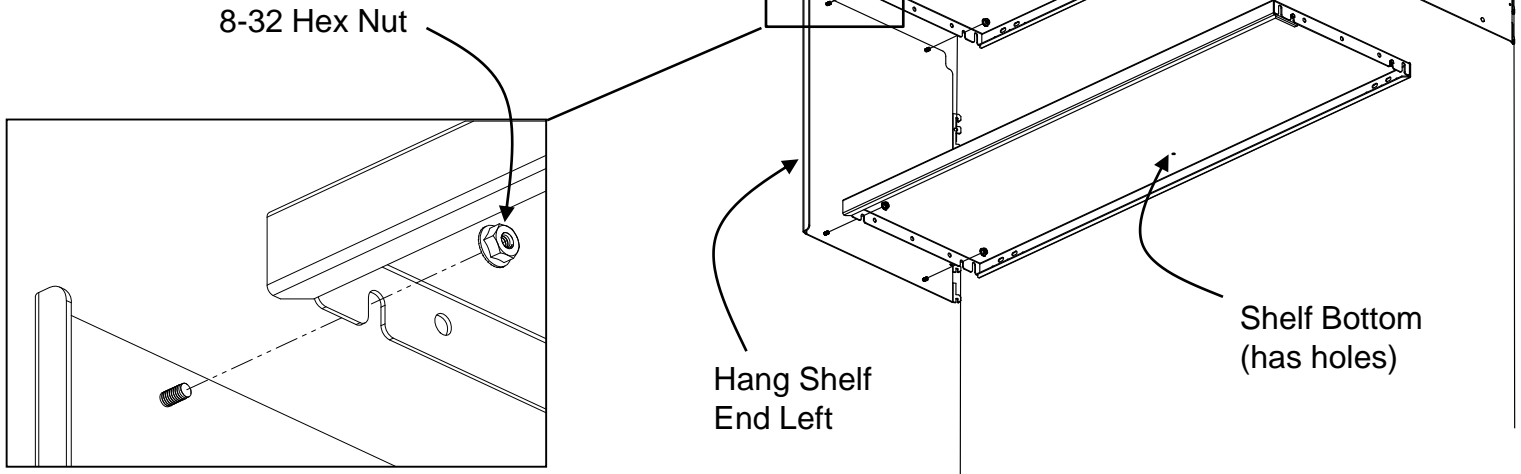


Metal Sliding Door Overhead

Step 1

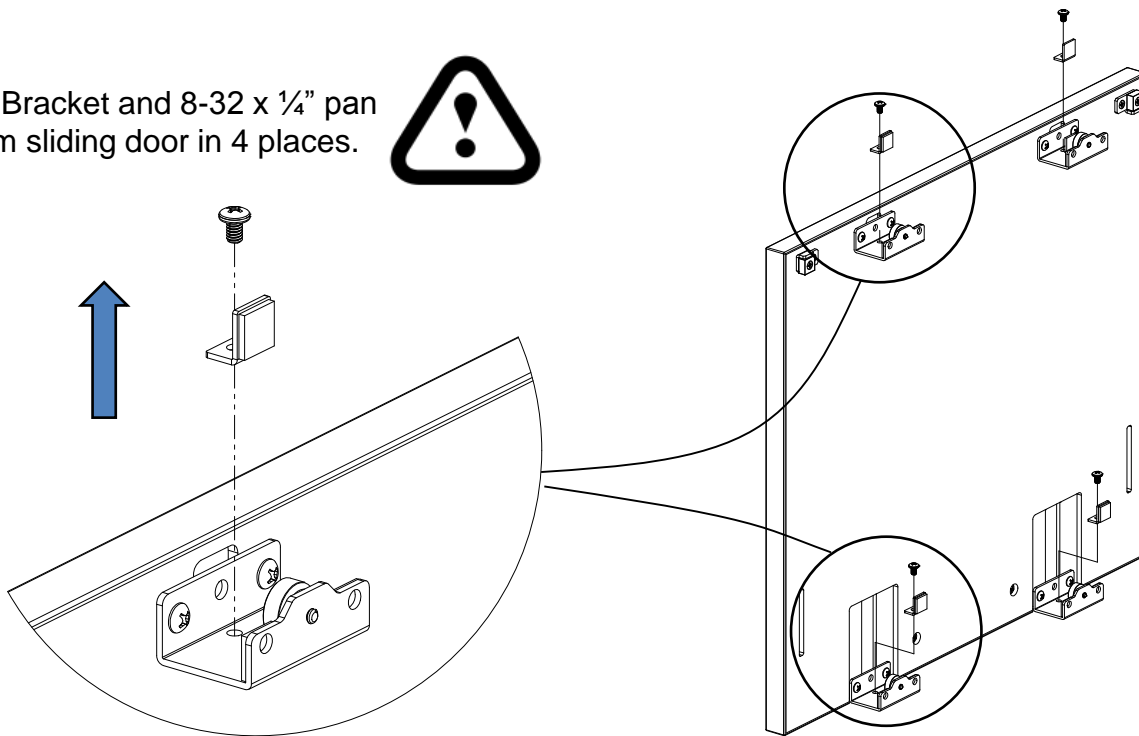
First hang shelf ends onto panel then install top and bottom shelf using (8) 8-32 hex nuts.

Must be built on panel



Step 2

Disassemble L-Bracket and 8-32 x 1/4" pan head screw from sliding door in 4 places.



Metal Sliding Door Overhead

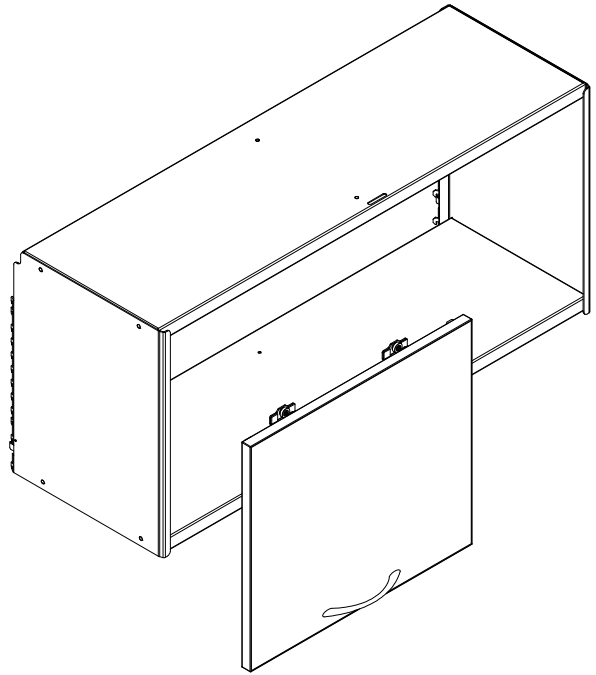
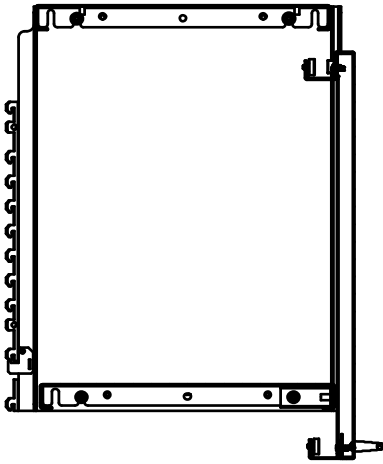
Step 3

Install sliding door in/up/out onto the inside edge of shelf top and bottom.

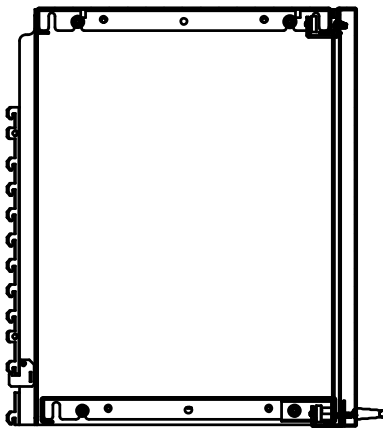


Do not install divider in unit until the door has been installed.

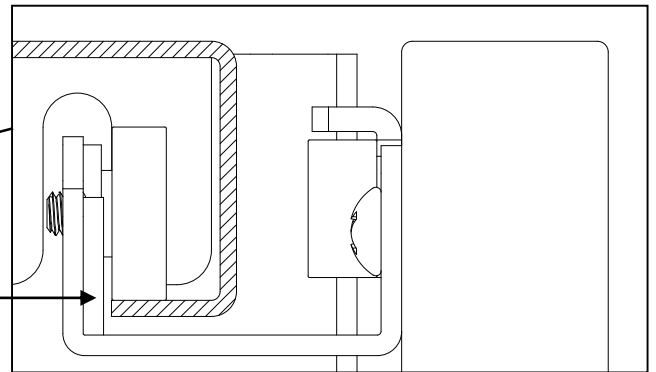
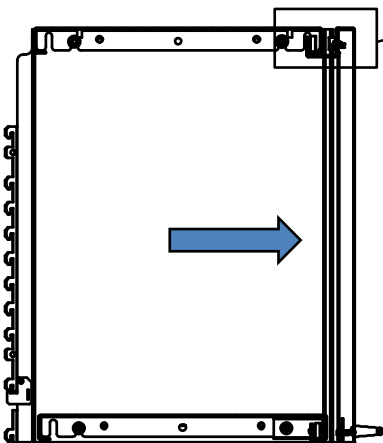
Step 3-A
IN



Step 3-B
UP



Step 3-C
OUT



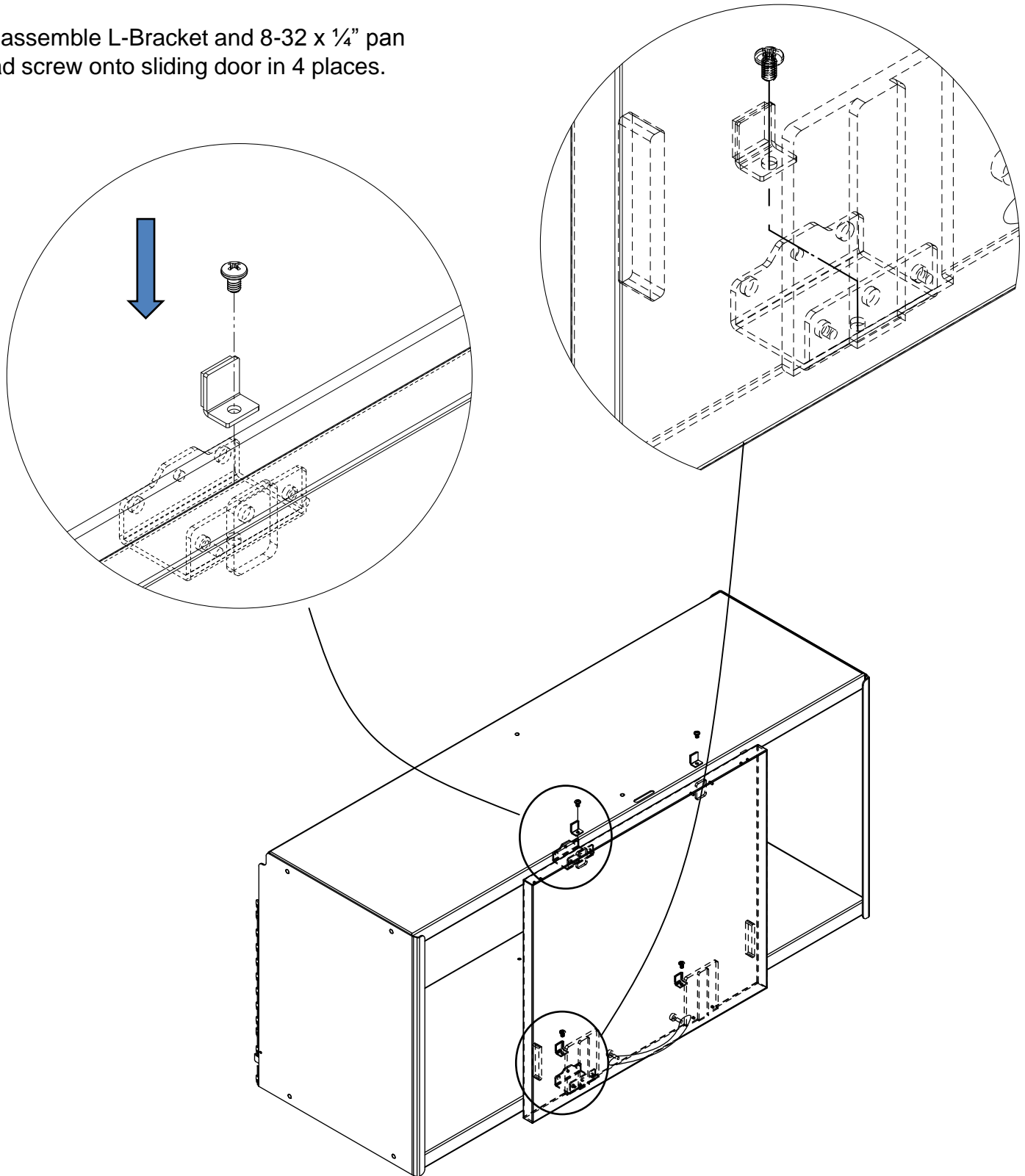
Roller to sit on inside edge of top and bottom shelves



Metal Sliding Door Overhead

Step 4

Re-assemble L-Bracket and 8-32 x 1/4" pan head screw onto sliding door in 4 places.



Metal Sliding Door Overhead

Step 5:

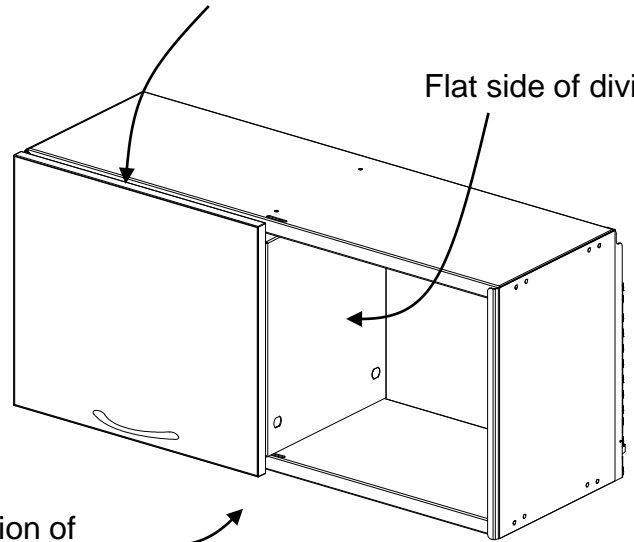
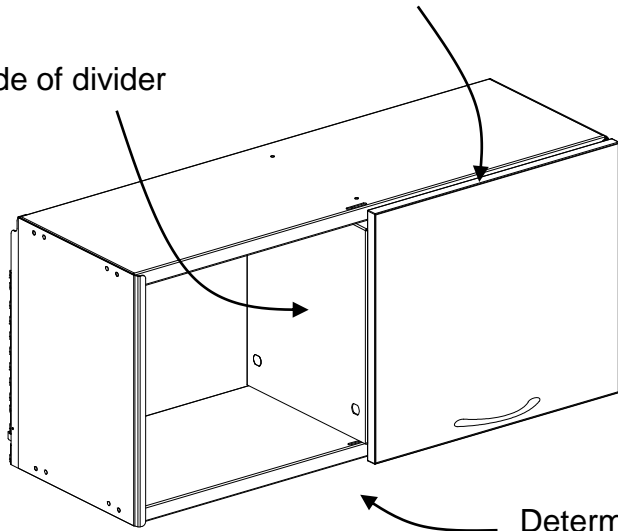
Install Divider

Locked Position

Locked Position

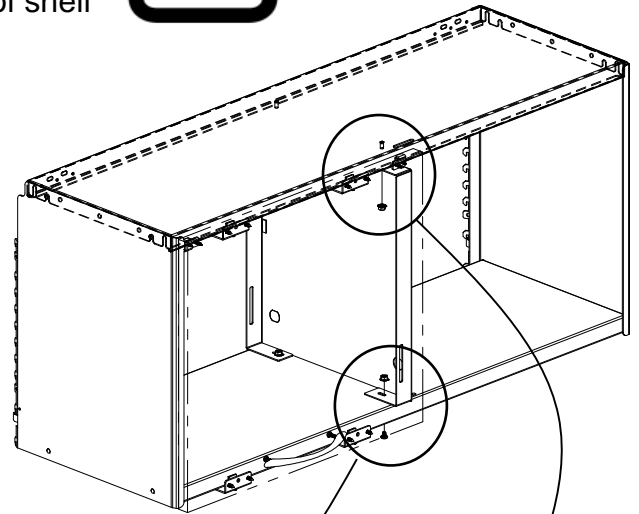
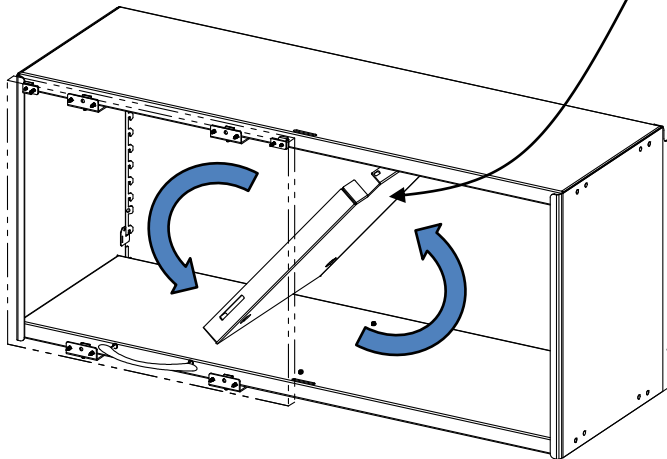
Flat side of divider

Flat side of divider

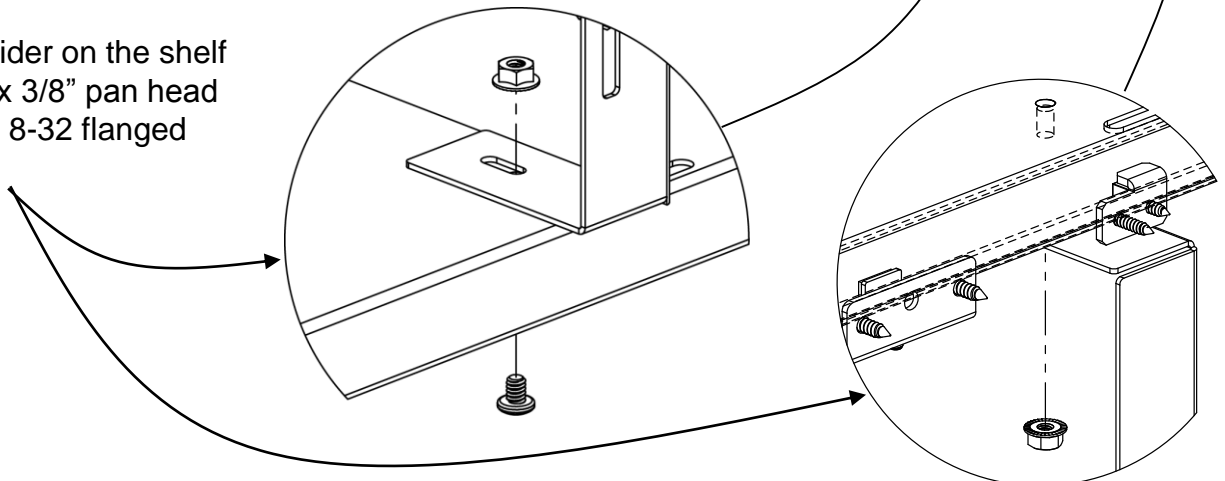


Determine position of door in locked position

Position divider so that the flat side of the divider is facing the open side of shelf



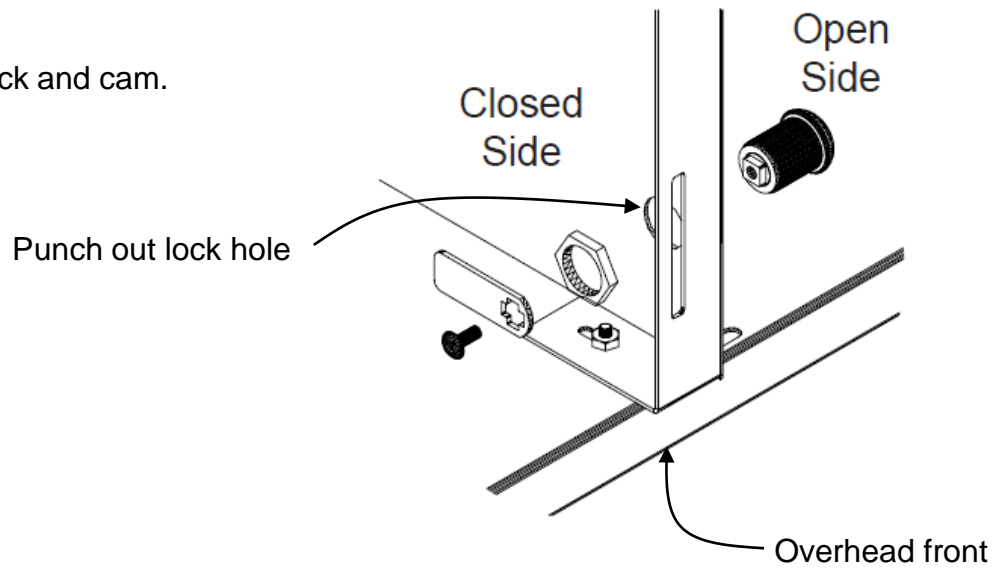
Install shelf divider on the shelf using (2) 8-32 x 3/8" pan head screws and (4) 8-32 flanged hex nuts.



Metal Sliding Door Overhead

Step 6

Install the standard overhead lock and cam.



Step 7 (door not shown for clarity)

Install shelf divider cover using (6) thin magnets on back side of the divider cover.

