

Details

Up-Mounted Frameless Glass Kits allow for the installation of frameless glass on top of worksurfaces as well as below worksurfaces (see Modesty Frameless Glass). Clamps come with all required hardware, including worksurface screws.

Data Septum Parts

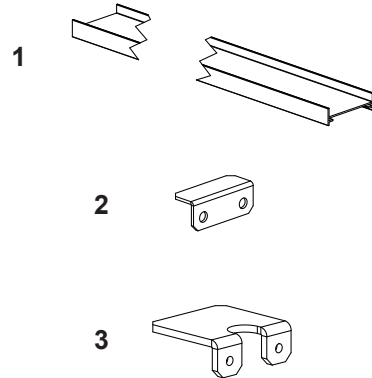
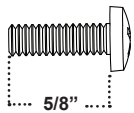
1. Data Septum Bar

2. L Bracket

3. Lock Bracket

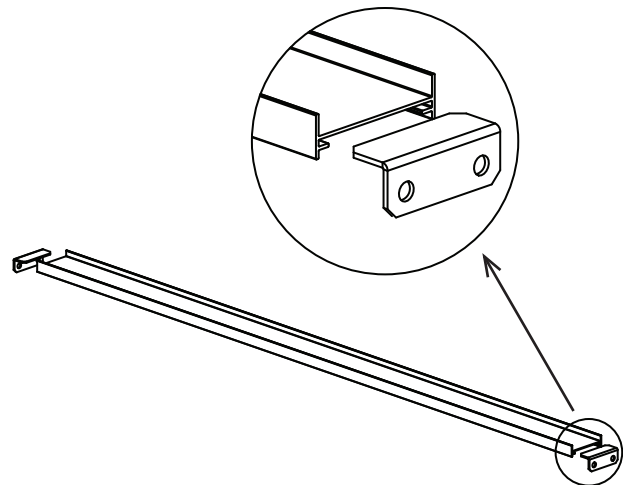
4. Phillips Head Screw (below)

#10-24 5/8 Phillips Pan Head Screw



Step 1

Install "L" Brackets into both ends of the Data Septum bar (press fit)



Step 2

Place the assembled septum bar and L Brackets between the glide housings. Using the Lock Brackets and Phillips head screws secure the unit between the glide housings.

