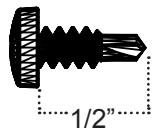


Details

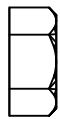
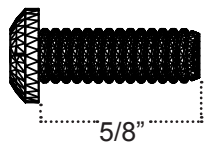
Matrix Recessed Frameless Glass allows for frameless glass to be secured directly to the Matrix frame, which hides the mounting hardware for a different aesthetic than the traditional clamped on glass.

Recessed Frameless Glass Parts

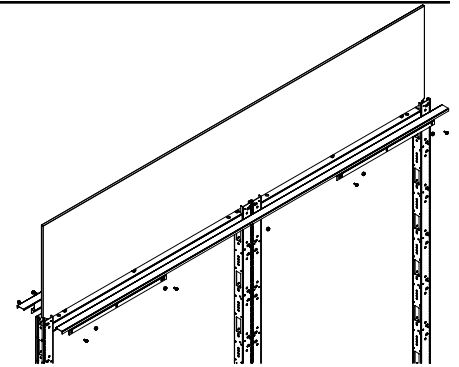
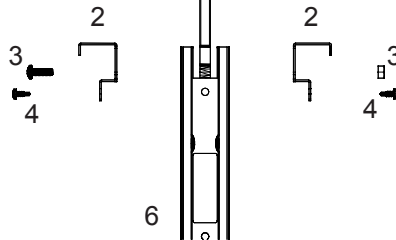
1. Glass
2. Recessed Glass Retainer
3. 1/4 - 20 Pan Head Screw (1") / Nut
4. #10 x 1/2" Self Tapping Screws
5. Matrix Frame



#10 x 1/2" Self Tapping Screws

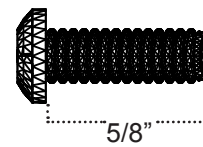


1/4 - 20 Pan Head Screw (1") / Nut

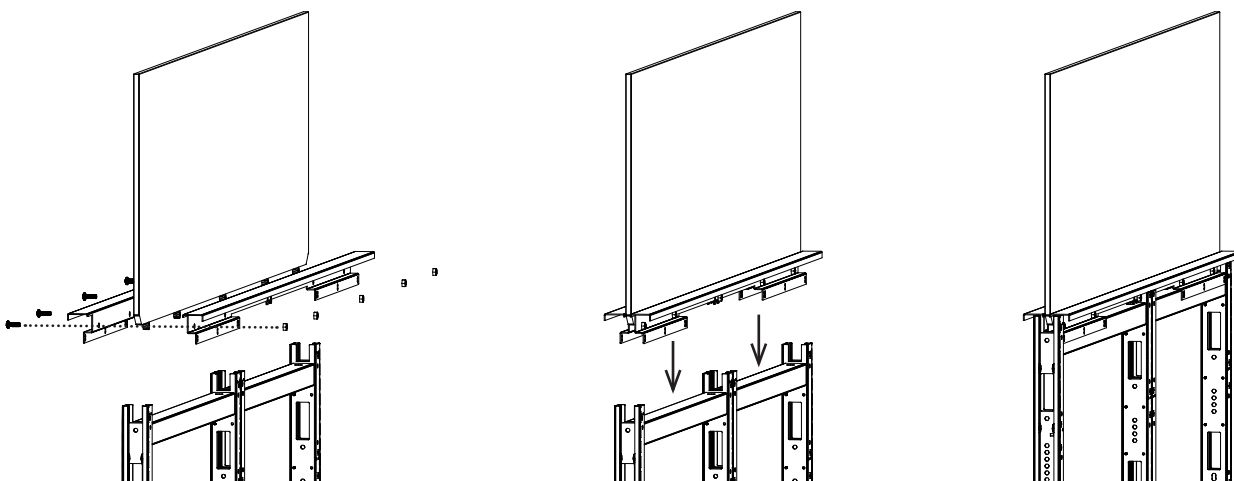


Step 1

Loosely bolt the frameless glass retainers to the glass using the 1/4 20 x 1" screws. Once the recessed glass retainers are loosely attached to the glass, rest the assembly onto the Matrix frame(s).



1/4 - 20 Pan Head Screw (1") / Nut

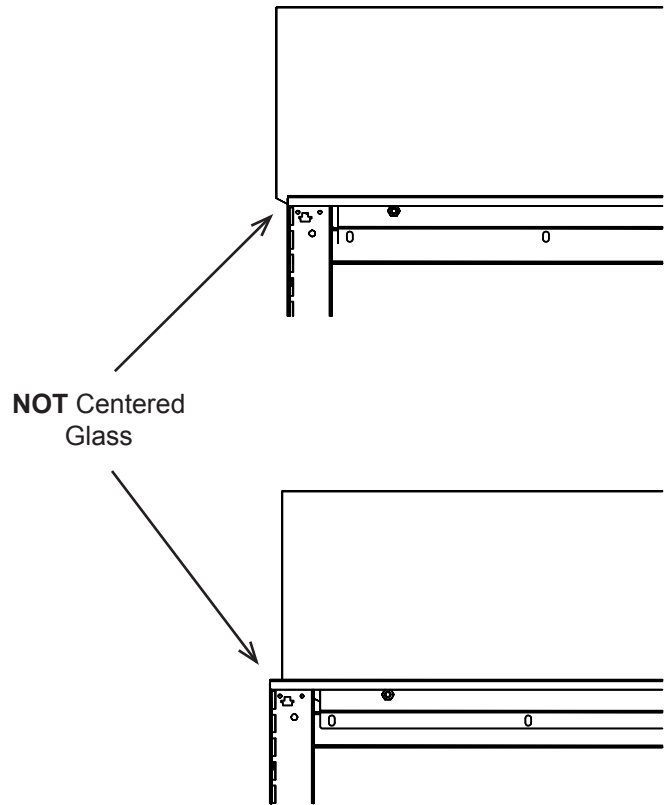
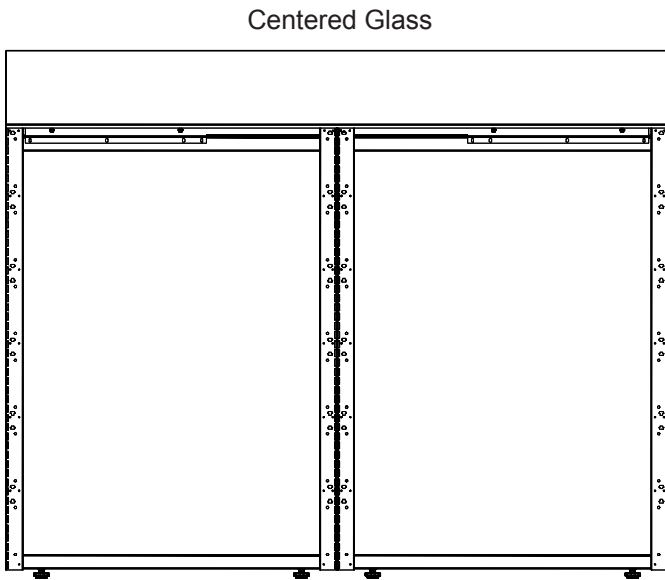


Details

Matrix Recessed Frameless Glass allows for frameless glass to be secured directly to the Matrix frame, which hides the mounting hardware for a different aesthetic than the traditional clamped on glass.

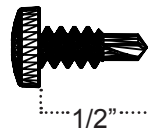
Step 2

Adjust the placement of the glass so that it is centered on the frame (s), then tighten the bolts with **LOW TORQUE**.  
**\*\* DO NOT IMPACT**



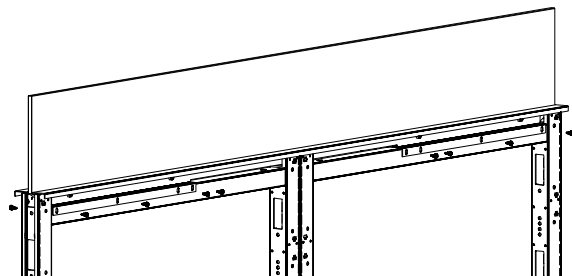
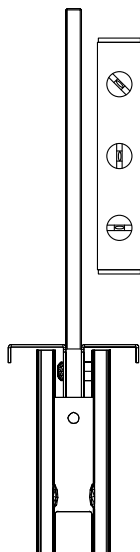
Step 3

Using a level, make sure the glass is leveled front to back on the frames, then keep the glass level and attach the recessed glass retainers to the frame using #10 x 1/2" self tapping screws.



#10 x 1/2" Self Tapping Screws

FIRST  
Level the glass



Second  
Secure the glass with self tapping screws through the retainer holes

