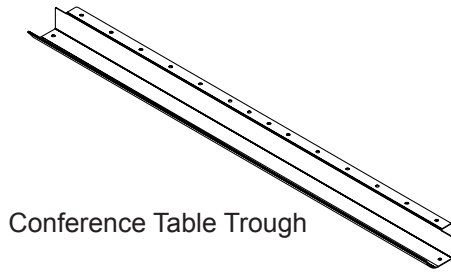


Details

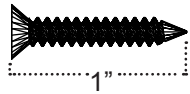
Conference Base Troughs are mounted from Conference Base to Conference Base to allow for wire management, as well as to add stability and anti-bowing elements to the Conference Tables.

Worksurface Rail Parts

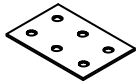
1. Conference Table Trough
2. Standard Surface Screws (1")
3. Mending Plates



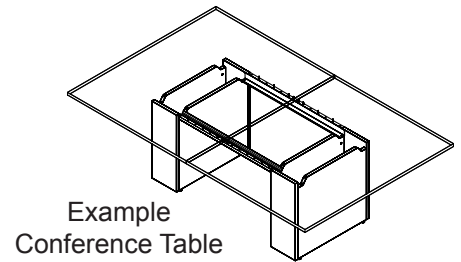
Conference Table Trough



Standard Surface Screws (1")

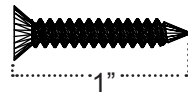


Mending Plates

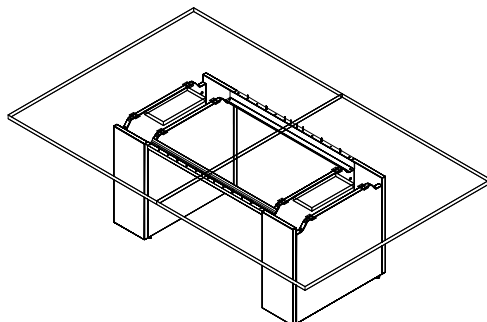
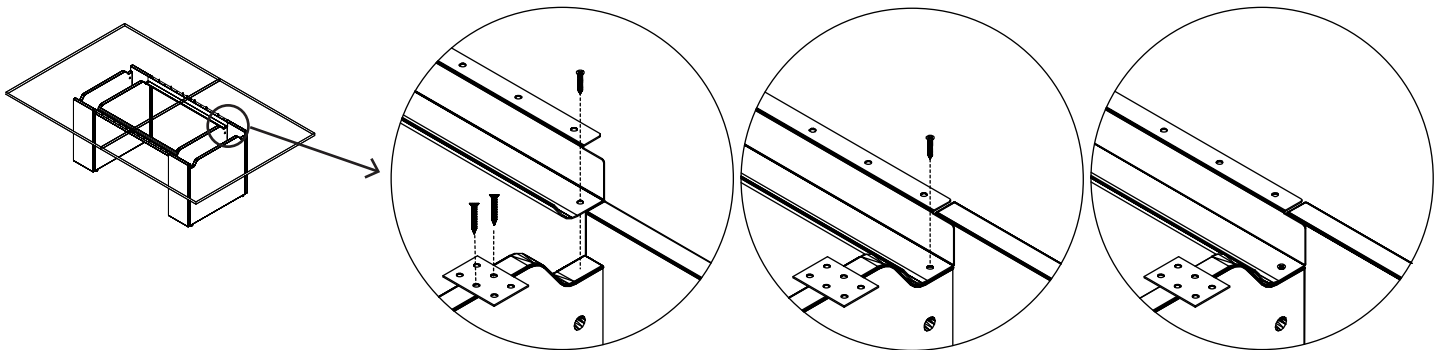


Step 1

Align the hole in the conference table trough to be centered on the bottom of the cut out in the conference table base. Secure the trough to the base with one standard surface screw on either end.



Standard Surface Screws (1")



NOTE: Once the troughs are secured to the bases, simply place the conference table top as needed and secure it from underneath with standard worksurface screws.