

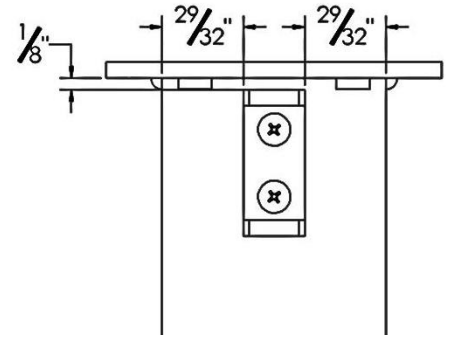
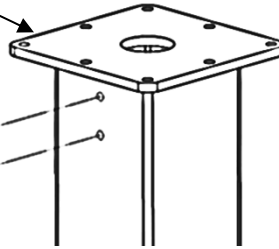
Leg and Crossbar Assembly

Assemble C-Bracket to Legs

Post Leg
WFS-Pxx

C-Bracket
RWFS-OEPCB

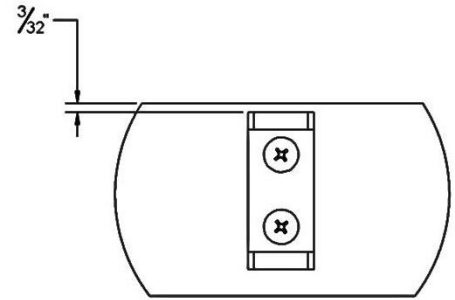
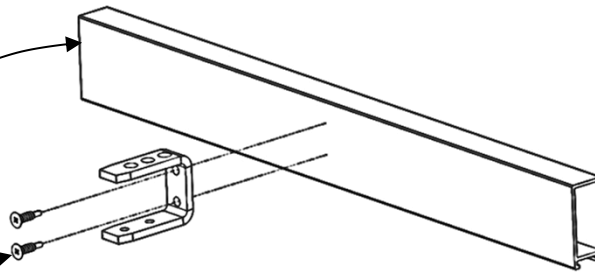
#10 X 3/4L
Flat Head
Self Drilling Screw
Phillips Drive #2
RH-TSFP1034



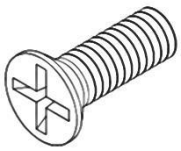
Assemble C-Bracket to Crossbars

(For Crossbar to Crossbar Configurations Only)

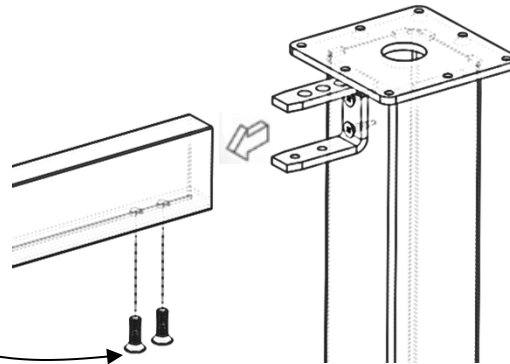
Crossbar
WFS-CBxx
Part numbers vary
depending on
configuration



Assemble Crossbars to Legs



#1/4-20 X 3/4L
Flat Head
Machine Screw
#3 Phillips Drive
RP-HMCB-A

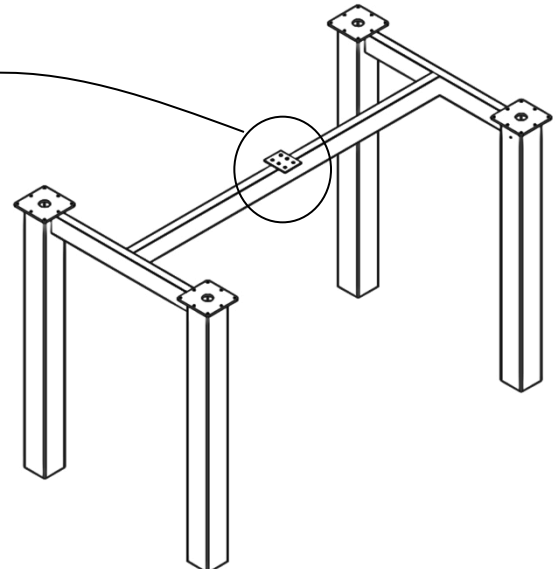
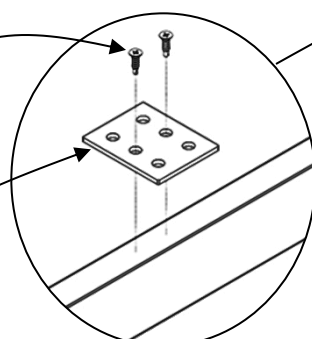


Assemble Top Plate to Crossbars

Location varies depending on configuration. See page 2

#8 X 1/2 L
Flat Head
Drilling Screw
Phillips Drive #2
TSS812A

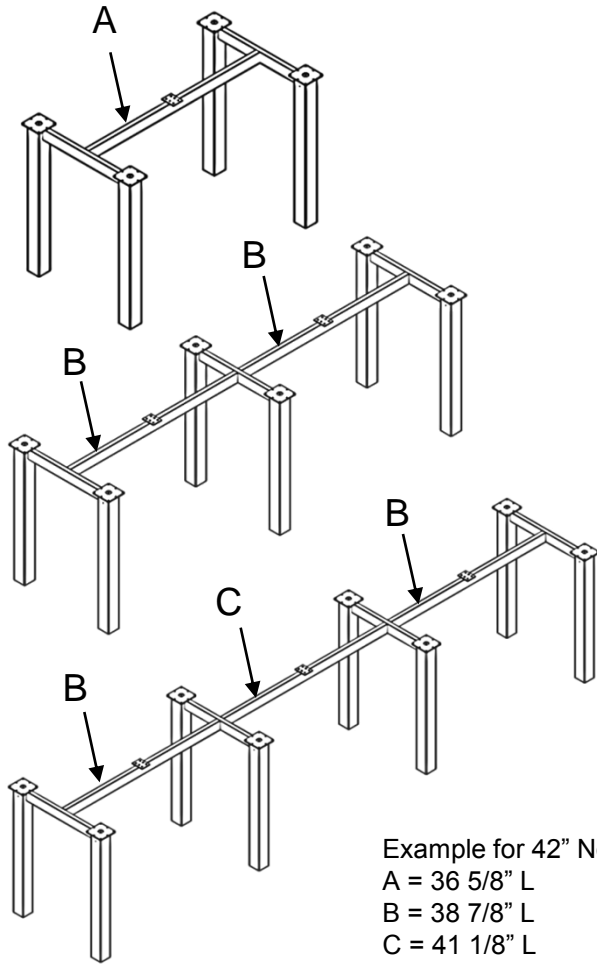
Top Plate
RWFS-OEPTPL



Leg and Crossbar Assembly

Crossbar to Crossbar Configurations

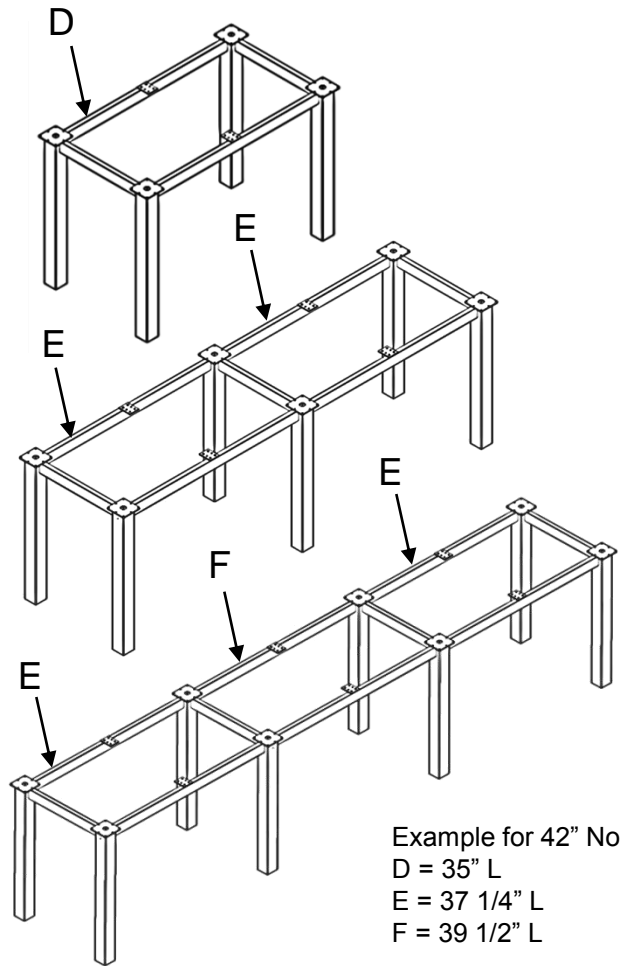
- A = End Crossbar to End Crossbar
- B = End Crossbar to Shared Crossbar
- C = Shared Crossbar to Shared Crossbar



Example for 42" Nominal:
 A = 36 5/8" L
 B = 38 7/8" L
 C = 41 1/8" L

Post to Post Configurations

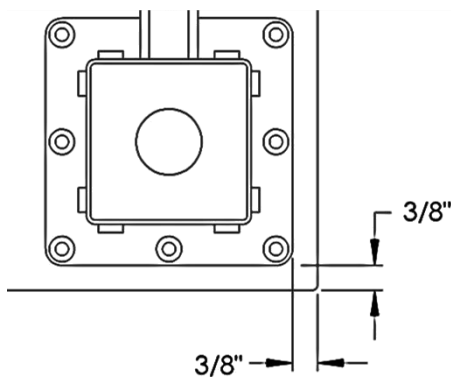
- D = End Post to End Post
- E = End Post to Shared Post
- F = Shared Post to Shared Post



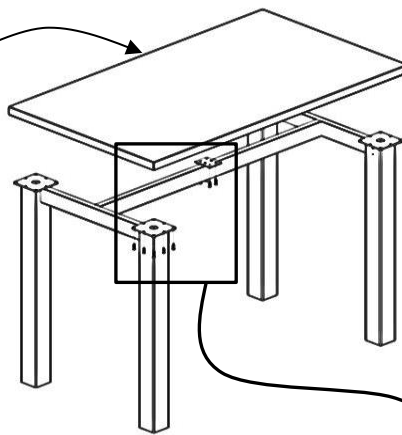
Example for 42" Nominal:
 D = 35" L
 E = 37 1/4" L
 F = 39 1/2" L

Install Work Surface

Work Surface Placement



Work Surface



#9 X 7/8L
 Flat Head
 Sheet Metal Screw
 Phillips Drive #2
 RH-QS0978
 4 PLACES

