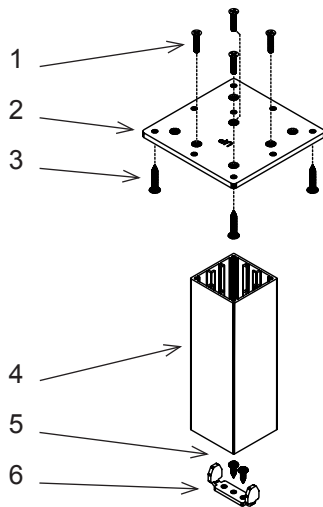


Details

2x2 Worksurface Risers ship with all required hardware.

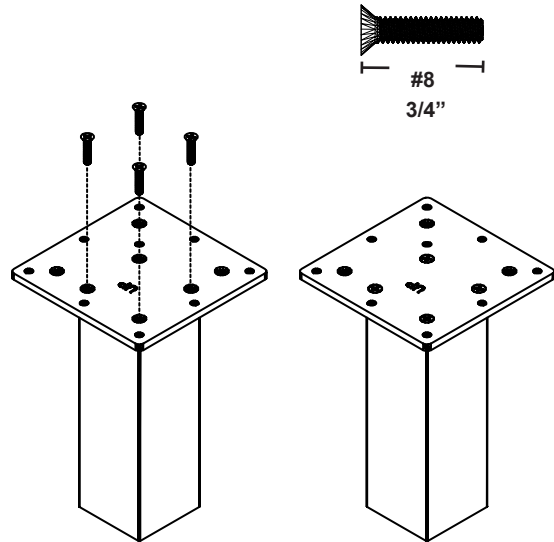
Hardware

1. #8 x 3/4" Machine Self Threading Screw
2. Top Plate
3. #9 x 1" Worksurface Screw
4. Pillar
5. #8 x 3/8" Pan Head Screw
6. Pillar Catch Bracket



Step 1

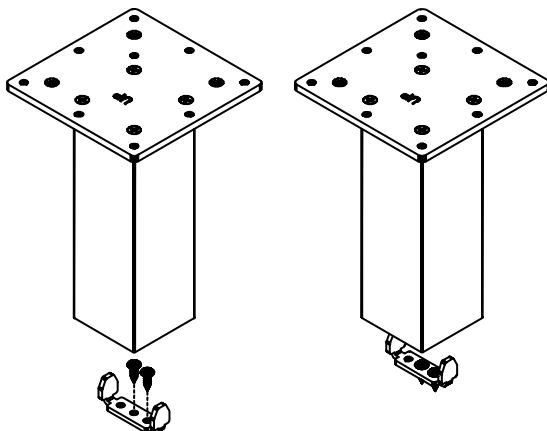
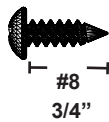
Install the Top Plate onto the Pillar using two #8 x 3/4" machine self threading screws.



Step 2

Position the pillar catch bracket under where the pillar is to be installed. Using two #8 x 3/8" pan head screws, secure the bracket in place. Once the bracket is in place, pressure fit the leg onto the bracket.

Note: Marking the pillar location with pencil marks helps.



Complete

Locate the upper worksurface in the desired position and secure using the #9 x 1" worksurface screws.

