

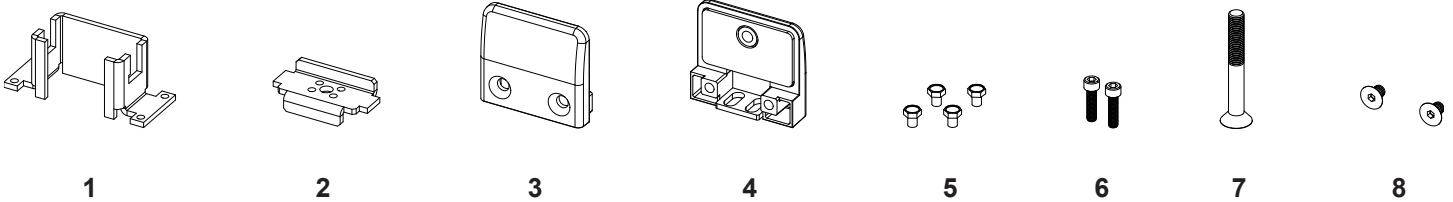
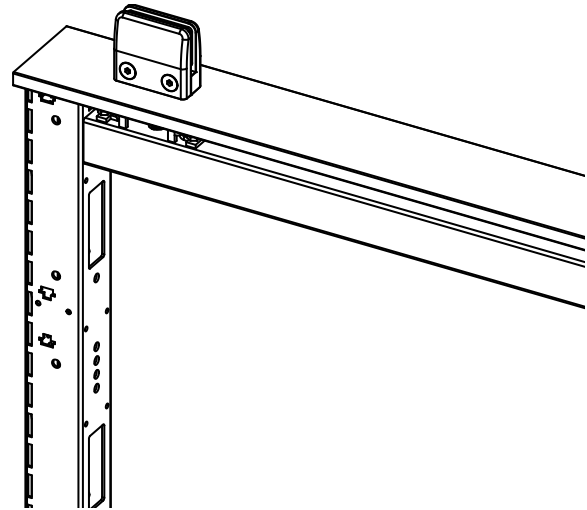
**Details**

Frameless Glass Mounting Kits allow for the installation of frameless glass on top of Matrix Linear frames.

Mounting Kits come with all the required hardware for installation of the glass, as well as a top cap for the frame with pre-drilled holes for easy installation.

Also included are optional screws which allow for manual glass alignment, for fine tuning the glass once it is installed.

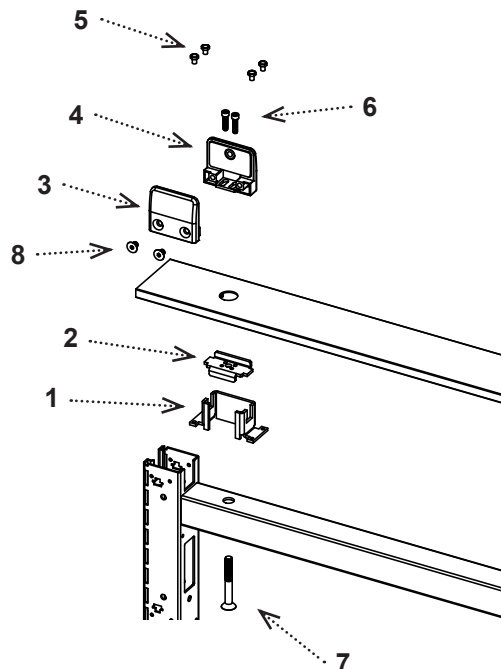
Every Matrix Linear Frame will have two clamps to secure the glass in place. This guide explains how to install one clamp, which will be repeated two times per frame.



**Clamp Parts**

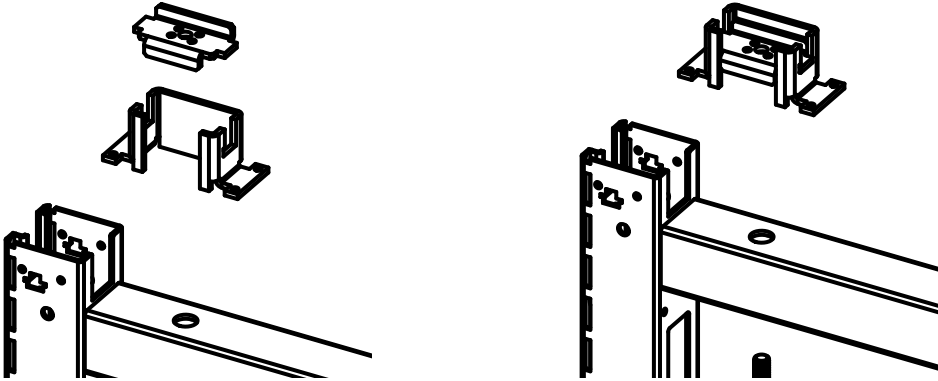
- 1. Glass Clamp Brace
- 2. Glass Clamp Brace Top
- 3. Glass Clamp Female
- 4. Glass Clamp Male
- 5. Pan Head Machine Screws
- 6. Flat Head Socket Drive Screws
- 7. Socket Head Screw
- 8. Countersunk Hex Head Bolts

RH-GCS - SCREW 1/4-28 X 1/2" FLAT HEAD SOCKET DRIVE



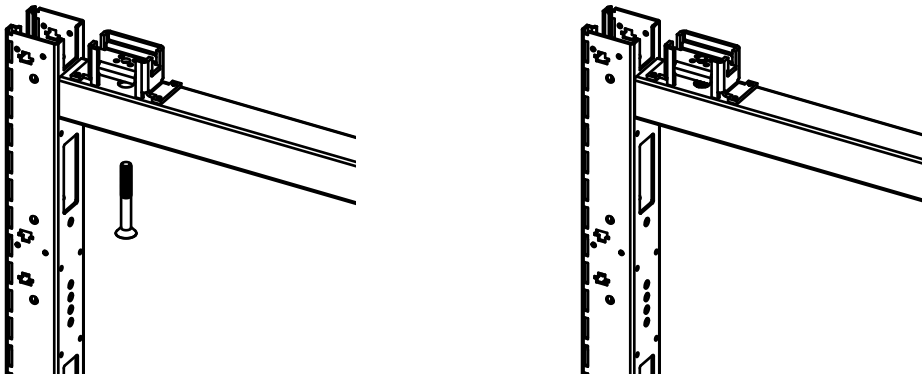
### Step 1

Combine the Glass Clamp Brace and the Glass Clamp Brace Top into one piece.



### Step 2

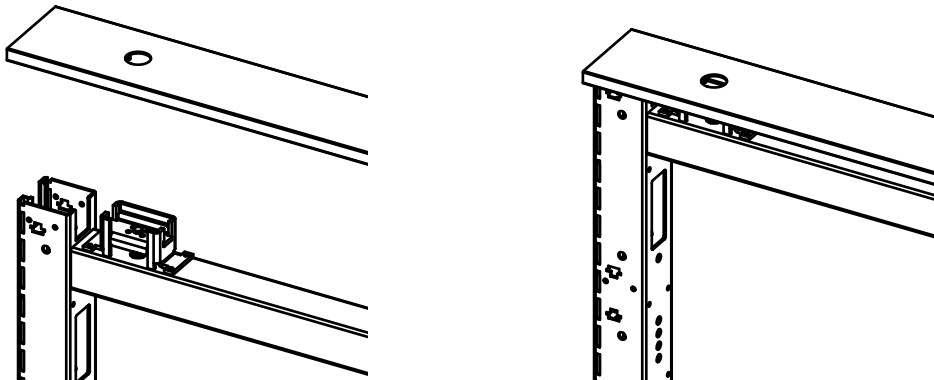
Bolt the Complete Glass Clamp Brace to the frame using the Socket Head Screw.



### Step 3

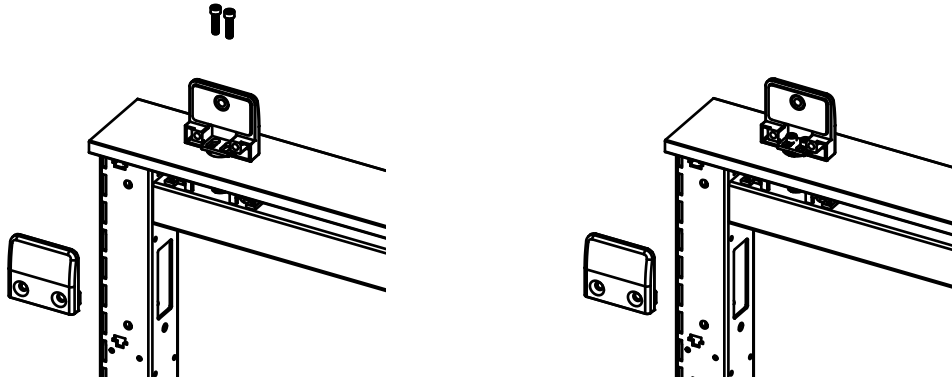
Install the top cap over the brace. Remember that there are two brace sets per frame, so install both first.

**NOTE:** The Glass Clamps have the ability to adjust for alignment purposes. This step is at the end of the guide.



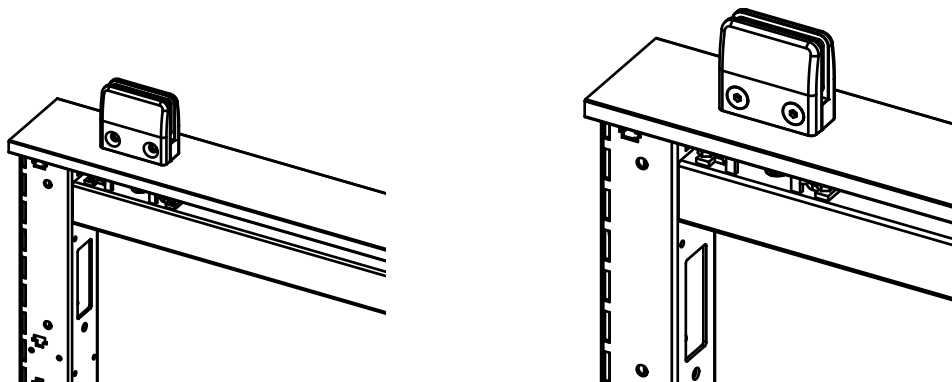
### Step 4

Align the Glass Clamp Male with the brace, which is under the top cap. Secure the Clamp to the Brace using the two Flat Head Socket Drive Screws.



### Step 5

Secure the Glass Clamp Female to the Glass Clamp Male using two Counter Sunk Hex Head Bolts. Do not tighten them all the way until you have the glass inside the clamps and centered on the panels. Once secure the installation is complete. If the glass is not aligned correctly, proceed to step 6.



### Step 6

In the event the glass is not aligned correctly, loosen the Socket Head Screw enough to use the four Pan Head machine Screws. These can then be adjusted on either side to change the glass angle slightly. Once the correct angle is achieved, tighten the Socket Head Screw and the installation is complete.

