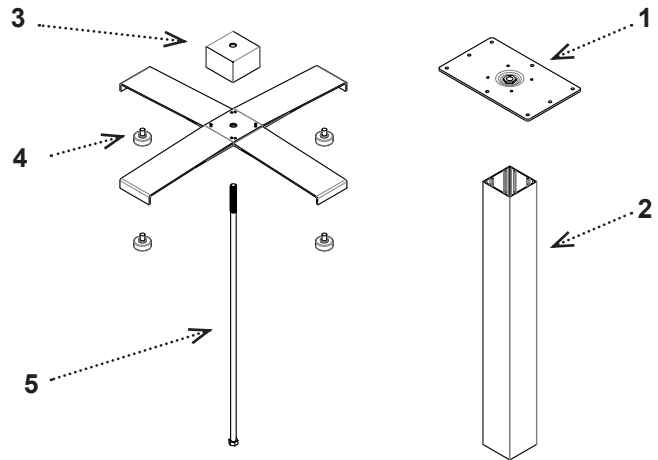


**Details**

AIS offers “X”, “T”, and “C” Style table bases. All of these bases follow the same basic installation method.

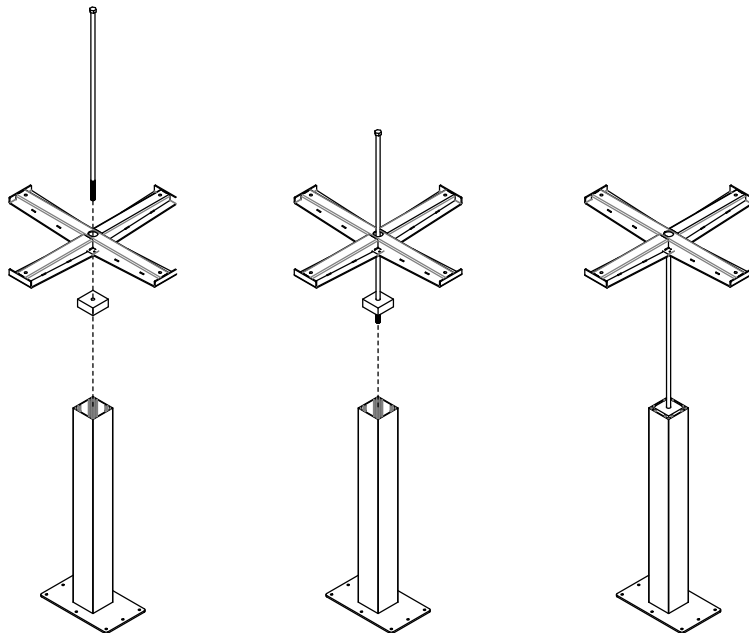
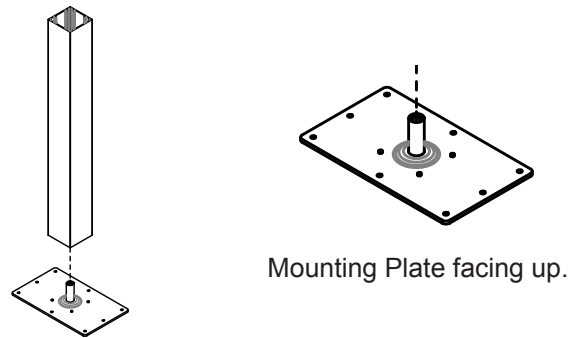
**Table Base Parts**

- 1. Mounting Plate
- 2. Column
- 3. Foam Block
- 4. Base (any Style, with Glides or Casters)
- 5. Long Bolt



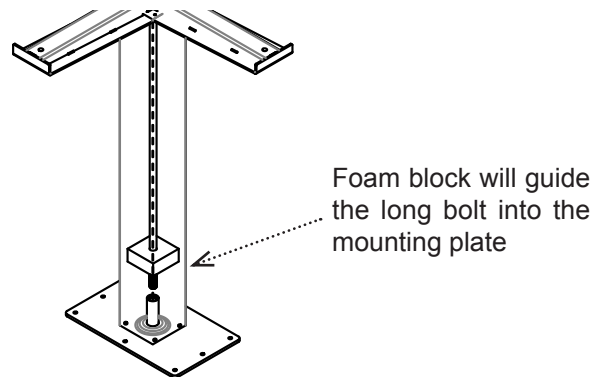
**Step 1**

Place the Mounting Plate on the floor facing up, and place the column onto the plate.



**Step 2**

Insert the Long Bolt through the Base, foam block, then into the column. Make sure to use the foam block, as it will align the long bolt with the mounting plate.



**Step 3**

Install Glides or Casters as needed

