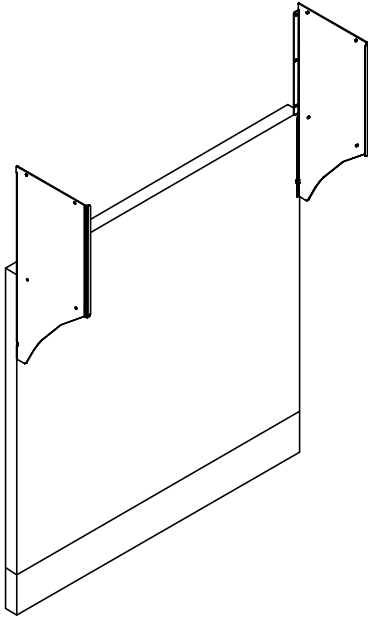


Details

Raised Overheads all use the same installation method until the front of the unit is installed. Please see the individual overhead type installation for adding the fronts.

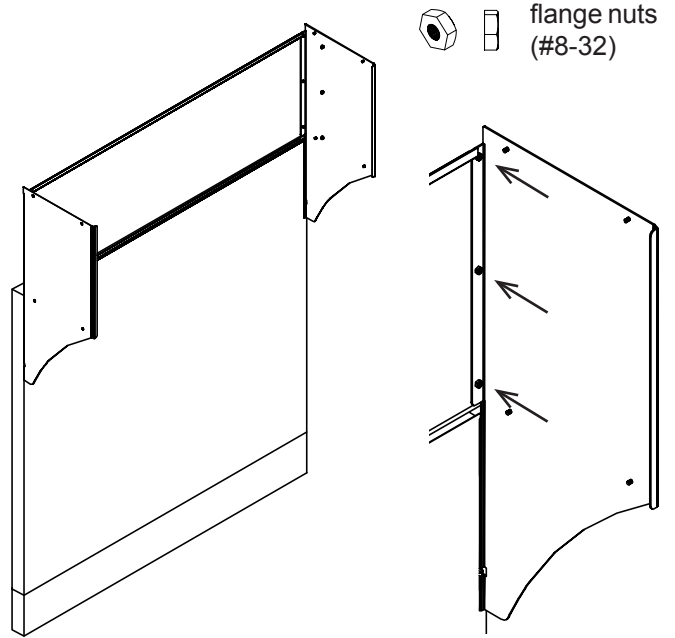
Step 1

Install raised overhead ends on the panel.



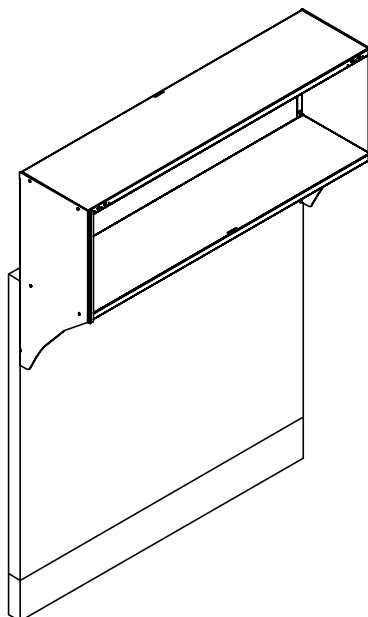
Step 2

Install rear panel onto shelf ends using (6) flange nuts (#8-32)



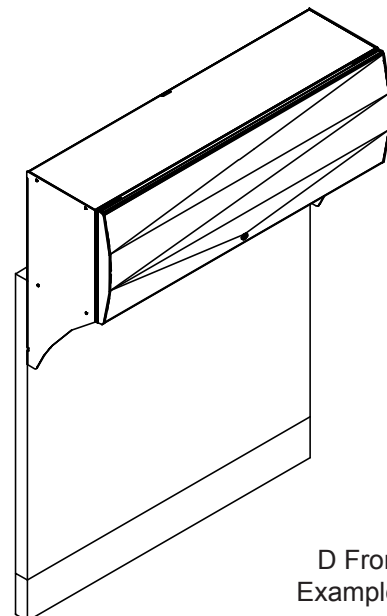
Step 3

Install top and bottom shelves, securing them with (8) flange nuts (#8-32).



Step 4

Install overhead front as needed. Please see individual overhead type for details.



D Front FDU Example Shown