

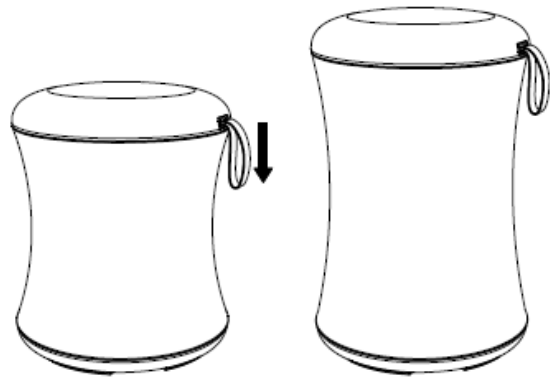
1. Functions



tilting



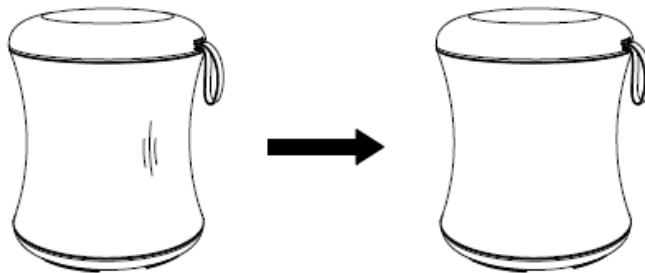
swiveling



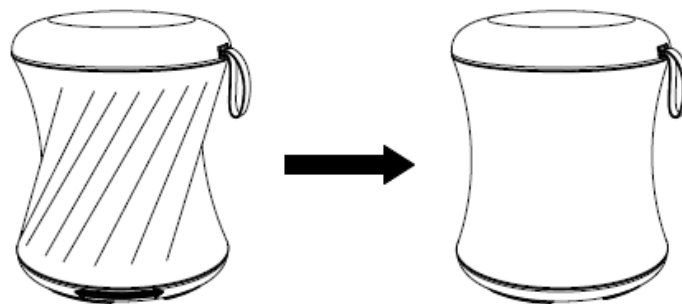
up and down – pull the strap

2. Fabric recovery

After an extended period of time at the high position, the fabric will appear loose when moving the **Sulli** to a lower position. The fabric will "recover" and appear without wrinkles after approximately 15 minutes.



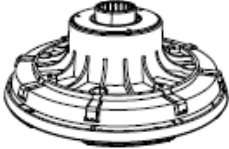


Accidental depressions in the fabric will smoothen out when raising and lowering the seat a few times.

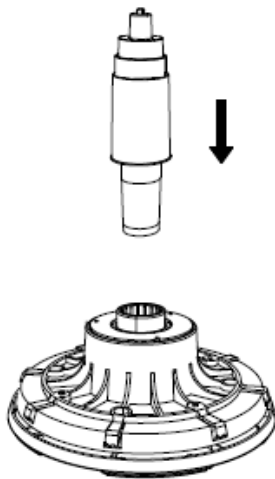


Twist the plastic cover on the bottom of **Sulli** to "untwist" fabric as needed.

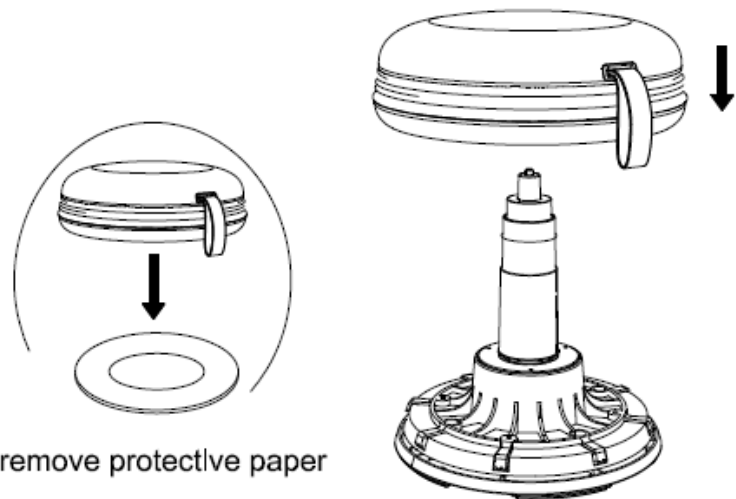
PARTS LIST

		
Top Assembly 1pc	Gaslift & Cover 1pc	Base Assembly 1pc

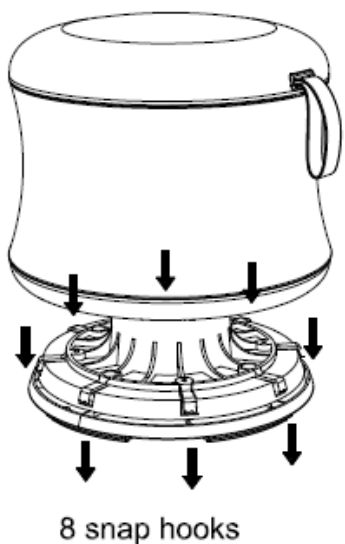
Step 1



Step 2



Step 3



Step 4

