

ENCOUNTER POWERBEAM POWERBENCH

May 2024 Price List

AIS

PRODUCT INFORMATION

Encounter PowerBeam Statement of Line 4
 Encounter PowerBeam Finish Options 7
 Encounter PowerBeam Typicals 10
 Encounter PowerBeam Product Details 14
 Encounter PowerBench A La Carte Product Components 17
 Encounter PowerBench Typicals 18
 Encounter PowerBench Product Details 23

SPINE BEAM KITS

Powered Spine Beam Kits 41
 Chicago Powered Spine Beam Kits 42
 Non-Powered Spine Beam Kits 43

LEGS

Legs for 21" High Spine Beams 44
 Legs for 25" High Spine Beams 45
 Legs for 29" High Spine Beams 46

H LEG ASSEMBLY

Encounter PowerBench H Leg 47
 Encounter PowerBench HAT Enclosed Bases 48
 Encounter PowerBench HAT 2 Leg, Single Sided 49
 Encounter PowerBench HAT Worksurfaces for Double H Leg 50
 Encounter PowerBench HAT 120, 3 Leg 51
 Encounter PowerBench H Leg Single-Sided Kit 52
 Encounter PowerBench H Leg Double-Sided Kit 53
 Encounter PowerBench H Leg 120 Single-Sided Kit 54
 Encounter PowerBench H Leg 120 Double-Sided Kit 55
 Encounter PowerBench H Leg 120 Triple-Sided Kit 56
 Encounter PowerBench Connection Kit 57

SPINE BEAM CONNECTORS

Endcaps, Supports, Flush Mount Connection Kits and Wall Anchor Brackets 58
 90° and 120° Connection Kits 59

ELECTRICAL AND DATA

Duplex Outlets 61
 Data Plate Kits 63
 Electrical Jumpers 64
 Base In-Feeds, Ceiling In-Feeds, Undermount and End Mount Poles 65
 Pole Extenders, Power Cord Trays and Cable Management Strips 66
 Wire Managers and Anti-Fatigue Mats 67
 Encounter PowerBeam Mini Shelf and Bag Hook 68

SPINE SCREENS

Glass 1/4" Universal Spine Insert Screens 69
 Glass 3/8" Universal Spine Insert Screens 70
 PET Universal Spine Insert Screens 71

GALLERY PANELS

Product Details 72
 Laminate Gallery Panels – Beam Mount, Single End 74
 Laminate Gallery Panels – Beam Mount, Double End 82
 Laminate Gallery Panels – Beam Mount for Wing, Single End 88
 Laminate Gallery Panels – Mid Mount End 94
 Laminate Gallery Panels – Mid Mount End for Wing 102
 Laminate Gallery Panels – Beam Mount Single Spine 108
 Laminate Gallery Panels – Beam Mount Double Spine 116
 Laminate Gallery Panels – Beam Mount Single Spine for Wing 122
 Laminate Gallery Panels – Mid Mount Spine 128
 Laminate Gallery Panels – Mid Mount Spine for Wing 136
 Laminate Gallery Wing Panels 142
 Wall Mounted Gallery Panels 143
 Wall Mounted Gallery Panel for Wings 146

UNDER SURFACE MOUNT LITE SCREENS FOR ENCOUNTER POWERBENCH

PET Encounter PowerBench U-Wrap Under Surface Mount Lite Screens 147
 PET Encounter PowerBench L-Wrap Under Surface Mount Lite Screens 149
 PET Encounter PowerBench Territory Under Surface Mount Lite Screens 151

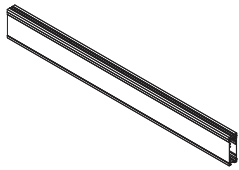
WARRANTY & TERMS AND CONDITIONS

For Warranty & Terms and Conditions please visit:
https://www.ais-inc.com/files/Terms_and_Conditions.pdf

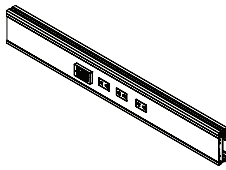
Note: Please see Screens Price Lists for PowerBeam specific screens.

Spine Beam Kits, Supports, Encounter PowerBench Components

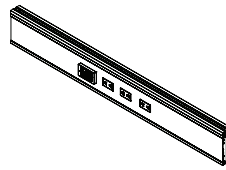
SPINE BEAM KITS



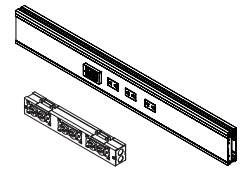
Non-Powered Spine Beam Kits
36" - 96 Wide



Single Sided Powered Spine Beam Kits
36" - 96 Wide

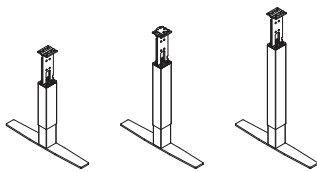


Powered Spine Beam Kits
36" - 96 Wide

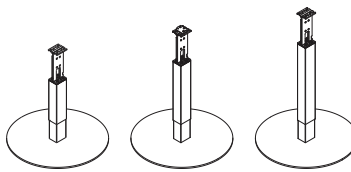


Chicago Powered Spine Beam Kits
36" - 96 Wide

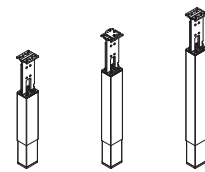
LEGS FOR SPINE BEAMS



T-Legs
For 21", 25" or 29" High Spine Beams

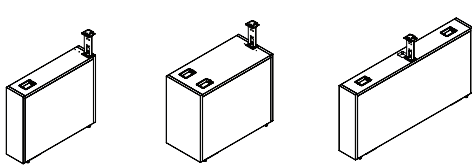


Disc Legs
For 21", 25" or 29" High Spine Beams

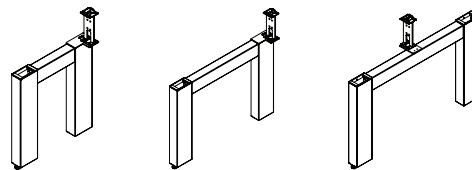


Post Legs
For 21", 25" or 29" High Spine Beams

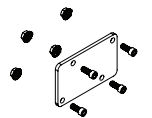
ENCOUNTER POWERBENCH



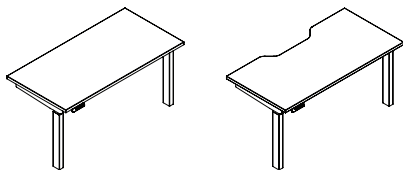
Encounter PowerBench Laminate Enclosed Bases
Single End, Single Shared, Double End or Double Shared



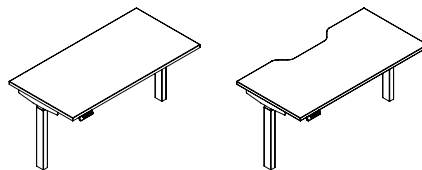
Encounter PowerBench H-Legs
120, Single, Double



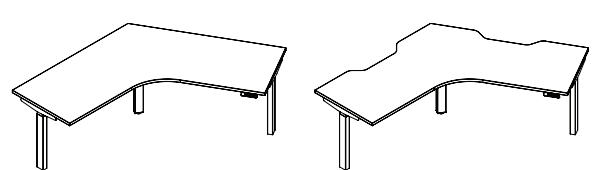
Encounter PowerBench Connection Kit for H-Legs



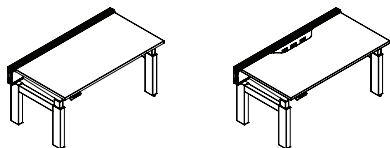
Encounter PowerBench Height Adjustable Tables for Single Benches
with Grommet options, with Scallop



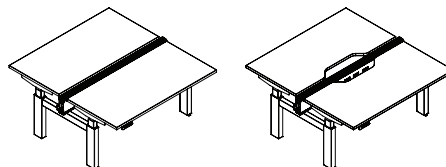
Encounter PowerBench Height Adjustable Tables for Double Benches
with Grommet options, with Scallop



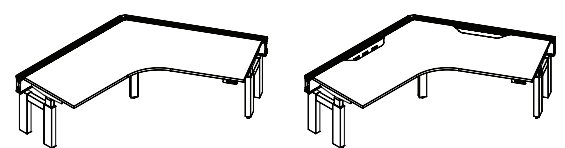
Encounter PowerBench Height Adjustable Tables for 120 Benches
with Grommet options, with Scallop



Encounter PowerBench Kits with H-Leg
Single, Single with Scallop



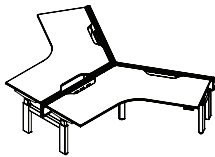
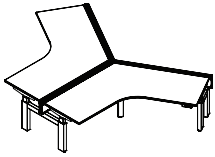
Encounter PowerBench Kits with H-Leg
Double, Double with Scallop



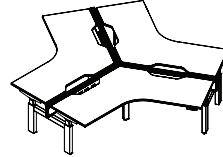
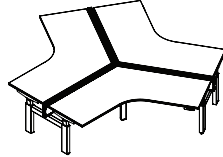
Encounter PowerBench Height Adjustable Table Kits for 120 Benches
Single, Single with Scallop

Encounter PowerBench 120 Kits, Spine Beam Connectors, Electrical and Data, Accessories

ENCOUNTER POWERBENCH

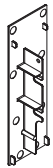


Encounter PowerBench Height Adjustable Table Kits
for 120 Benches
Double, Double with Scallop

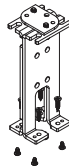


Encounter PowerBench Height Adjustable Table Kits
for 120 Benches
Triple, Triple with Scallop

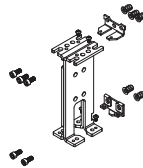
SPINE BEAM CONNECTORS



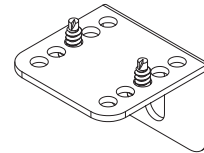
Endcap



Vertical Support for Storage

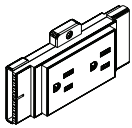


Flush Mount Connection Kit

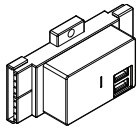


Beam Wall Anchor Bracket

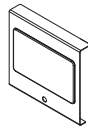
ELECTRICAL AND DATA



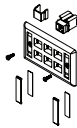
Duplex Outlet



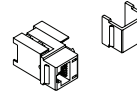
USB Outlet



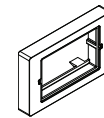
Encounter PowerBeam
Outlet Cover



Data Plate Kits



Data Plate Kit



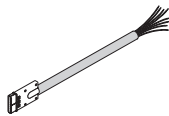
Single Gang Plate Adapter



Electrical Jumper



Ceiling In-Feed



Side-Mounted Base
In-Feed



Undermount Poles
For 21", 25" or 29" High



End Mount Poles
For 21", 25" or 29" High



Power/Data Pole
Extender

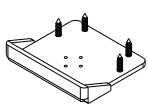


Cord Trays



Cable Management Strip

ACCESSORIES



Knife Edge
Wedge Bracket

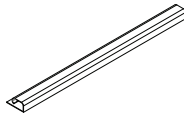
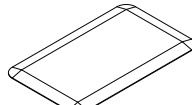


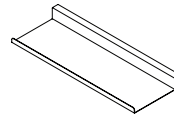
Table Wire Manager



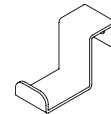
Wire Managers



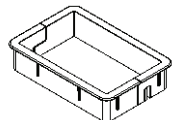
Anti-Fatigue Mats



Encounter PowerBeam
Mini Shelf



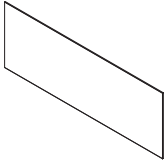
Encounter PowerBeam
Bag Hook



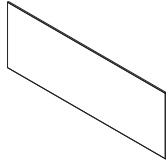
HAT Table Trim Ring

Spine Insert Screens, Extended Gallery Panels

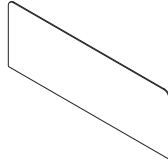
SPINE INSERT SCREENS



Universal Spine Insert Screens
1/4" Glass

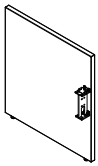


Universal Spine Insert Screens
3/8" Glass

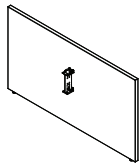


Universal Spine Insert Screens
1/4" Glass

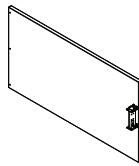
EXTENDED GALLERY PANELS



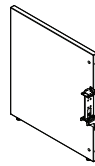
Beam Mount
Laminate Gallery Panels



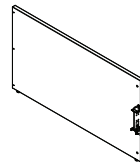
Beam Mount, Double
Laminate Gallery Panels



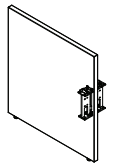
Beam Mount for Wing
Laminate Gallery Panels



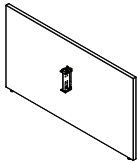
Mid Mount
Laminate Gallery Panels



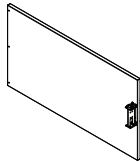
Mid Mount End for Wing
Laminate Gallery Panels



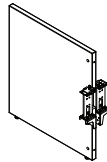
Beam Mount Spine
Laminate Gallery Panels



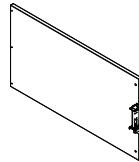
Beam Mount Spine, Double
Laminate Gallery Panels



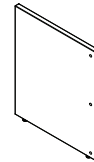
Beam Mount End for Wing
Laminate Gallery Panels



Mid Mount Spine
Laminate Gallery Panels

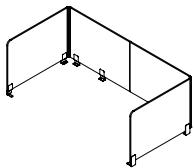


Mid Mount Spine for Wing
Laminate Gallery Panels

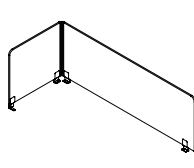


Laminate Gallery Wing Panels

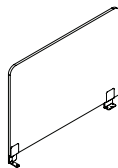
UNDER MOUNT LITE SCREENS FOR ENCOUNTER POWERBENCH



U-Wrap Under Mount
Lite Screens for Encounter
PowerBench



L-Wrap Under Mount
Lite Screens for Encounter
PowerBench



Territory Under Mount
Lite Screens for Encounter
PowerBench

Tackboard Fabric Options

VERTICAL SURFACE FABRICS

Name	Grade
Amaze	A
Avenue	A
Cape Cod	A
Engage	A
Mirador	A
New England	A
Rainfall	A
Simplicity	A
Theory	A
Twizzle	A
Lido	B
Marin	B
Nature	B
Off the Grid	B
Purpose	B
Spinel	B
Sprite	B

Note: 66" & 72" wide screens – if applying directional fabrics they will need to be railroaded for application. If using a COM fabric that is 54" wide, any screen over 48" wide would need to have the fabric railroaded as well.

C.O.M. Fabric Policy

- It is mandatory that you work directly with your AIS Customer Service Representative for all COM related testing and orders. They will provide all necessary forms to you, as well as work with you with regard to sending in correct yardage and where to send it, along with necessary RA# or #s. Please note an RA must be submitted along with the fabric for testing, as well as an RA created for an actual order.
- **Please Note:** A three to five yard sample is required for testing and approval for use on all monolithic panel systems. A one yard sample is required for testing and approval on Divi Insert Tiles, Matrix Tiles, flipper doors and tackboards. We may be able to test upholstery fabrics with a swatch, your Customer Service Representative will advise based on the fabric being tested; otherwise a 1 yard sample must be submitted for testing. Results take 48 - 72 hours.
- Customer Service must be advised as to the width of the fabric rolls being supplied (54"W or 60"W). Customer Service must also be advised if the fabric has a backer.
- Yardage required for the job must be calculated by an AIS Customer Service Rep.
- Once AIS has approved the COM fabric, a fabric sample needs to be marked by the dealer with "Front", "Top", and "Bottom", to be sure fabric is applied correctly. The fabric sample then needs to be attached to a COM Fabric Dealer Form and forwarded to AIS Customer Service. [The COM Fabric Dealer Form may be downloaded or printed here.](#)
- Fabrics may be discontinued or obsolete without notice.
- Contact AIS Customer Service with any questions regarding fabric availability.
- All directional fabric will be railroaded.

Encounter Paint, Edgeband and Tempered Glass Options

PAINT OPTIONS

Name	Color Code	Grade
Black	BK	A
Chalk	CK	A
Dark Tone	DT	A
Grey Value 1	GV1	A
Innertone	HT	A
Light Tone	LT	A
Medium Tone	MT	A
Metallic Silver	MS	A
Satin White	SW	A
Warm Brown	WB	A
Champagne Metallic	CHM	B
Dark Grey Metallic	DGM	B
Flint Grey Metallic	FGM	B
Light Grey	LG	B
Tan Value 1	TV1	B
Antique Gold	AG	C
Graphite Sky	GS	C
Burnt Orange	BO	C
Brown	BR	C
Steel Blue	SB	C
Baltic Blue	BB	C
Ruby Red	RR	C
Kelly Green	KG	C

Custom Paints

- Minimum order size for any custom color is \$75,000 list. Extended lead-time will apply.
- Any color not shown on Quick Ship, Standard Grade A, B or C will be considered custom.
- A \$450 net paint match fee will be assessed following receipt of (2) 5"x5" samples of paint being matched.
- Minimum order size for any custom color is \$75,000.00 list. Extended lead-time will apply.
- Additionally, Grade C paint up-charges will be applied to all applicable products on the order.
- **Important Custom Paint Note:** Most paint match pricing can be covered by the Grade C up-charge in the catalog, however the final pricing can only be determined after the paint is matched and a product list is provided to AIS customer service. An additional fee may apply based on job size and paint color.

TEMPERED GLASS OPTIONS

Name	3/8" Thick Frameless Glass
Bronze Tint	Y
Clear	Y
Frosted	Y
Grey Tint	Y

All glass is tempered. The etched side of Frosted and Aquis is only on one side of a screen, the opposite side is smooth. Please see specific price list pages on each type of glass for list pricing and up-charges.

EDGE BAND OPTIONS

Name	Color Code	Grade
Absolute Acajou	AA	A
Aimtoo Savatre	AS	A
Black	BK	A
Brazilwood	BZ	A
Chalk	CK	A
Corporate Walnut	CT	A
Dark Rum Cherry	DR	A
Dark Tone	DT	A
Field Elm	FE	A
Grand Cherry	GC	A
Grey Elm	GE	A
Grey Value 1	GV1	A
Landmark	LM	A
Leave Likatre	LV	A
Light Tone	LT	A
Linen	LN	A
Looks Likatre	LK	A
Maritime Dune	MD	A
Medium Tone	MT	A
Midwest Maple	MM	A
Neo Walnut	NW	A
Phantom Ecrú	PE	A
Phantom Pearl	PP	A
Satin White / True White	SW / TW	A
Storm	ST	A
Summer Drops	SD	A
Trytoo Savatre	TS	A
White Chocolate	WC	A

Custom Edgeband Options

- A \$450 net edge match fee will be assessed to custom match non-standard edgeband.
- Minimum order size for any custom color is \$75,000.00 list. Extended lead-time will apply.

Encounter Worksurface and Laminate Base

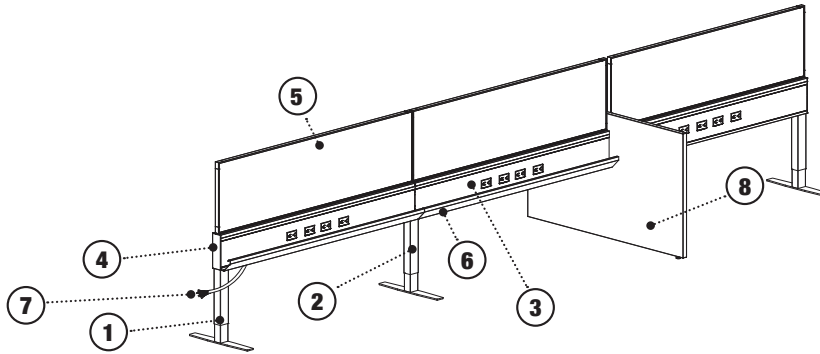
WORKSURFACE AND LAMINATE BASE OPTIONS	
Name	Grade
Absolute Acajou*	A
Aimtoo Savatre*	A
Black*	A
Brazilwood*	A
Chalk*	A
Corporate Walnut*	A
Dark Rum Cherry*	A
Field Elm	A
Grand Cherry*	A
Grey Elm	A
Landmark	A
Leave Likatre*	A
Linen	A
Looks Likatre*	A
Maritime Dune*	A
Midwest Maple*	A
Neo Walnut	A
Phantom Ecrú	A
Phantom Pearl	A
Storm*	A
Summer Drops*	A
True White*	A
Trytoo Savatre*	A
White Chocolate*	A
Asian Night	B
Asian Sand	B
Beige Granite	B
Colombian Walnut	B

WORKSURFACE AND LAMINATE BASE OPTIONS	
Name	Grade
Fonthill Pear	B
Grey Mesh	B
Gridlock in L.A.	B
Madagascar	B
Mahogany Clove	B
Monticello Maple	B
Nightfall	B
Paris White Potteryware	B
Pewter Mesh	B
Recon Oak	B
Shadow	B
Sunset	B
Titanium EV	B
Tungsten EV	B
White Spektrum	B
Windswept Poweter	B
Yorkshire Cherry	B
Ebony	C
Bright White (Writable Surface)	C
Pecan Woodline	C
Strand Burnt	C
Strand Wedge	C
Strand Wheat	C
Twill Earthen	C
Twill Graphite	C
Twill Sarum	C
Warm White	C

*Indicates a Grade A finish that can be used on Casegood body/case/door/drawer.

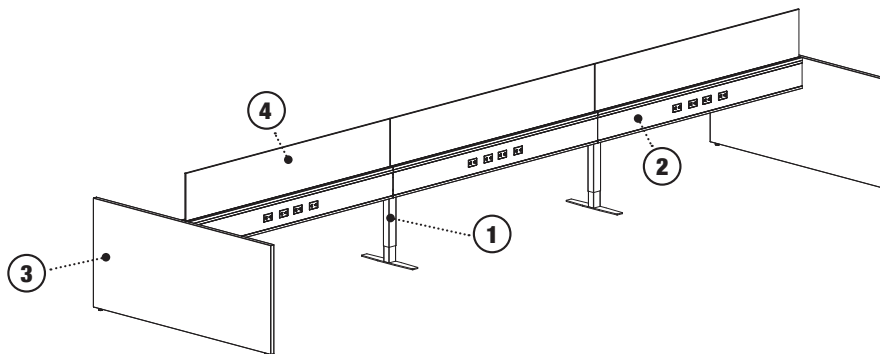
Encounter PowerBeam Typical

Typical 1



Description	Model Number	Quantity	Notes
1. T-Legs for 25" High Spine Beams	T-BTLEG2518	2x	Used at end of beam.
2. T-Legs for 25" High Spine Beams	T-BTLEG2518	1x	Shared between two Beam sections.
3. 60" Wide Powered Spine Beam	T-BP60	1x	Outlets ordered separately.
4. Beam Endcap	T-BREC	2x	Order separately. Not needed with end panels.
5. 16" High x 60" Wide Tackable or Whiteboard Fixed Height Screen	O-SSH1660	2x	16" high screen on 25" high Beam = 42" horizon.
6. 60" Wide Power Cord Tray	T-BPCT60	2x	Order separately.
7. Side Mount Base In-feed	E-UN8W4BIFS	1x	Order undermount pole separately if desired.
8. 48" Wide x 29" High Laminate Gallery Panel for 25" High Mounts	T-BLGP294825	1x	Shared between two Beam sections.

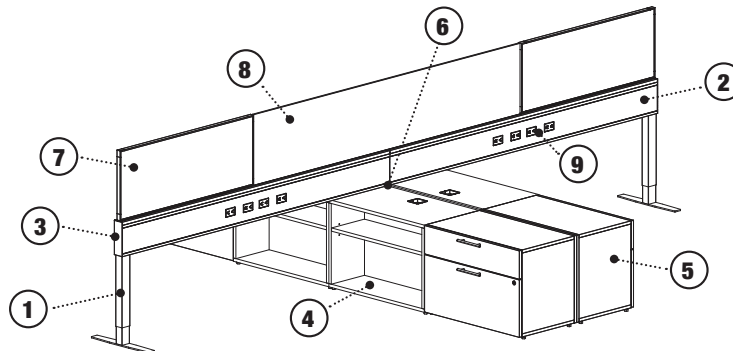
Typical 2



Description	Model Number	Quantity	Notes
1. T-Legs for 29" High Spine Beams	T-BTLEG2918	2x	Shared between two Beam sections.
2. 60" Wide Powered Spine Beam	T-BP60	3x	Outlets ordered separately.
3. 60" Wide x 29" High Double End Panel for 29" High Beam Mount	T-BLEP2960	2x	Endcaps not required when using end panels.
4. 12" High x 60" Wide Fixed Height Glass Spine Screen	O-SGH1260	3x	Glass can only be used on Beams that are attached to end panels, storage elements or 2, 3, or 4-way connections.

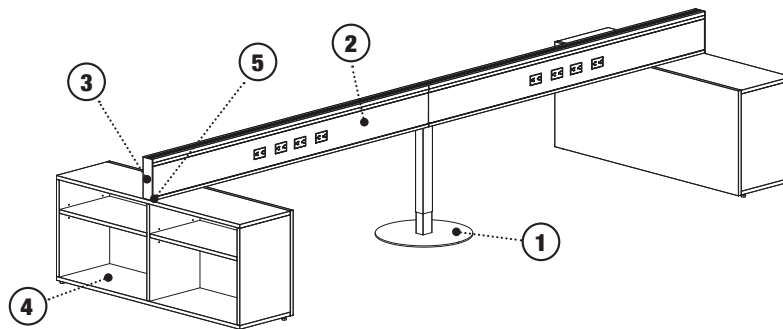
Encounter PowerBeam Typical

Typical 3



Description	Model Number	Quantity	Notes
1. T-Legs for 29" High Spine Beams	T-BTLEG2918	2x	Used at end of beam.
2. 72" Wide Powered Spine Beam	T-BP72	2x	Outlets ordered separately.
3. Beam Endcap	T-BREC	2x	Order separately. Not needed with end panels.
4. 18" Deep x 30" Wide x 21" High Calibrate HAT Base with Bookcase	X-HBBC3018	4x	From Calibrate line. Must support end of beam.
5. 30" Wide x 18" Deep x 21" High Calibrate BF Lateral	X-PLAT2D3018	4x	From Calibrate line.
6. Vertical Support for Storage Mounted Beam	T-BVS	1x	Specified when a leg support is replaced by storage element.
7. 16" High x 36" Wide Tackable or Whiteboard Fixed Height Screen	O-SSH1636	2x	16" high screen on 29" high Beam = 46" horizon.
8. 16" High x 72" Wide Fixed Height Glass	O-SGH1672	1x	Glass can only be used on Beams that are attached to end panels, storage elements or 2, 3, or 4-way connections.

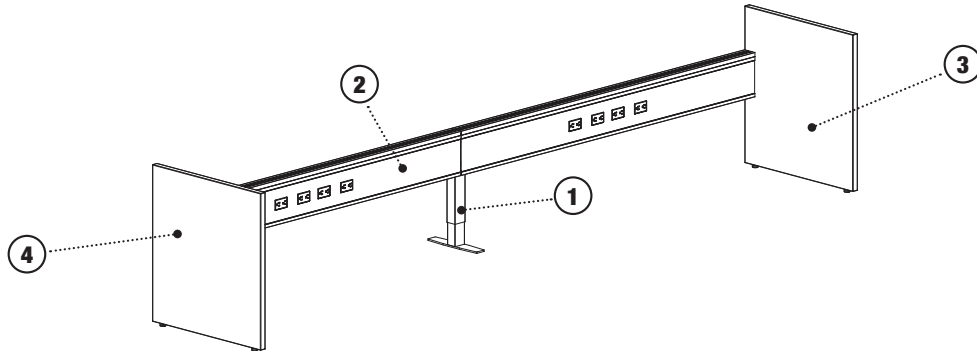
Typical 4



Description	Model Number	Quantity	Notes
1. Disc Leg for 29" High Spine Beams	T-BDLEG2918	1x	Shared between two Beam sections.
2. 60" Wide Powered Spine Beam	T-BP60	2x	Outlets ordered separately.
3. Beam Endcap	T-BREC	2x	Order separately. Not needed with end panels.
4. 14" Deep x 48" Wide x 21" High Calibrate Bookcase	X-BC204814	2x	From Calibrate line.
5. Vertical Support for Storage Mounted Beam	T-BVS	2x	Specified when a leg support is replaced by storage element.

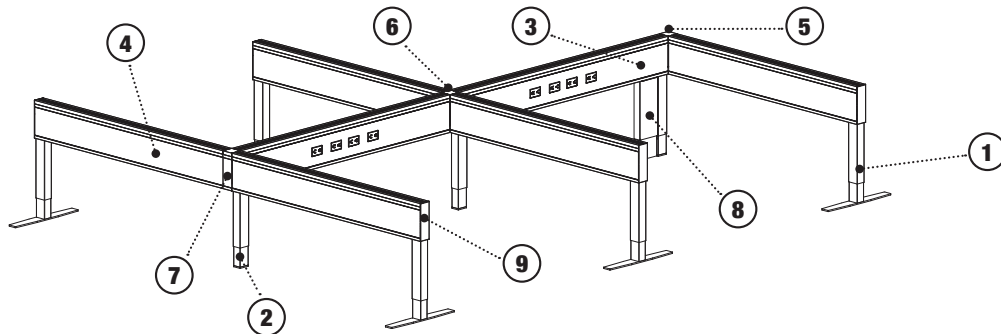
Encounter PowerBeam Typical

Typical 5



Description	Model Number	Quantity	Notes
1. T-Legs for 25" High Spine Beams	T-BTLEG2518	1x	Shared between two Beam sections.
2. 60" Wide Powered Spine Beam	T-BP60	2x	Outlets ordered separately.
3. 30" Deep x 29" High Right End Panel for 25" High Beam Mount	T-BLEP292425R	1x	Endcaps not required when using end panels.
4. 30" Deep x 29" High Left End Panel for 25" High Beam Mount	T-BLEP292425L	1x	Endcaps not required when using end panels.

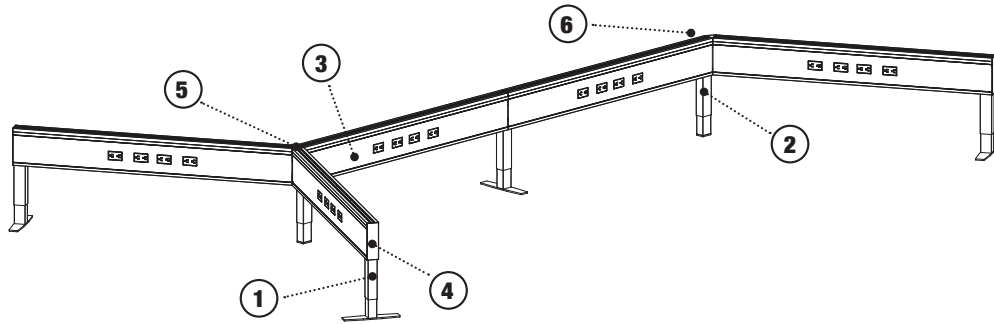
Typical 6



Description	Model Number	Quantity	Note
1. T-Legs for 25" High Spine Beams	T-BTLEG25	5x	Used at end of beam.
2. Post Legs for 25" High Spine Beams	T-BPLEG25	3x	Used only when connected to a 2, 3 or 4-way 90 or 120 degree connector.
3. 48" Wide Powered Spine Beam	T-BP48	2x	Outlets ordered separately.
4. 48" Wide Non-Powered Spine Beam	T-BNP48	5x	Used for running data or electrical pass-through cables, attaching accessories or screens.
5. 2-Way 90° Connection Kit	T-B2W90C	1x	Specify when attaching 2-beams together at 90 degree angles. Specify leg support separately.
6. 4-Way 90° Connection Kit	T-B4W90C	1x	Specify when attaching 4-beams together at 90 degree angles. Specify leg support separately.
7. 3-Way 90° Connection Kit	T-B3W90C	1x	Specify when attaching 3-beams together at 90 degree angles. Specify leg support separately.
8. Undermount Pole for 25" High Spine Beams	T-BUMP25	1x	Pole can be mounted at either end of any beam section.
9. Beam Endcap	T-BREC	5x	Order separately. Not needed with end panels.

Encounter PowerBeam Typical

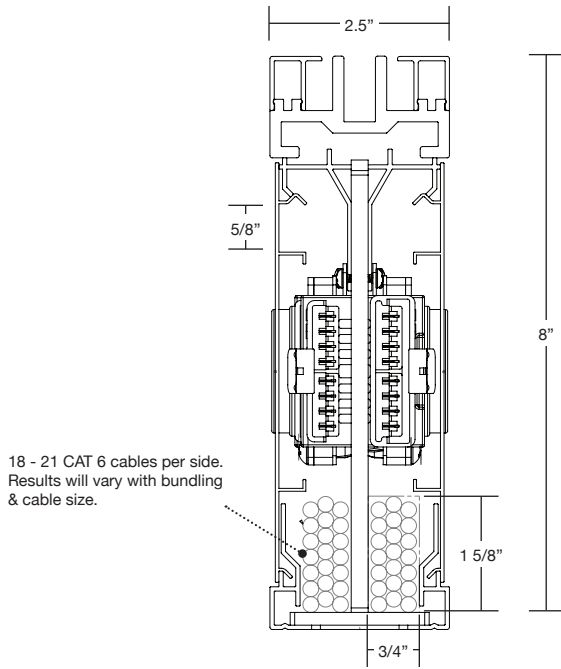
Typical 7



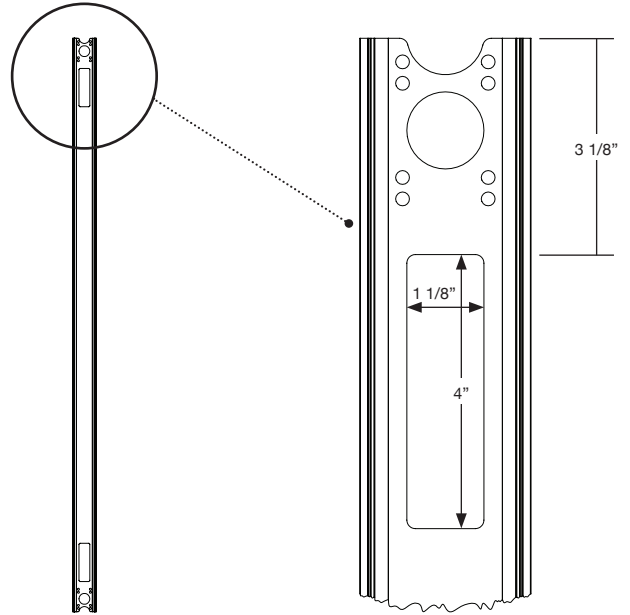
Description	Model Number	Quantity	Notes
1. T-Legs for 21" High Spine Beams	T-BTLEG2112	4x	Used at end of beam.
2. Post Legs for 21" High Spine Beams	T-BPLEG21	2x	Used only when connected to a 2, 3 or 4-way 90 or 120 degree connector.
3. 60" Wide Powered Spine Beam	T-BP60	5x	Outlets ordered separately.
4. Beam Endcap	T-BREC	3x	Ordered separately. Not needed with end panels.
5. 3-Way 120° Connection Kit	T-B3W120C	1x	Specify when attaching 3-beams together at 120 degree angles. Specify leg support separately.
6. 2-Way 120° Connection Kit	T-B2W120C	1x	Specify when attaching 2-beams together at 120 degree angles. Specify leg support separately.

Encounter PowerBeam Product Details

Beam Cable Capacity

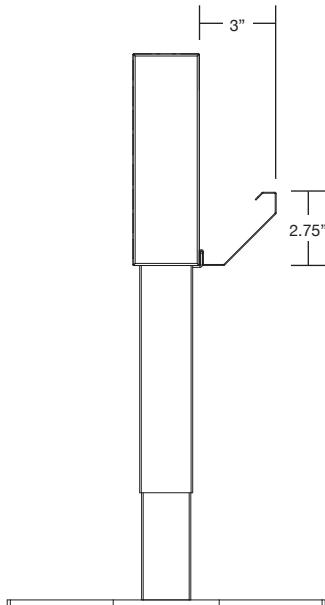


Beam Infeed Opening Details



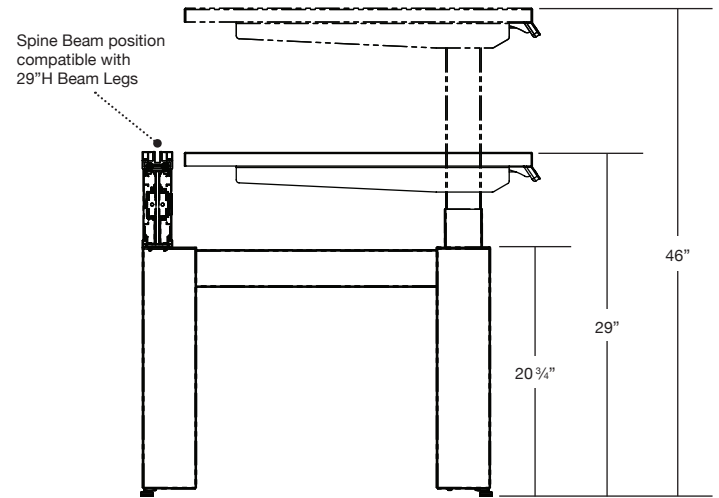
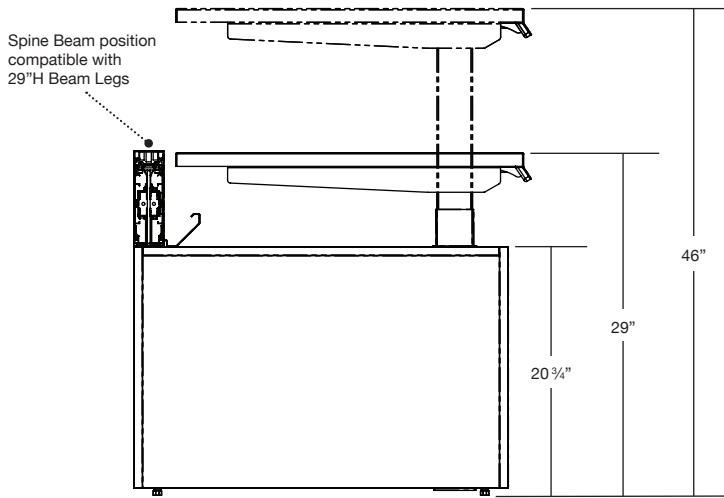
Power Cord Tray Details

Note: optional power tray ordered separately.

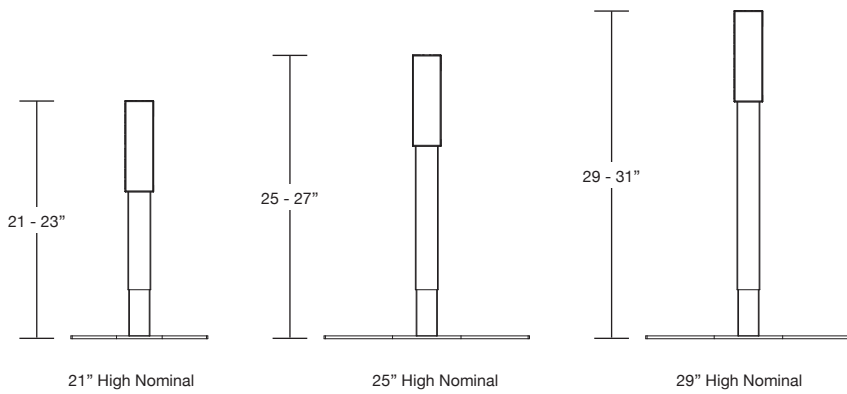


Encounter PowerBench Product Details

Encounter PowerBench Heights

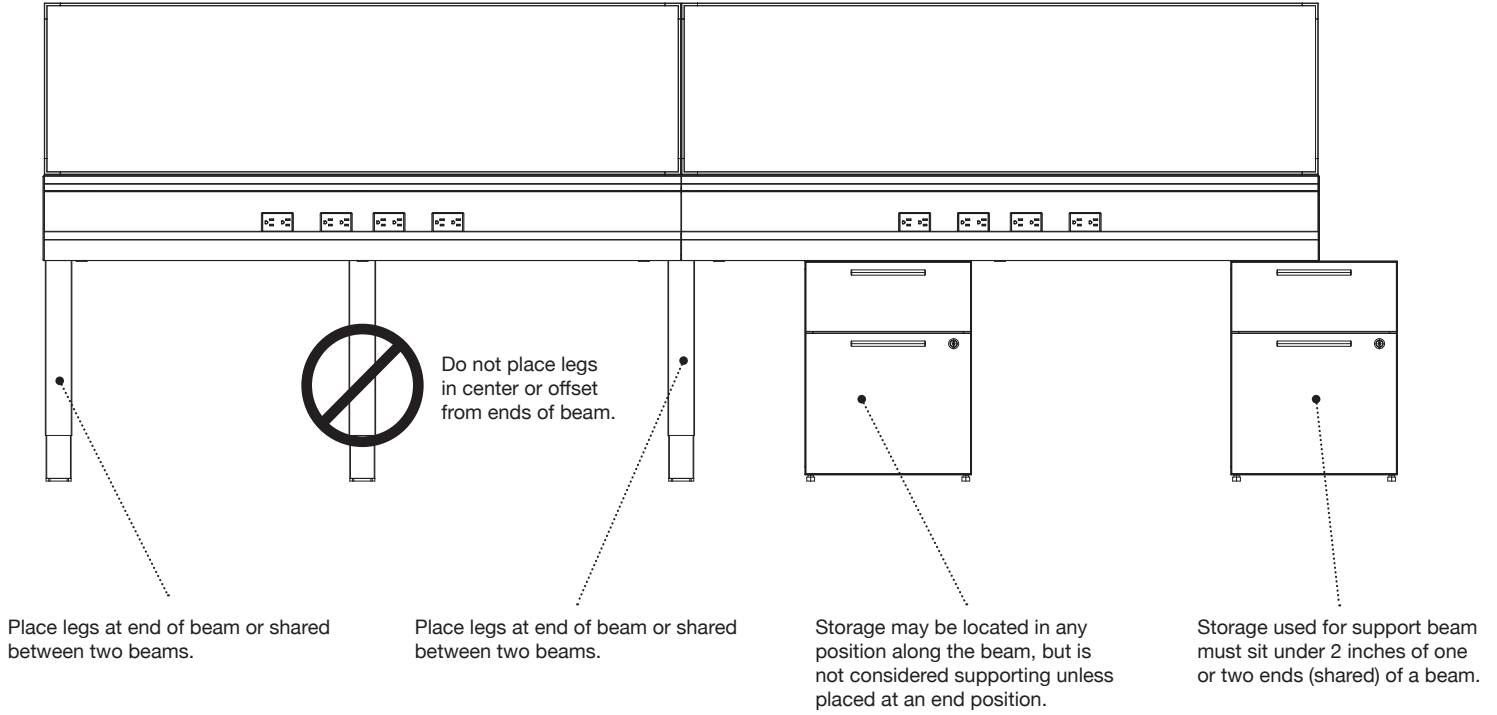


Beam Heights

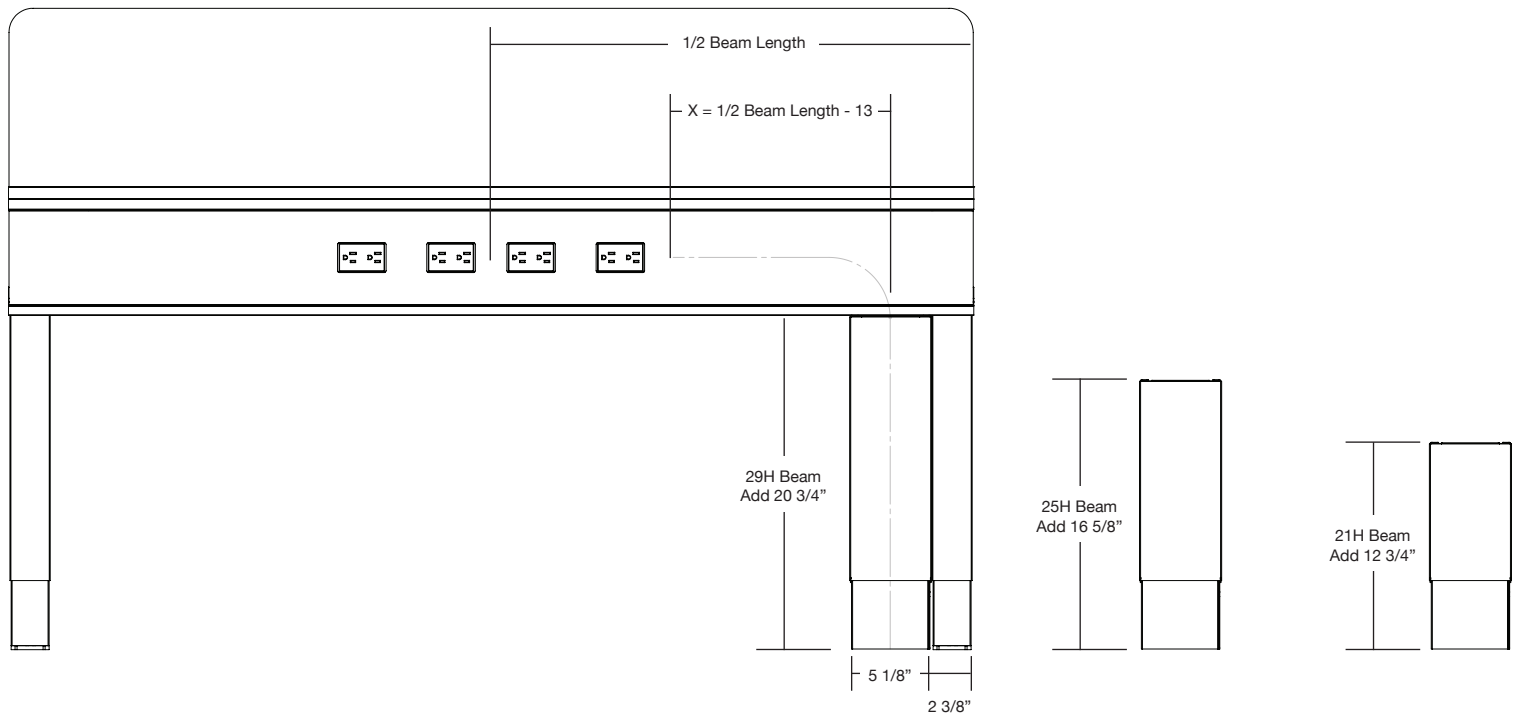


Encounter PowerBeam Product Details

Beam Details



Beam Infeed to Outlet Calculation



Encounter PowerBench A La Carte Product Components

Encounter PowerBench A La Carte Components

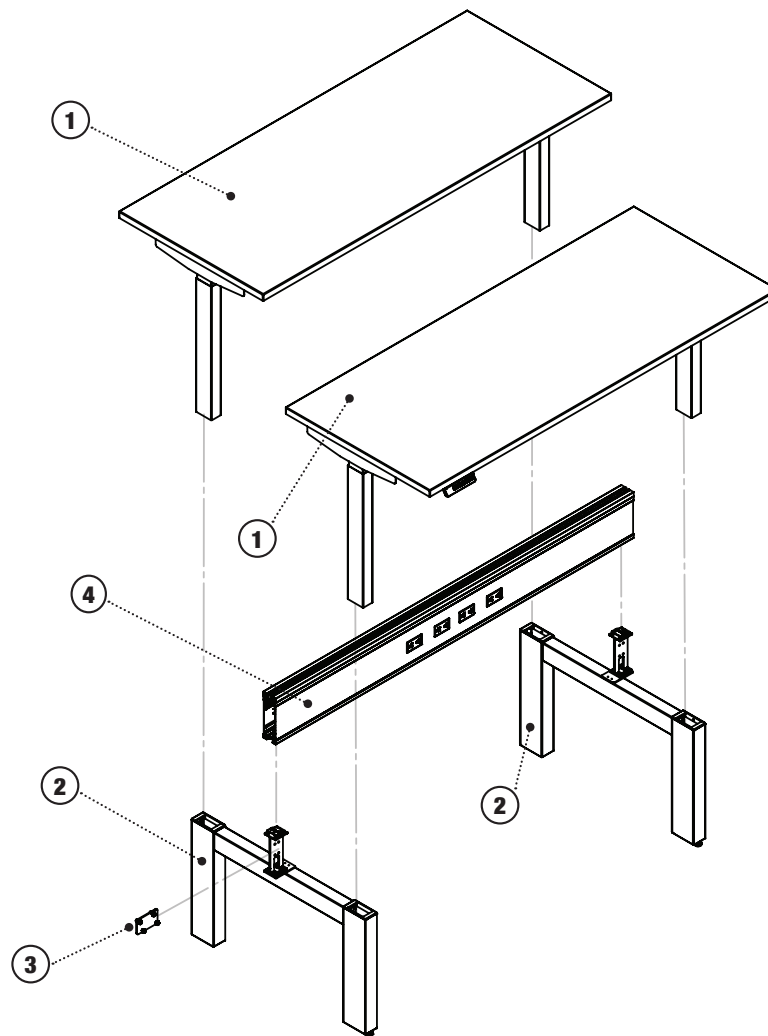
This typical shows the a la carte components that Encounter PowerBench Kits are comprised of – these have been created for the convenience of the designer. There are times when the designer will find it more desirable to create Encounter PowerBench from its base components instead.

Kits can be combined with a la carte components.

Common instances to use a la carte components instead of kits:

- Mixing different depth work surfaces on the same bench.
- Mixing H Leg with laminate bases.

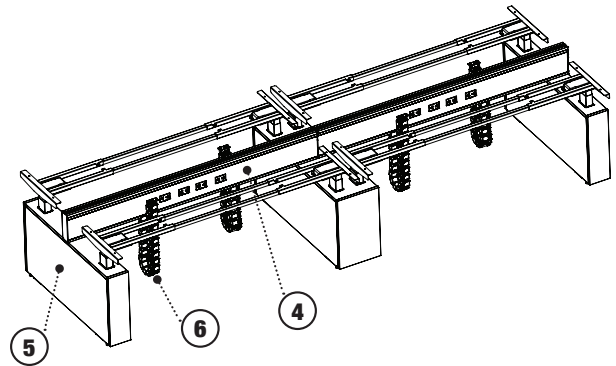
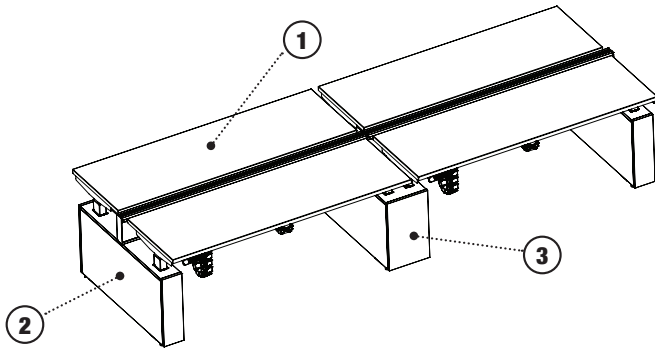
This typical outlines how PB-HDSPS6072 would be built from its base components.



Description	Model Number	Quantity	Notes
1. Encounter PowerBench HAT 2 Leg, Double Sided, Sq Edge, 30D x 72W	PB-2HS3072	2x	
2. Encounter PowerBench H Leg Double Sided	T-MBHUNDBL	2x	A la carte components used to make an Encounter PowerBench H Leg Kit.
3. Encounter PowerBeam Beam Spine Connection Kit, H Leg only	DD-BBSCP	1x	
4. Encounter PowerBeam Spine Kit 72W	T-BP72	1x	

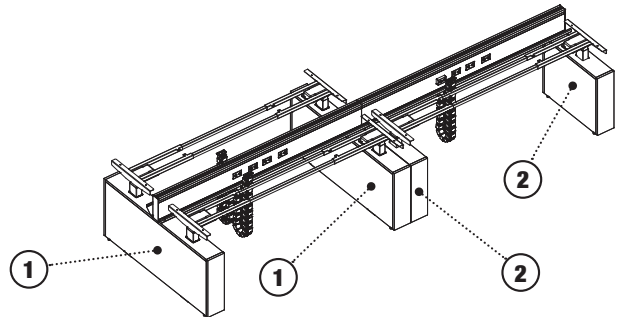
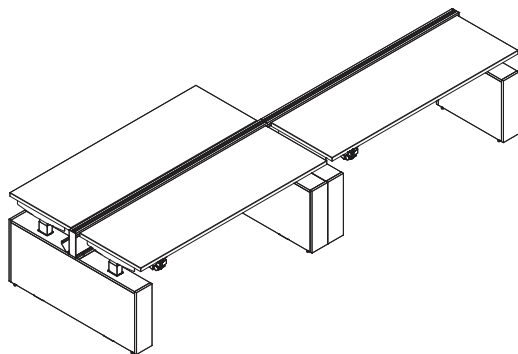
Encounter PowerBench Typicals

Encounter PowerBench Typical 1



Description	Model Number	Quantity	Notes
1. Encounter PowerBench HAT for Double Sided w/Scalloped, 30D x 60W	PB-2HS2472	4x	Double sided HAT required for Double Sided H-Leg or Double Sided Laminate Base.
2. Encounter PowerBench HAT Enclosed Base 60D for Double End	T-PBHB42DE	2x	End bases can be used at end of run or in middle of run.
3. Encounter PowerBench HAT Enclosed Base 60D for Double Shared	T-PBHB42DS	1x	Shared bases are used only in between two benches.
4. Encounter PowerBeam Spine Beam Kit 72"	T-BP72	2x	
5. Encounter PowerBeam Raceway Endcap	T-BREC	2x	Use at end of run.
6. Desking Vertical Wire Manager	T-TVWM40	4x	Optional

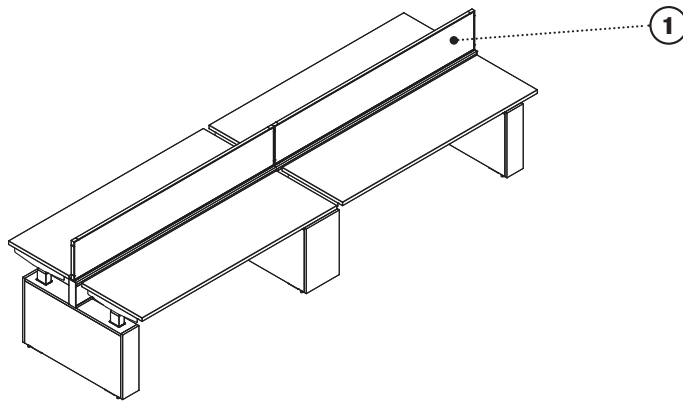
Encounter PowerBench Typical 2



Description	Model Number	Quantity	Notes
1. Encounter PowerBench HAT Enclosed Base 48D Double End	T-PBHB48DE	2x	End bases should be used when transitioning from double benches to single benches.
2. Encounter PowerBench HAT Enclosed Base 24D Single End	T-PBHB24SE	1x	End bases should be used when transitioning from double benches to single benches.

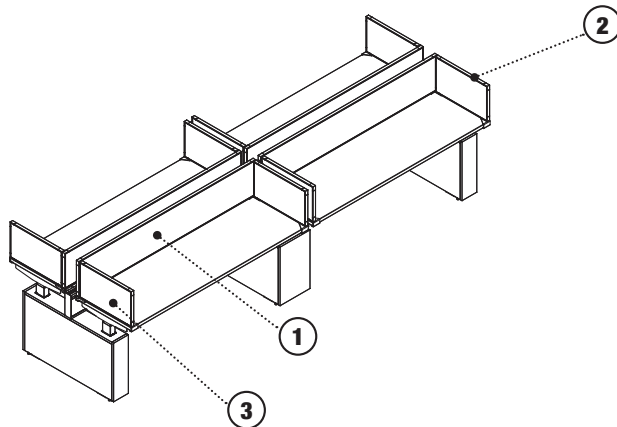
Encounter PowerBench Typicals

Encounter PowerBench Typical 3



Description	Model Number	Quantity	Notes
1. Slimline Scrn, Uni Spine, FVWL, Dim A, SpnMntUni, 12H x 72W	O-SSH1272	2	For Fixed height screens for Encounter PowerBench, choose: Where Used = "Universal Spine" Sized For = "Nominal/Actual" Mount Type = "Universal Spine"

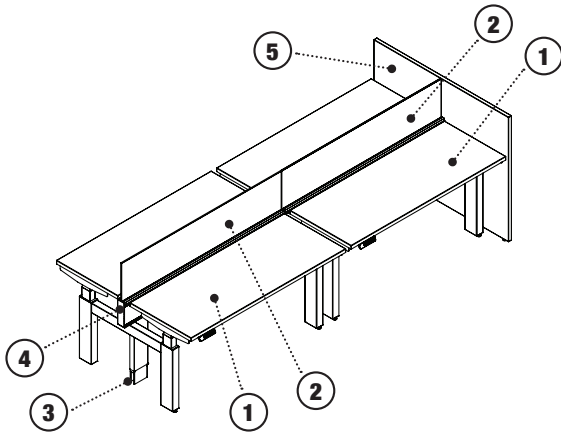
Encounter PowerBench Typical 4



Description	Model Number	Quantity	Notes
1. Slimline Scrn, Frnt-Rr, FVWL, Dim G, UMnt, Uni, 12H x 72W	T-SWMR1272	4	For Height Adjustable Screens on Encounter PowerBench back edge, choose: Where Used = "Front/Rear on Worksurface" Sized For = "Day to Day and Calibrate Widths" Mount Type = "Undersurface Mount"
2. Slimline Scrn, Terri, FVWL, Dim D, UMnt, RH, 12H x 24W	T-TSHR1224	4	For Height Adjustable Screens used at side of worksurface choose: Where Used = "Territory on Worksurface" Sized For = "Day to Day and Calibrate Hat Depths" Mount Type = "Undersurface Mount" Handedness = "Right Hand"
3. Slimline Scrn, Terri, FVWL, Dim D, UMnt, LH, 12H x 24W	T-TSHL1224	4	For Height Adjustable Screens used at side of worksurface choose: Where Used = "Territory on Worksurface" Sized For = "Day to Day and Calibrate Hat Depths" Mount Type = "Undersurface Mount" Handedness = "Left Hand"

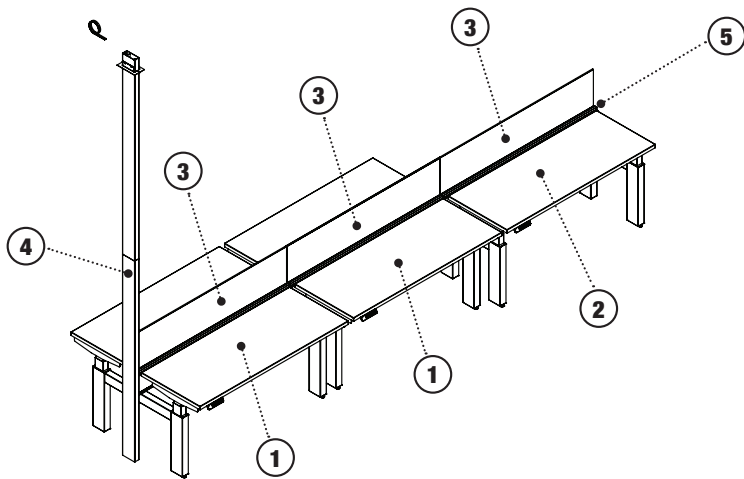
Encounter PowerBench Typicals

Encounter PowerBench Typical 5



Description	Model Number	Quantity	Notes
1. Encounter PowerBench Kit Double Sided, 48D x 60W	PB-HDSPS4860	2x	Benches, Spine Beam and H-Legs kitted together.
2. Universal Spine Screen, Glass, 12H x 60W x 3/8	O-SGH1260	3x	Universal Spine Screens are compatible with PowerBench in any material.
3. Encounter PowerBeam Under Mount pole for 29H	T-PBUMP29	1x	Always use 29H for PowerBench applications.
4. Encounter PowerBeam Raceway Endcap	T-BREC	1x	Use at end of run.
5. Encounter PowerBeam Gallery Panel, Double, 48W x 42H x 29H Mnt Vertical Grain	T-SLEP424829V	1x	

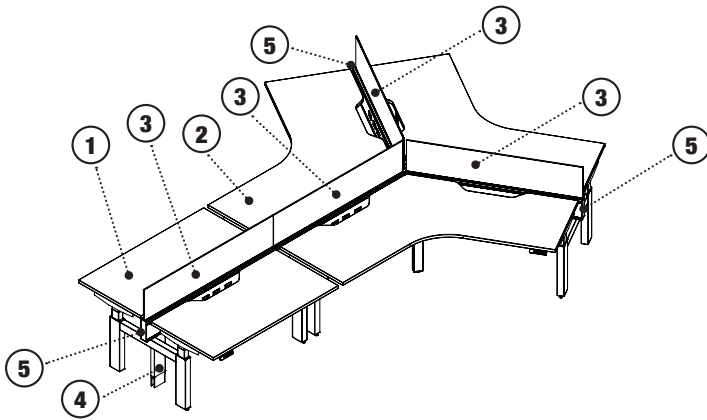
Encounter PowerBench Typical 6



Description	Model Number	Quantity	Notes
1. Encounter PowerBench Kit Double Sided, 48D x 60W	PB-HDSPS4860	2x	Benches, Spine Beam and H-Legs kitted together.
2. Encounter PowerBench Kit Single Sided, 24D x 60W	PB-HSSPS2460	3x	Bench, Spine Beam and H-Legs kitted together.
3. Universal Spine Screen, Glass, 12H x 60W x 3/8	O-SGH1260	3x	Universal Spine Screens are compatible with PowerBench in any material.
4. Encounter PowerBeam End Mount Pole for 29H Spine	T-BEMP29	1x	Always use 29H for PowerBench applications.
5. Encounter PowerBeam Raceway Endcap	T-BREC	1x	Use at end of run.

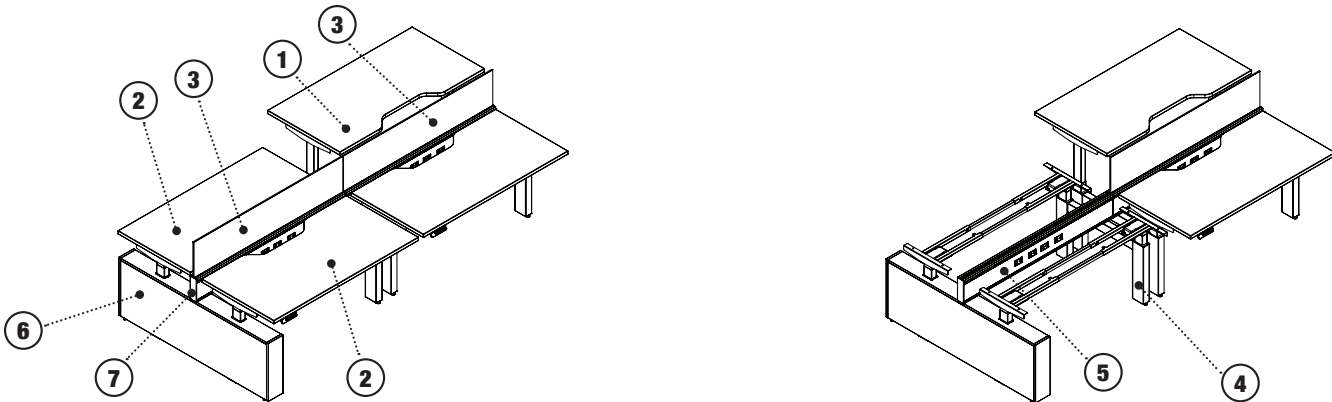
Encounter PowerBench Typicals

Encounter PowerBench Typical 7



Description	Model Number	Quantity	Notes
1. Encounter PowerBench Kit, Double Sided, 60D x 60W	PB-HDSPS6060S	1x	
2. Encounter PowerBench Kit, 120 Triple Sided, 30D x 60W	PB-H120TPS3060S	1x	
3. Universal Spine Screen, Glass, 12H x 60W x 3/8	O-SGH1260	4x	Universal Spine Screens are compatible with PowerBench in any material.
4. Encounter PowerBeam Under Mount pole for 29H	T-PBUMP29	1x	Always use 29H for PowerBench applications.
5. Encounter PowerBeam Raceway Endcap	T-BREC	3x	Use at end of run.

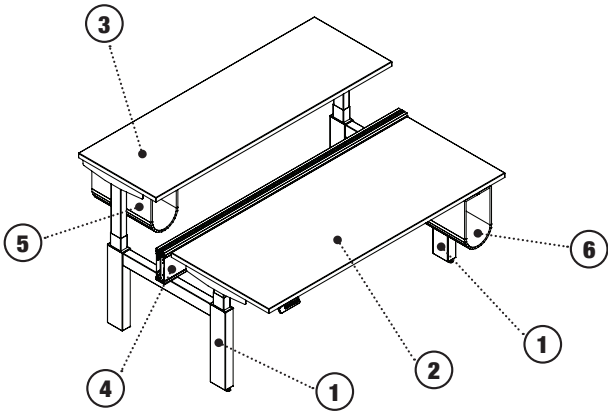
Encounter PowerBench Typical 8



Description	Model Number	Quantity	Notes
1. Encounter PowerBench Kit, Double Sided, 60D x 60W	PB-HDSPS6060S	1x	Benches, Spine Beam and H-Legs kitted together.
2. Encounter PowerBench HAT for Double Sided w/Scallops, 30D x 60W	PB-2HS3060S	2x	Double Sided HAT required for Double Sided H-Leg or Double Sided Laminate Base.
3. Universal Spine Screen, Glass, 12H x 60W x 3/8	O-SGH1260	2x	Universal Spine Screens are compatible with PowerBench in any material.
4. Encounter PowerBench H-Leg, Double Sided	T-MBHUNDBL	1x	
5. Encounter PowerBeam Spine Beam Kit	T-BP60	1x	
6. Encounter PowerBench HAT Enclosed Base, 60D for Double End	T-PBHB60DE	1x	
7. Encounter PowerBeam Raceway Endcap	T-BREC	1x	Use at end of run.

Encounter PowerBench Typicals

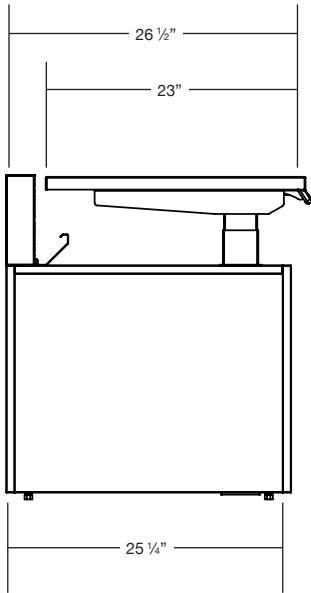
Encounter PowerBench Typical 9



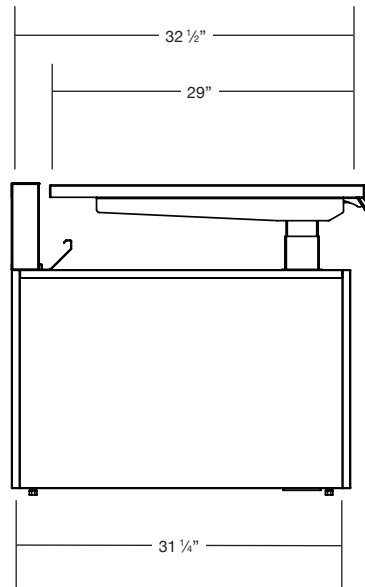
Description	Model Number	Quantity	Notes
1. PowerBench H-Leg Double-Sided	T-MBHUNDBL	2x	Use a la carte components to mix worksurface depths.
2. PowerBench HAT 2 Leg, Double Sided, Square Edge 30D x 72W	PB-2HS3072	1x	
3. PowerBench HAT 2 Leg, Double Sided, Square Edge 24D x 60W	PB-2HS2472	1x	
4. Encounter PwrBeam Powered Spine Kit Encounter PowerBeam Powered Spine Kit 72W	T-BP72	1x	
5. PET Sling for 24D Surface 14H x 8W x 18D	A-PETS140818	1x	
6. PET Sling for 30D Surface 14H x 8W x 24D	A-PETS140824	1x	

Encounter PowerBench Product Details

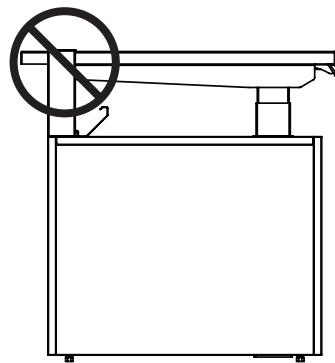
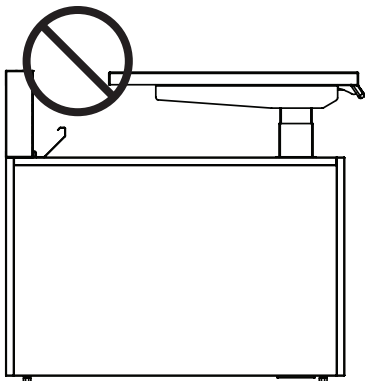
Encounter PowerBench HAT Enclosed Single Sided Bases with HAT Surface Dimensions



Encounter PowerBench
24D Single Sided Enclosed Base
with 24D Encounter PowerBench HAT



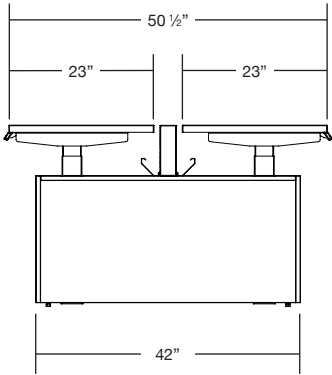
Encounter PowerBench
30D Single Sided Enclosed Base
with 30D Encounter PowerBench HAT



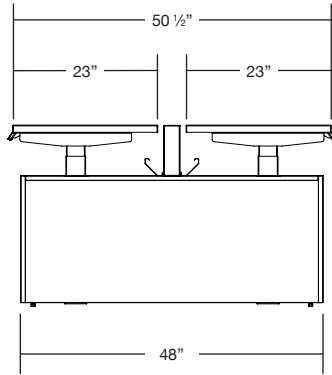
Do not mix single benches. 24D Table with 30D Leg and 30D Leg with 24D Tables shown.

Encounter PowerBench Product Details

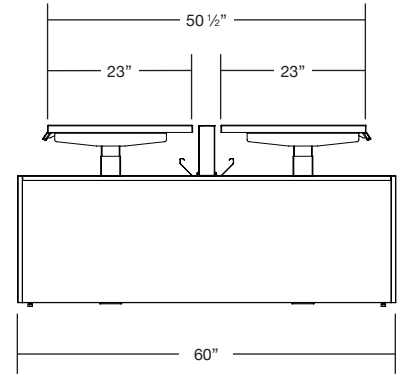
Encounter PowerBench HAT Enclosed Double Sided Bases with HAT Surface Dimensions



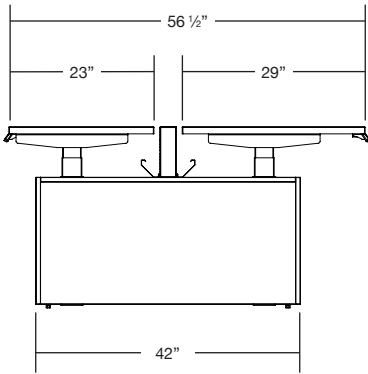
Encounter PowerBench
42D Laminate Base
(2) 24D Encounter PowerBench HATs
for Double Bench



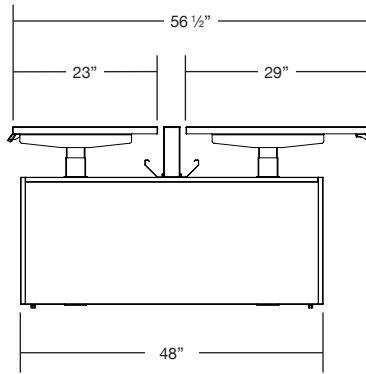
Encounter PowerBench
48D Laminate Base
(2) 24D Encounter PowerBench HATs
for Double Bench



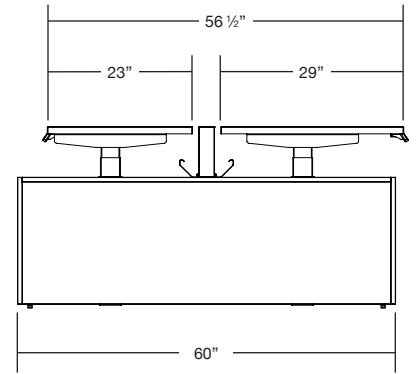
Encounter PowerBench
60D Laminate Base
(2) 24D Encounter PowerBench HATs
for Double Bench



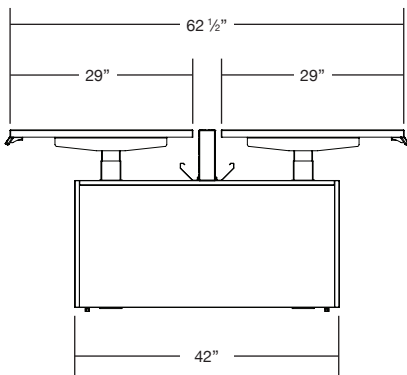
Encounter PowerBench
42D Laminate Base
(1) 30D Encounter PowerBench HATs
for Double Bench
(1) 24D Encounter PowerBench HATs
for Double Bench



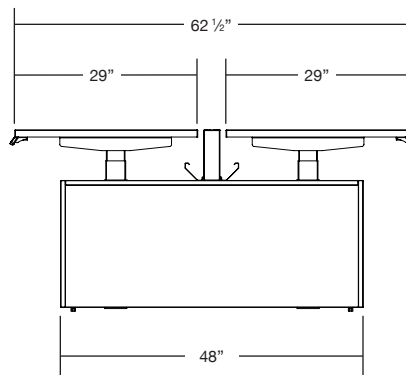
Encounter PowerBench
48D Laminate Base
(1) 30D Encounter PowerBench HATs
for Double Bench
(1) 24D Encounter PowerBench HATs
for Double Bench



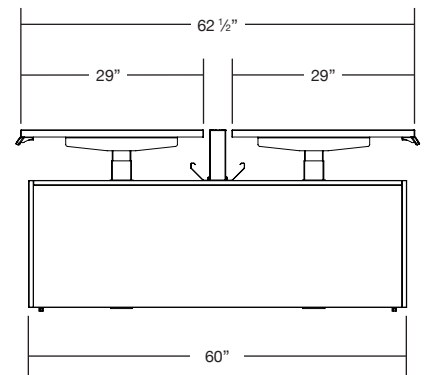
Encounter PowerBench
60D Laminate Base
(1) 30D Encounter PowerBench HATs
for Double Bench
(1) 24D Encounter PowerBench HATs
for Double Bench



Encounter PowerBench
42D Laminate Base
(2) 30D Encounter PowerBench HATs
for Double Bench



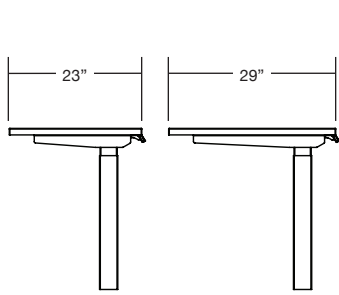
Encounter PowerBench
48D Laminate Base
(2) 30D Encounter PowerBench HATs
for Double Bench



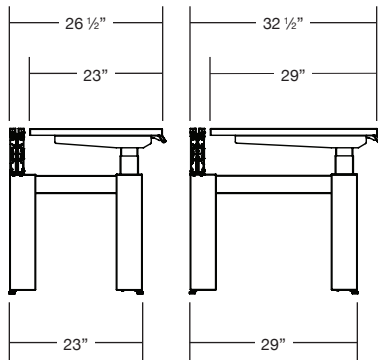
Encounter PowerBench
60D Laminate Base
(2) 30D Encounter PowerBench HATs
for Double Bench

Encounter PowerBench Product Details

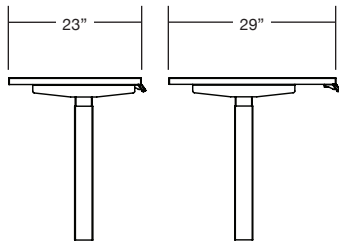
Encounter PowerBench Height Adjustable Tables – Depths of Tables vs Depths of Tables with Spines



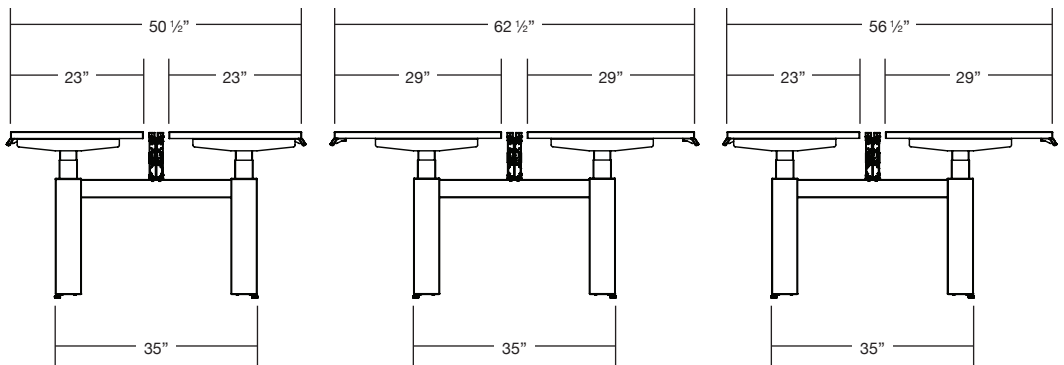
Encounter PowerBench HATs
23D and 29D Laminate Base, Single



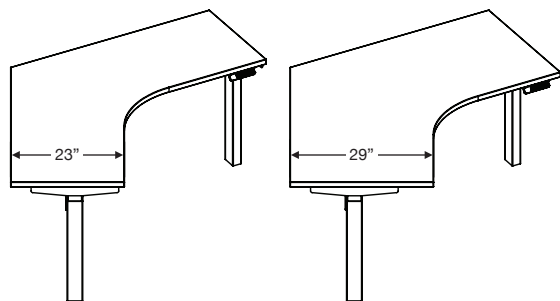
Encounter PowerBench HATs with Spines
23D and 29D Laminate Base, Single



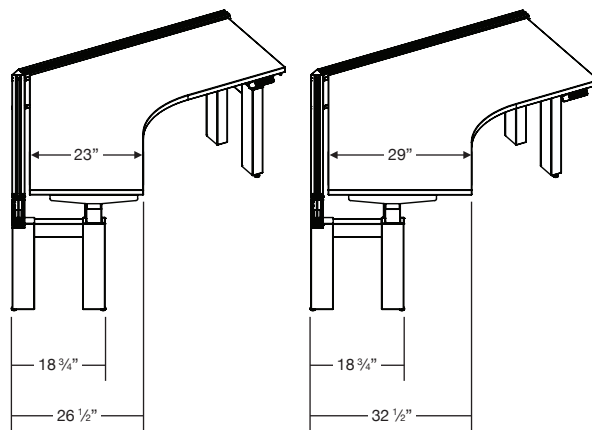
Encounter PowerBench HATs
23D and 29D Laminate Base, Double



Encounter PowerBench HATs with Spines
23D and 29D Laminate Base, Double



Encounter PowerBench HATs
23D and 29D Laminate Base, 120



Encounter PowerBench HATs with Spines
23D and 29D Laminate Base, 120

Encounter PowerBench Product Details

Encounter PowerBench Grommet Details

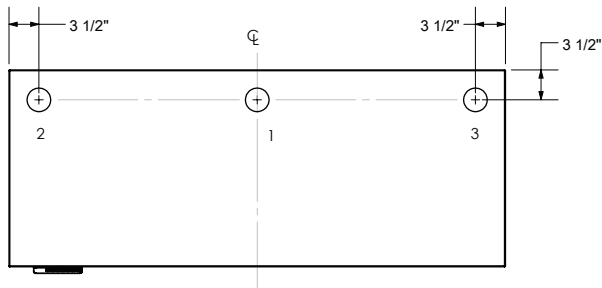
RECTANGULAR GROMMET OPTIONS

Option	Location	List
A	No Grommets	-
B	Location 1	+38
C	Location 2	+38
D	Location 3	+38
E	Locations 2 and 3	+76
F	Locations 1, 2 and 3	+114
G	Locations 1 and 2	+76
H	Locations 1 and 3	+76

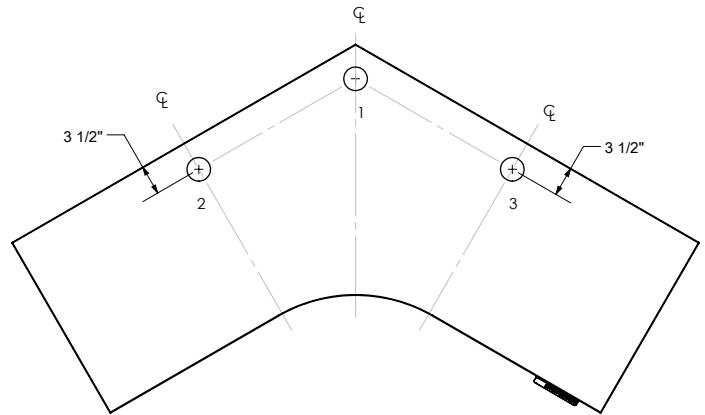
120 GROMMET OPTIONS

Option	Location	List
A	No Grommets	-
B	Location 1	-
C	Location 1 and 2	+38
D	Location 1 and 3	+38
E	Locations 1, 2 and 3	+76

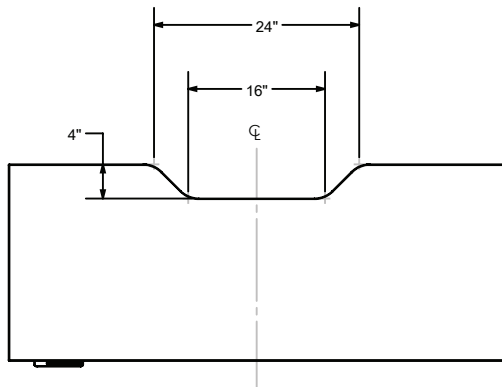
Single and Double Benches



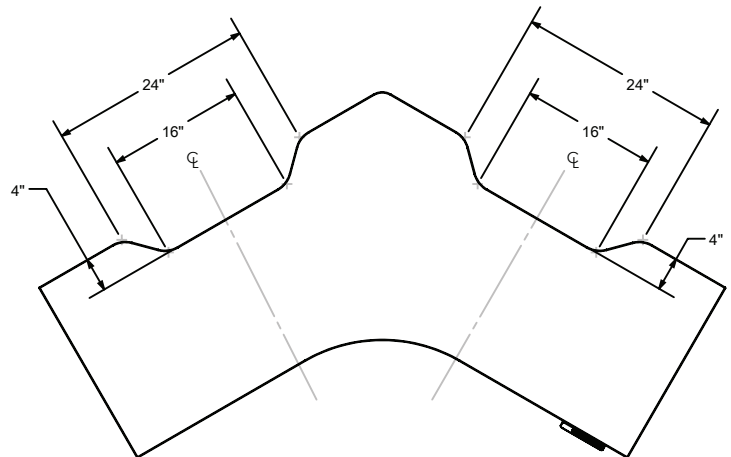
120 Benches



Single and Double Benches with Scallops



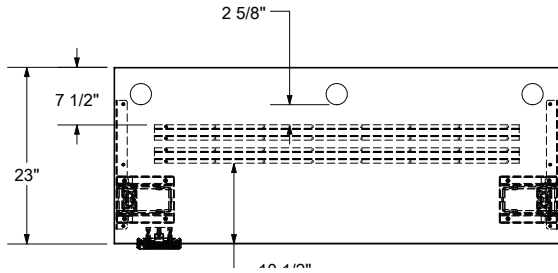
120 Benches with Scallops



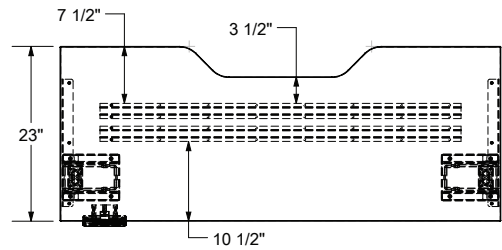
Encounter PowerBench Product Details

Grommet and Scallop Locations for Encounter PowerBench Single Tables

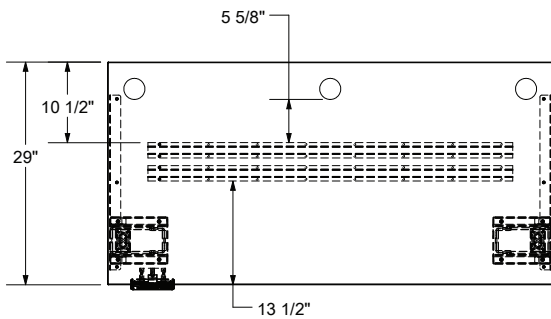
Grommet Location for 24" Deep Single Tables



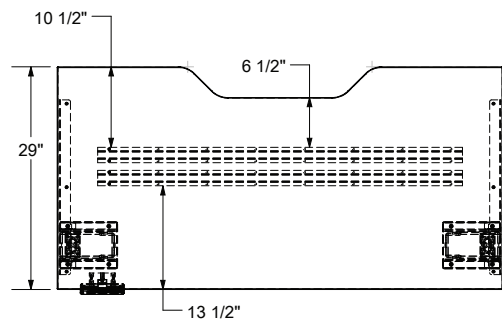
Scallop Location for 24" Deep Single Tables



Grommet Location for 30" Deep Single Tables

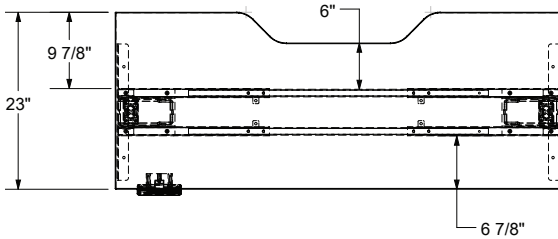


Scallop Location for 30" Deep Single Tables

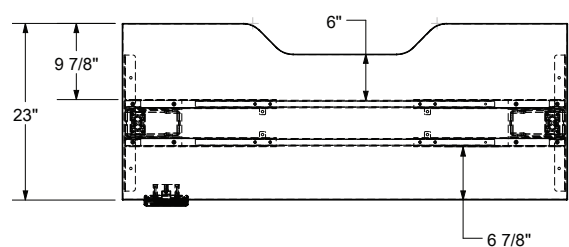


Grommet and Scallop Locations for PowerBench Double Tables

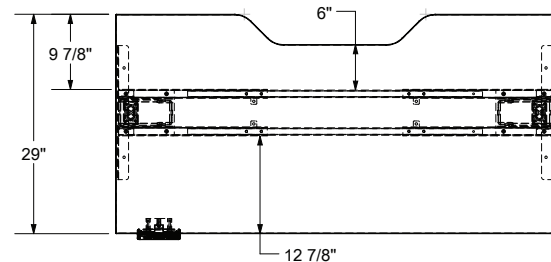
Grommet Location for 24" Deep Double Tables



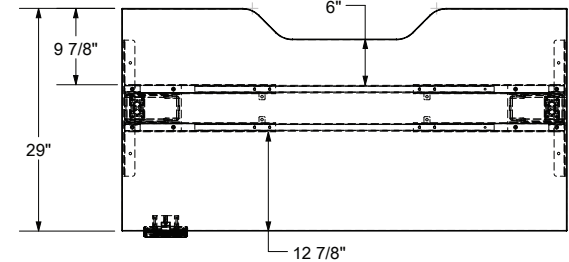
Scallop Location for 24" Deep Double Tables



Grommet Location for 30" Deep Double Tables



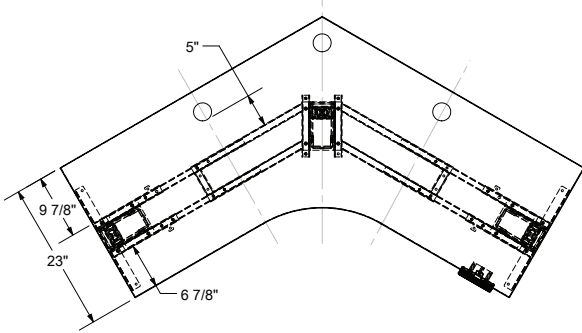
Scallop Location for 30" Deep Double Tables



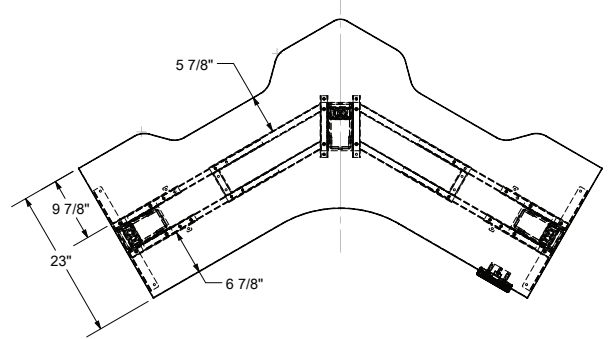
Encounter PowerBench Product Details

Grommet and Scallop Locations for PowerBench 120 Tables

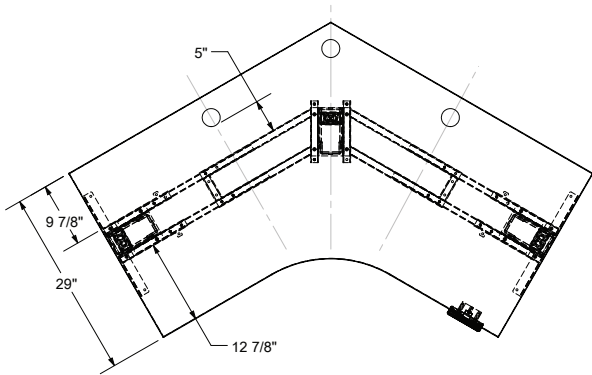
Grommet Location for 24" Deep 120 Tables



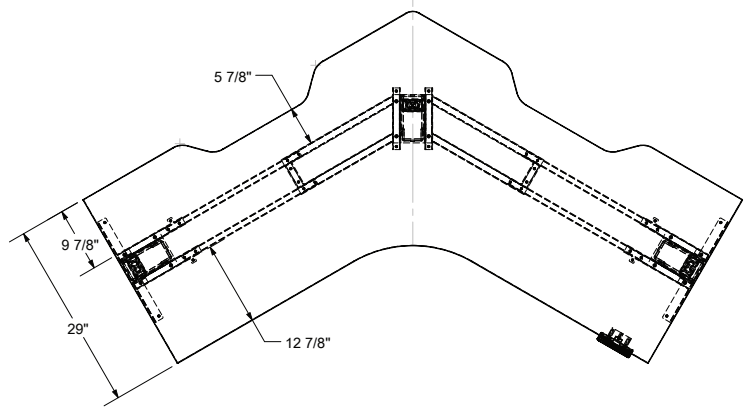
Scallop Location for 24" Deep 120 Tables



Grommet Location for 30" Deep 120 Tables

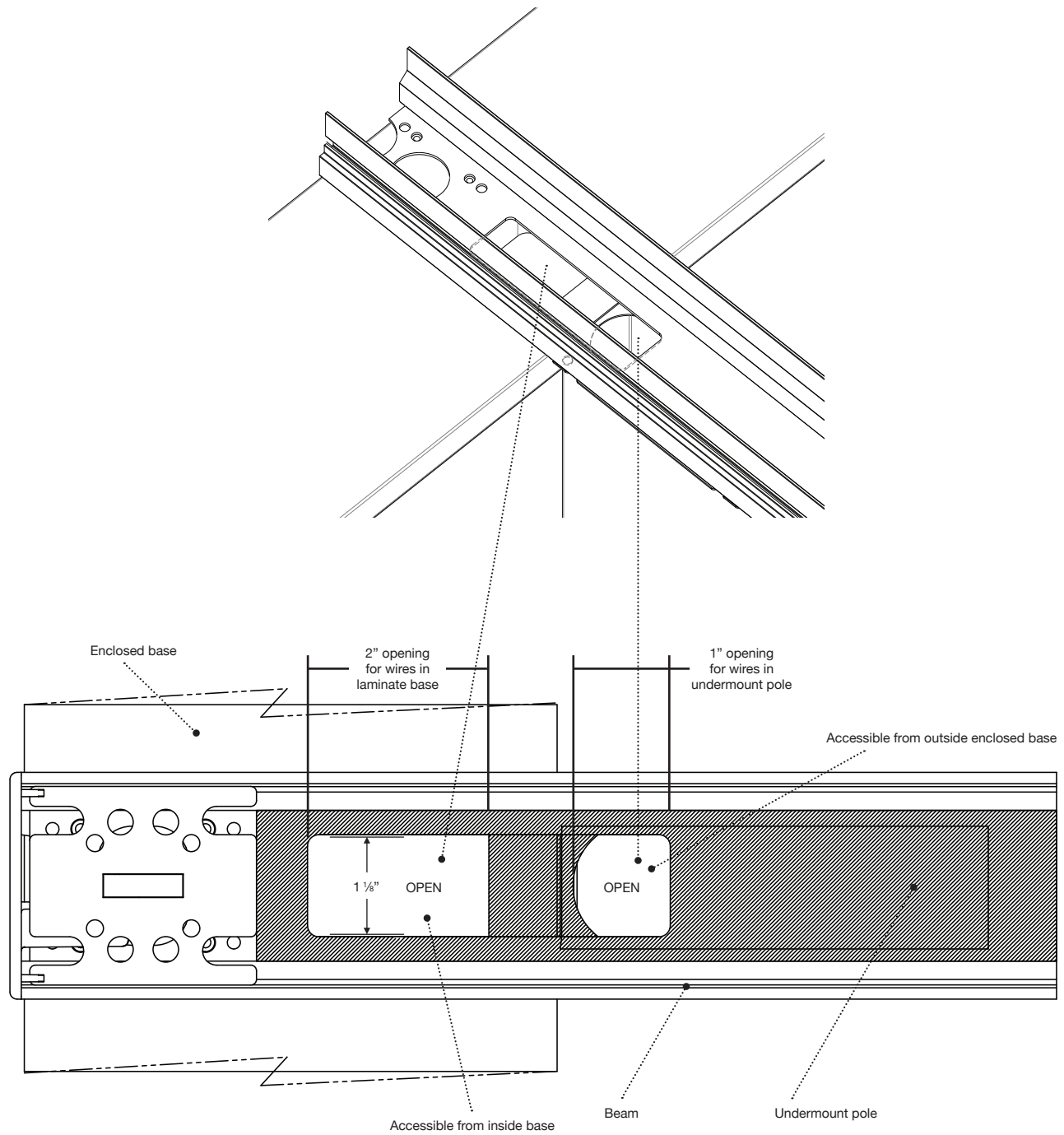


Scallop Location for 30" Deep 120 Tables



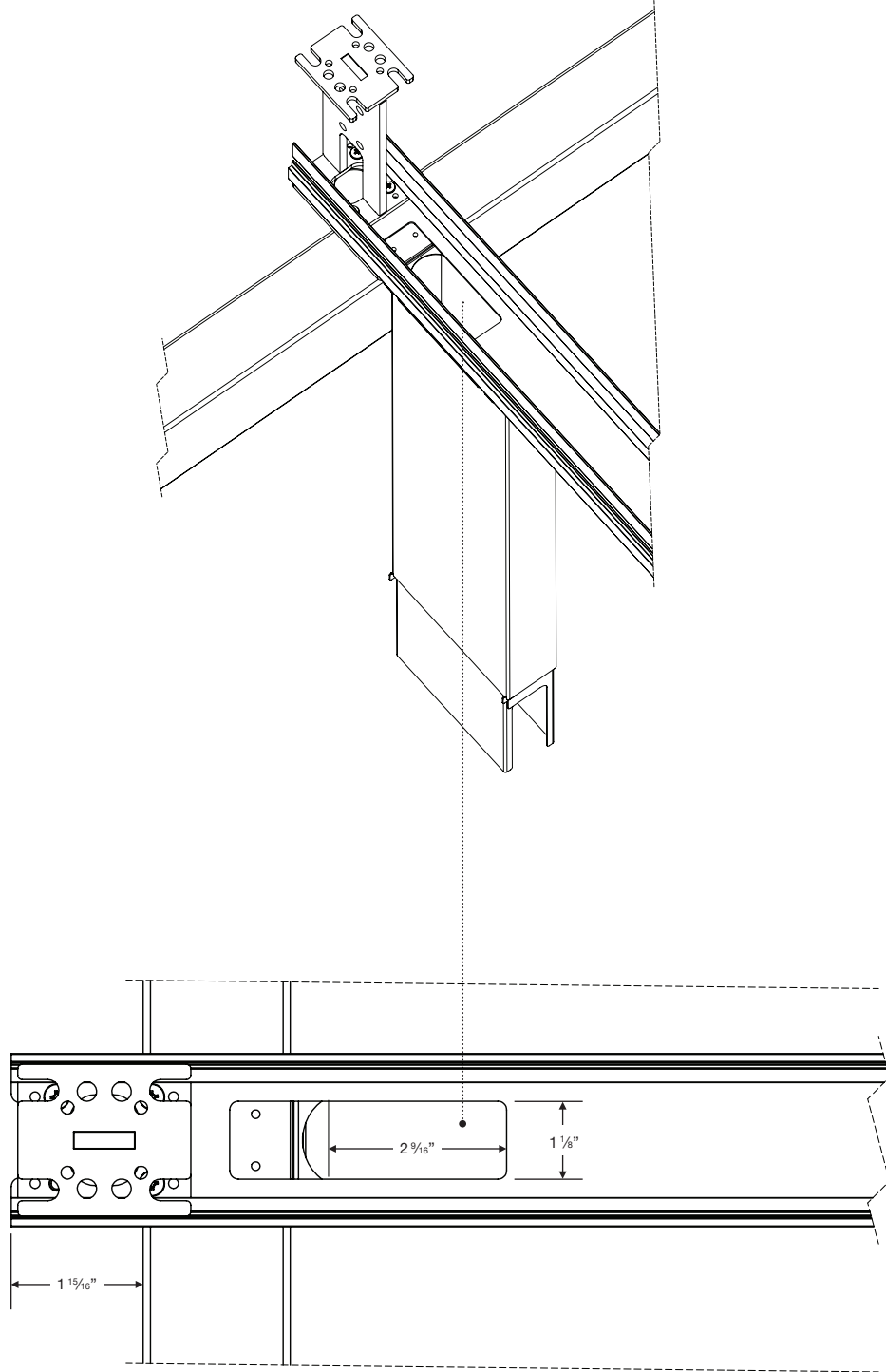
Encounter PowerBench Product Details

Encounter PowerBench Enclosed Base Power and Data Access Holes



Encounter PowerBench Product Details

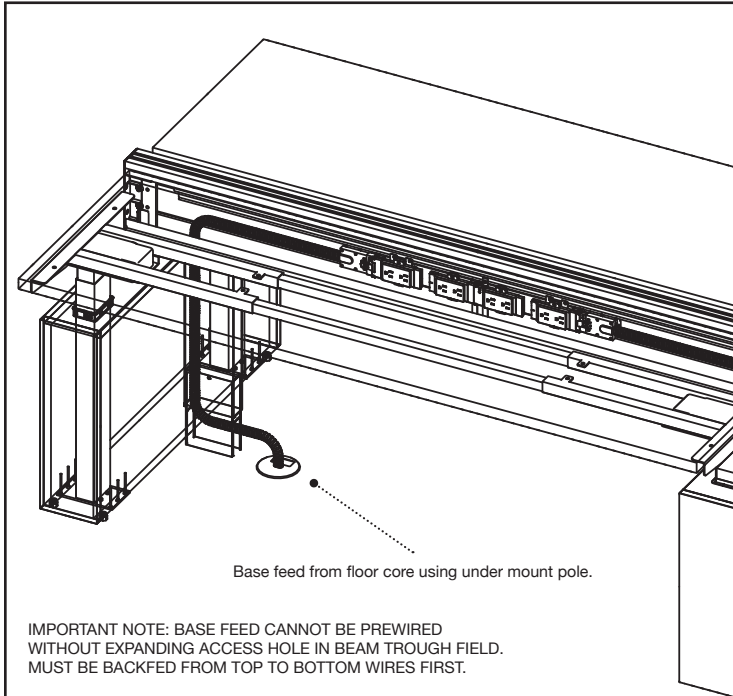
Encounter PowerBench Enclosed Base Power and Data Access Holes



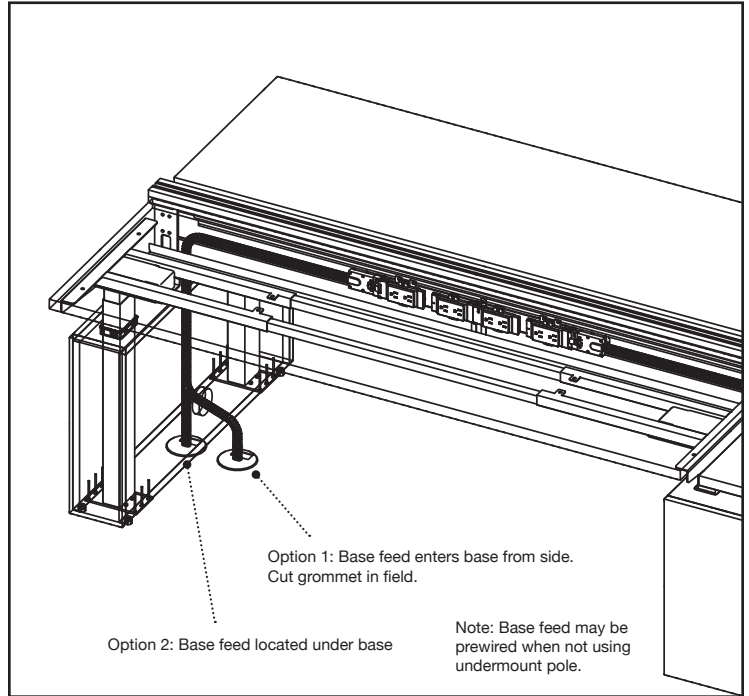
Encounter PowerBench Product Details

Encounter PowerBench Infeed Details

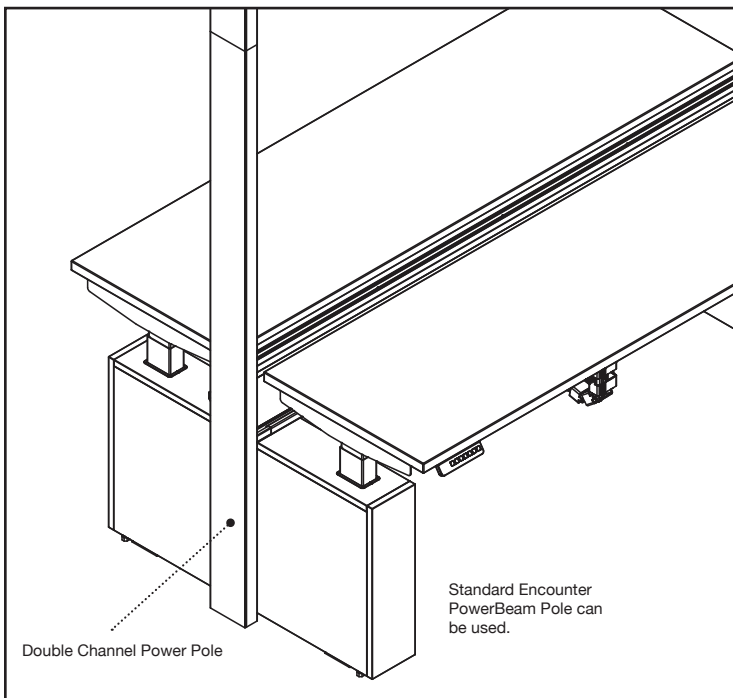
Base feed entry using Encounter PowerBeam Undermount Pole



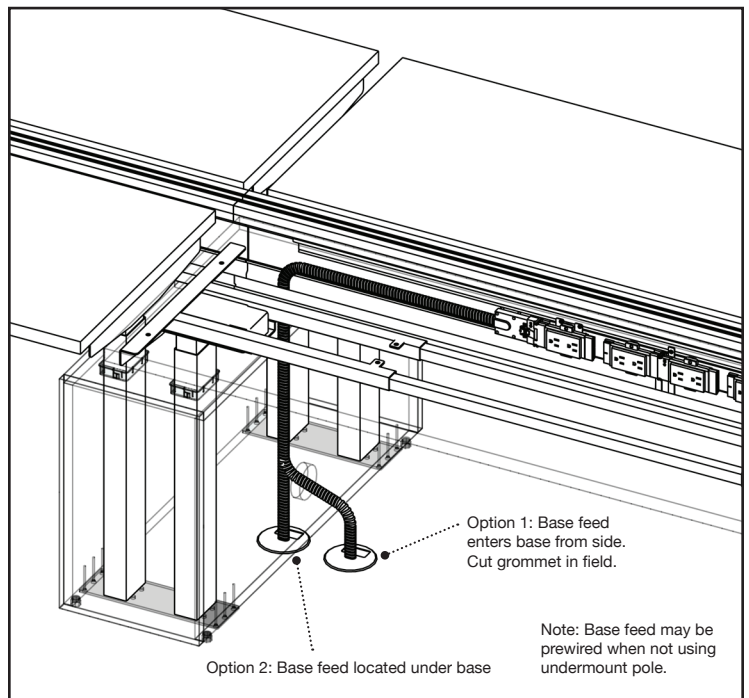
Base Infeed without using Undermount Pole



Ceiling Infeed

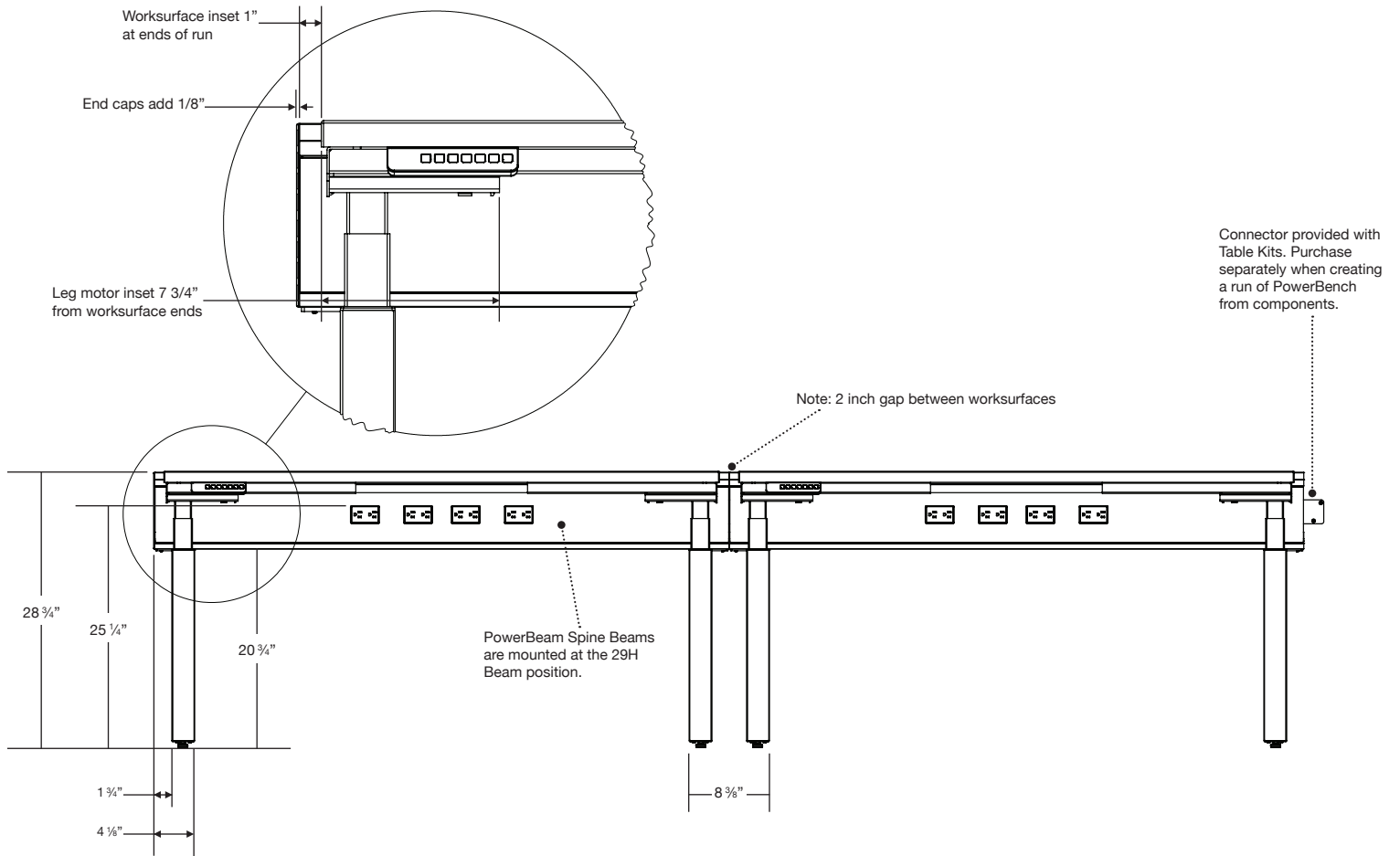
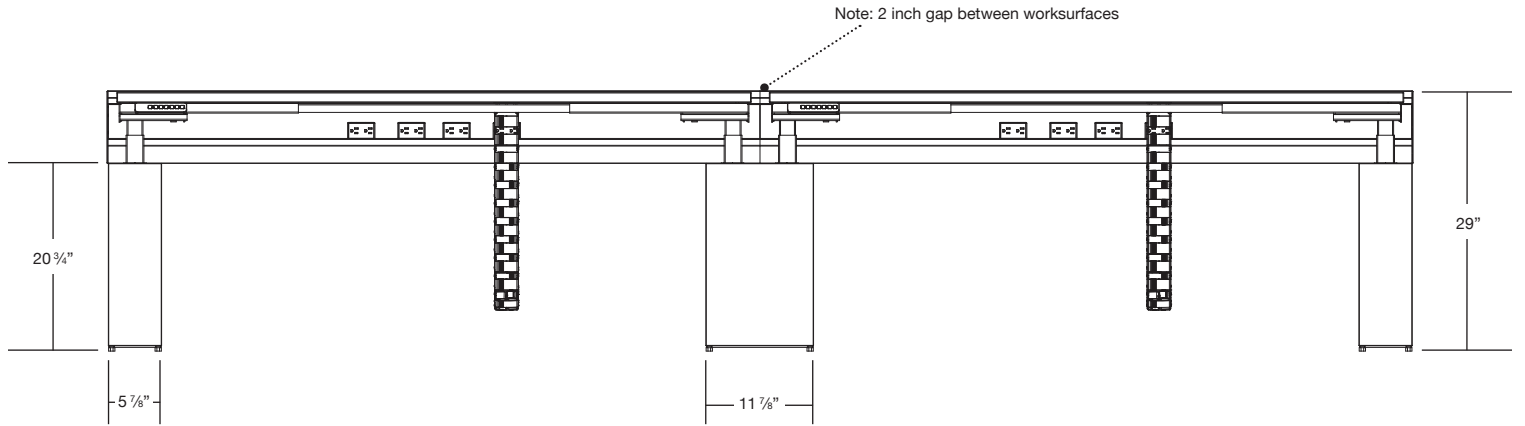


Shared Cabinet Feed Details



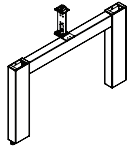
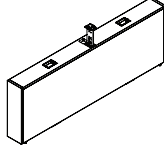
Encounter PowerBench Product Details

Encounter PowerBench Front Elevation Details



Encounter PowerBench Product Details

Height Adjustable Table Spec Comparison

	Encounter PowerBench mounted on H Legs 	Encounter PowerBench mounted on Enclosed HAT Bases 
Weight Capacity	250lbs	250lbs
Width Range (Inches)	48-84"	48-84"
Top Height¹	46.07"	45.97"
Lowest Height¹	26.39"	26.29"
Height Range¹	19.68"	19.68"
Speed	1.38" per second	1.38" per second
Noise Rating	<50db	<50db
Power Cord Length	104"	104"
Max Amp Draw	4.2	4.2
UL 962	Yes	Yes
BIFMA 5.5 Tested²	Yes	Yes
BIFMA G1 Compliant³	No	No
Anti-Collusion Sensitivity	Accelerometer	Accelerometer
Standard Colors for HA Legs	Black, Metallic Silver, White	Black, Metallic Silver, White
Programmable Control Pad	Yes	Yes
Warranty	10 Years (5 Years Mechanism)	10 Years (5 Years Mechanism)

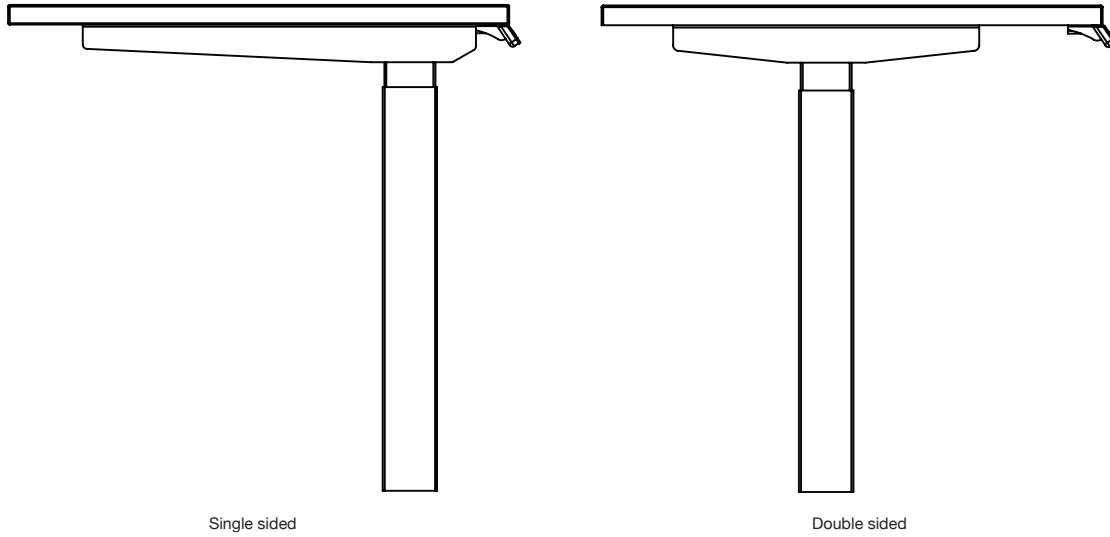
Notes:

1. Worksurface thickness of 1 1/8".
2. Based on third party testing.
3. BIFMA G1: An ergonomic guideline for accommodating the 5th to 95th percentile of the population, which would be a height adjustment range from 22.6" to 48.7".

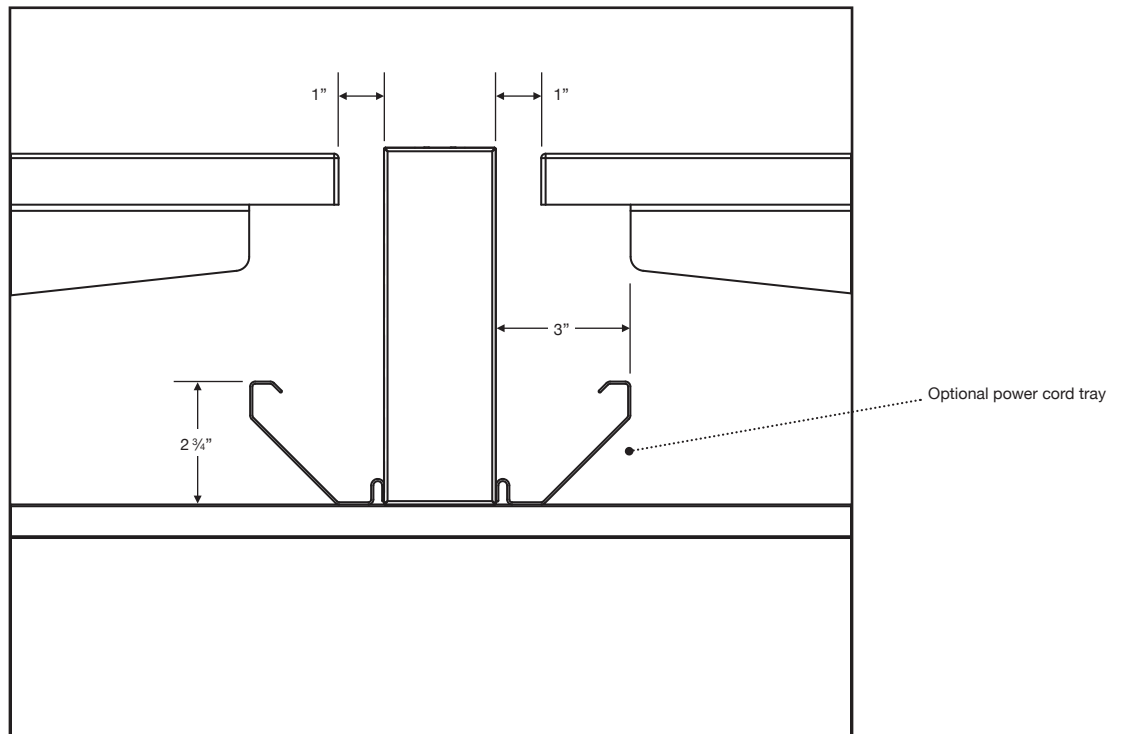
Encounter PowerBench Product Details

Encounter PowerBench Height Adjustable Tables with Different Cantilevers Details

Single and Double Encounter PowerBench Height Adjustable Tables use different cantilevers and are not interchangeable.

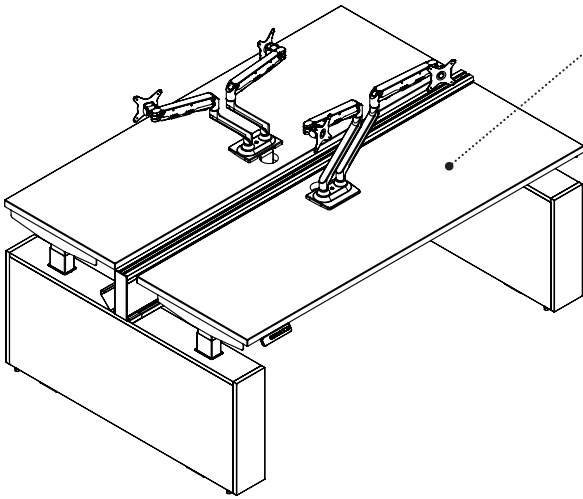


Encounter PowerBench Surface Clearance and User Power Cord Tray Details

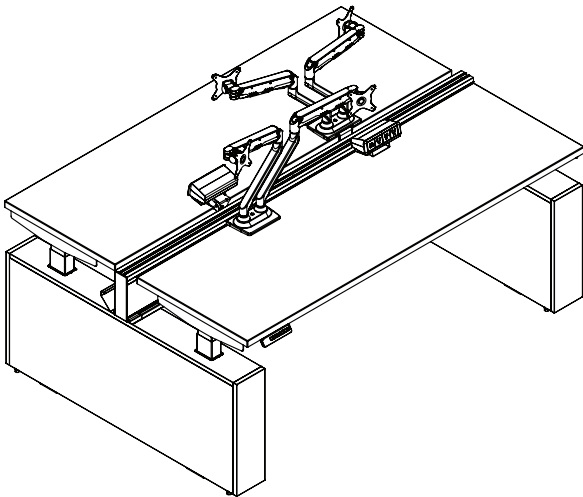


Encounter PowerBench Product Details

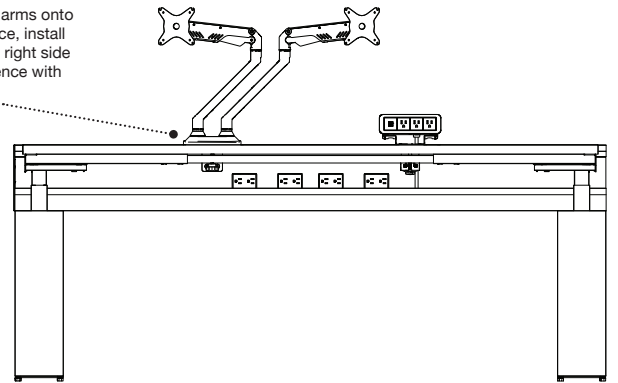
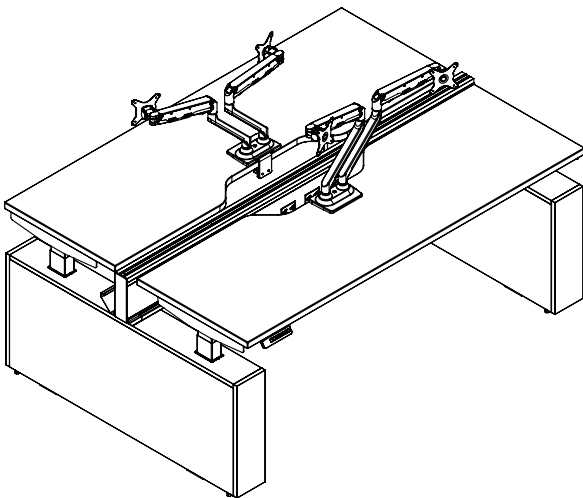
Encounter PowerBench Monitor Arm and Clamp Power Mounting Details



Note: When mounting monitor arms or clamp on power units in center of worksurface, specify grommet option B with a center rear grommet and mount in grommet hole to sit forward of electrical outlets and eliminate interference with plugs and cords.

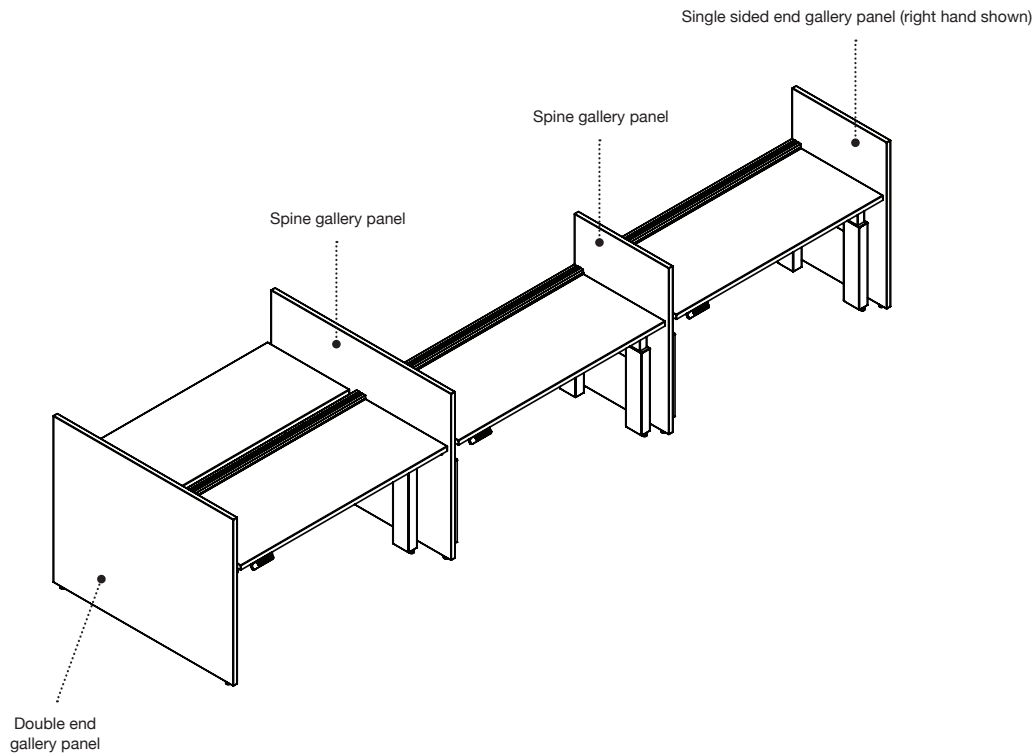
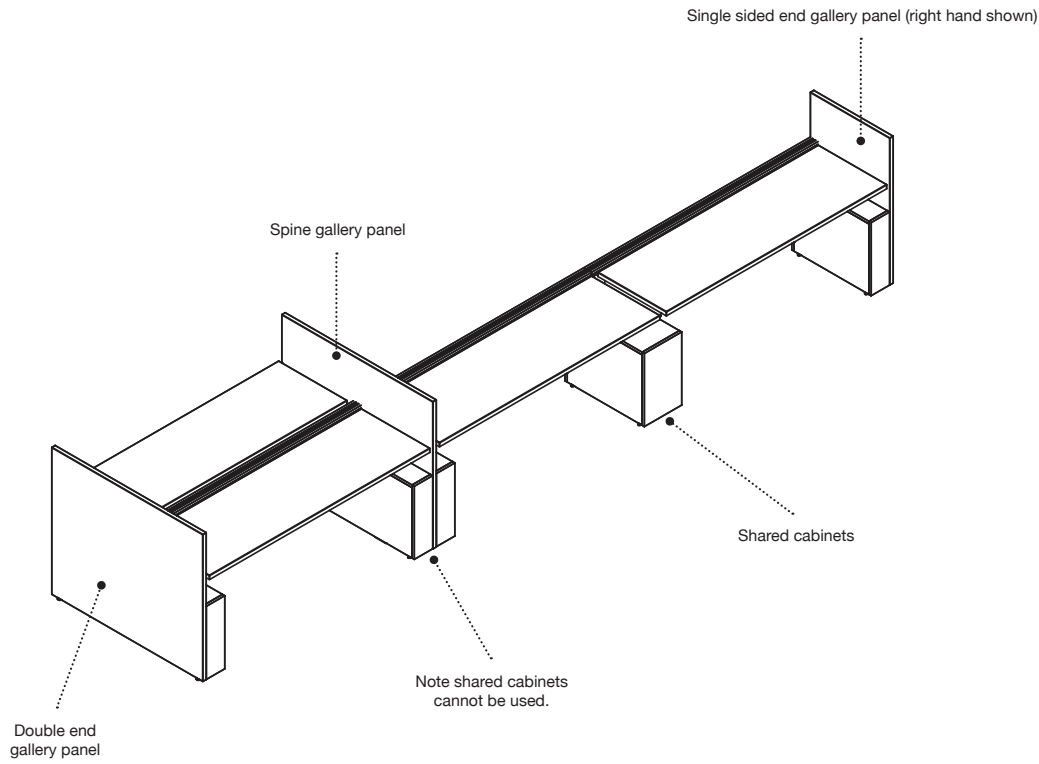


Note: When clamping monitor arms onto the rear edge of the worksurface, install the monitor arm base to left or right side of the outlets to avoid interference with plugs when lowering the unit.

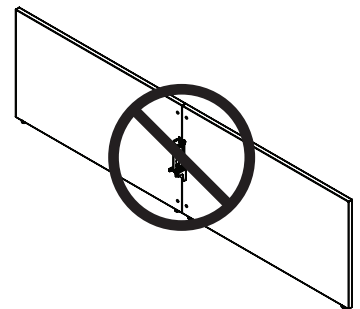


Encounter PowerBench Product Details

Encounter PowerBench Gallery Panel Details



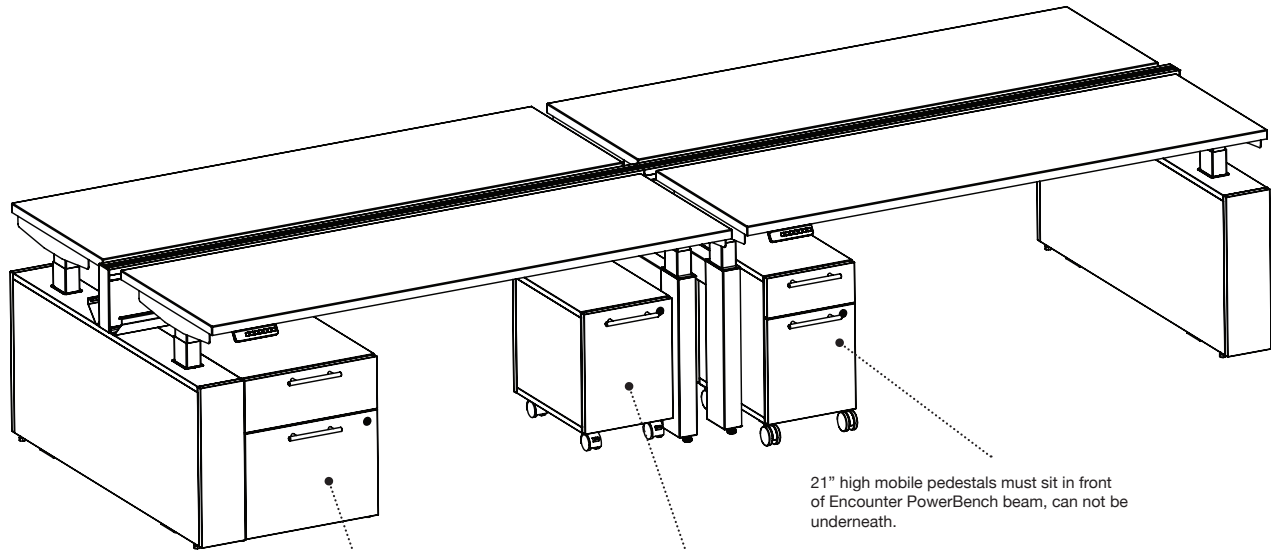
Mid mount gallery panels are not compatible with Encounter PowerBench



Encounter PowerBench Product Details

Encounter PowerBench Storage Location Details

Applicable to both H Leg and Laminate Base applications

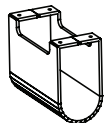
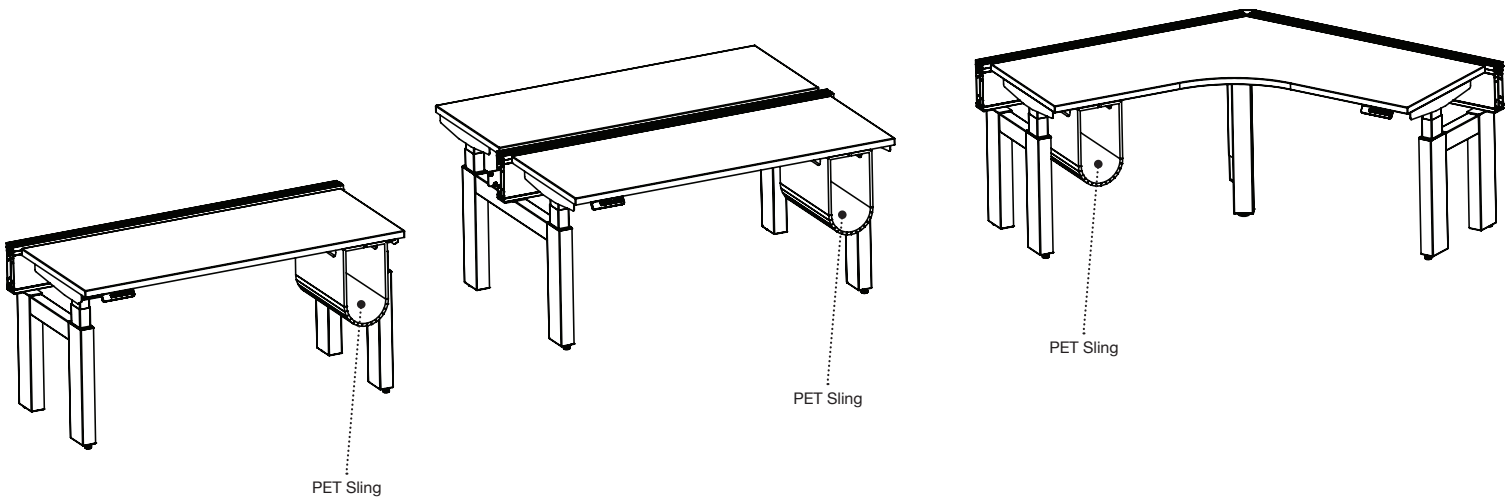


21" high pedestals will fit underneath Encounter PowerBench beam.

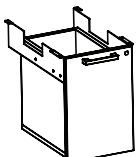
18" high mobile pedestals with or without cushions will fit underneath Encounter PowerBench beam.

21" high mobile pedestals must sit in front of Encounter PowerBench beam, can not be underneath.

Note: 28H Storage CANNOT BE USED under Encounter PowerBench HATs.



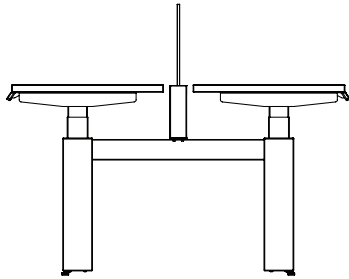
Accessorize Encounter PowerBench by pairing with PET Slings of matching depths.



Suspended Storage is not compatible with Encounter PowerBench.

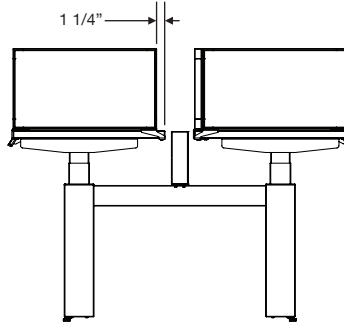
Encounter PowerBench Product Details

Encounter PowerBench Compatible Screen Combinations



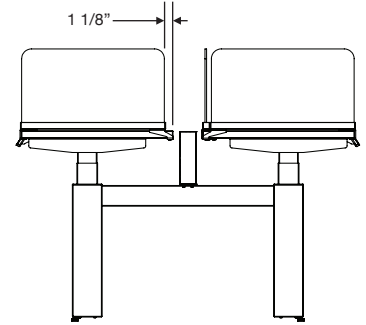
Spine screens of any material are compatible with PowerBench.

- ✓ O-1-xxxX
- O-3-xxxx
- O-5-xxxx
- O-SGHxxxx



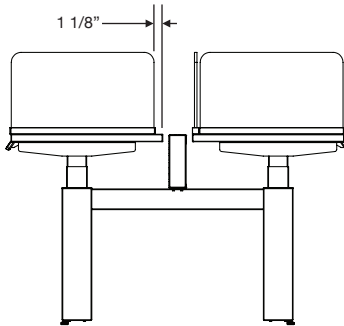
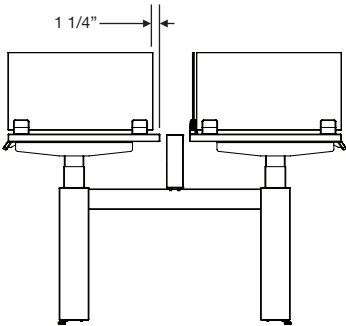
Undermounted Slimline Screens for HAT sizes are compatible with PowerBench. Note that the territory screens are designed with space for a rear screen.

- ✓ T-TSHxxxx
- T-SWMRxxxx



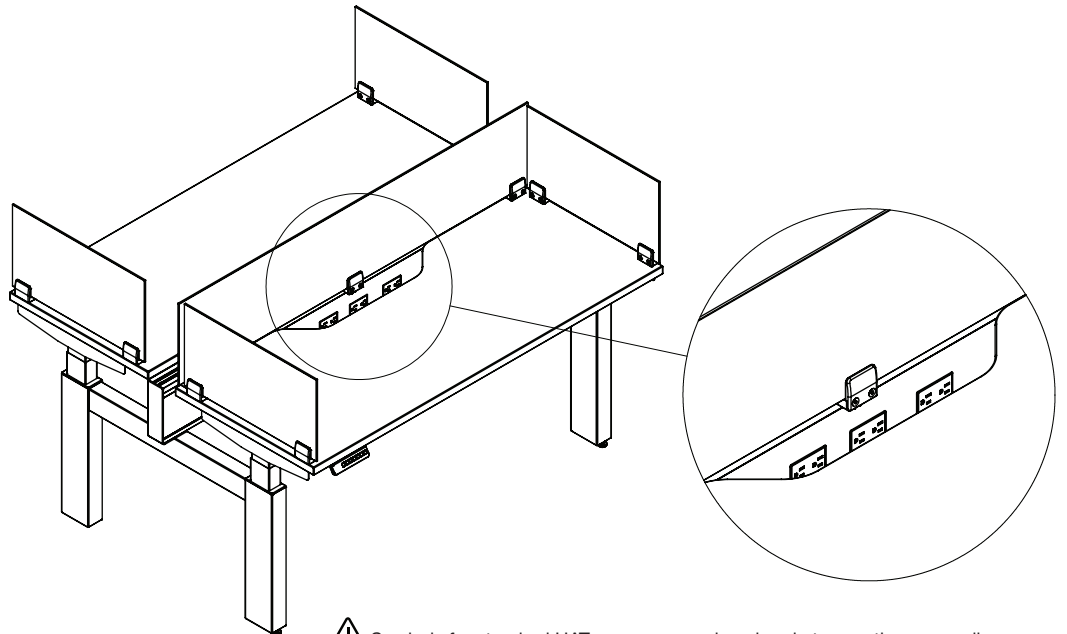
Undermounted Channel Screens for HAT sizes are compatible with PowerBench. Note that the territory screens are designed with space for a rear screen.

- ✓ Y-xT2D2LxxxxB
- Y-xT2D2RxxxxB
- Y-xR2G2UxxxxB



All Surface Mounted Screens for HAT sizes are compatible with PowerBench. Note that the territory screens are designed with space for a rear screen.

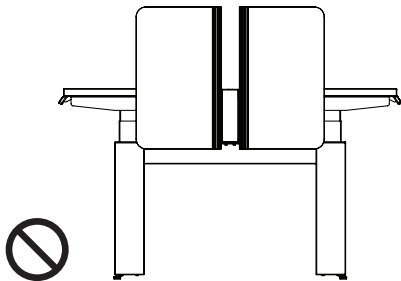
- ✓ Y-xR3G1UxxxxB
- Y-xT2D1UxxxxB
- Y-xR2G1UxxxxB



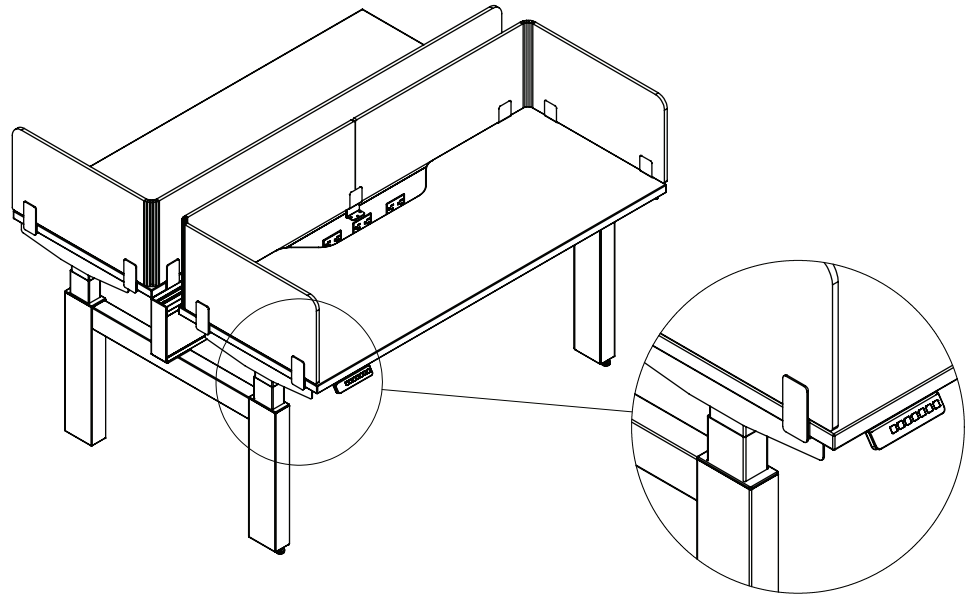
⚠ Symbols for standard HAT screens may show brackets over the rear scallop. Bracket positions may be adjusted along the rear edge to suit.

Encounter PowerBench Product Details

Encounter PowerBench Incompatible Screen Combinations

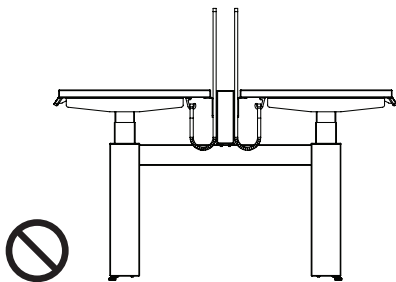


Do not use partial modesty screens with PowerBench. Collision with legs and plugs will occur.

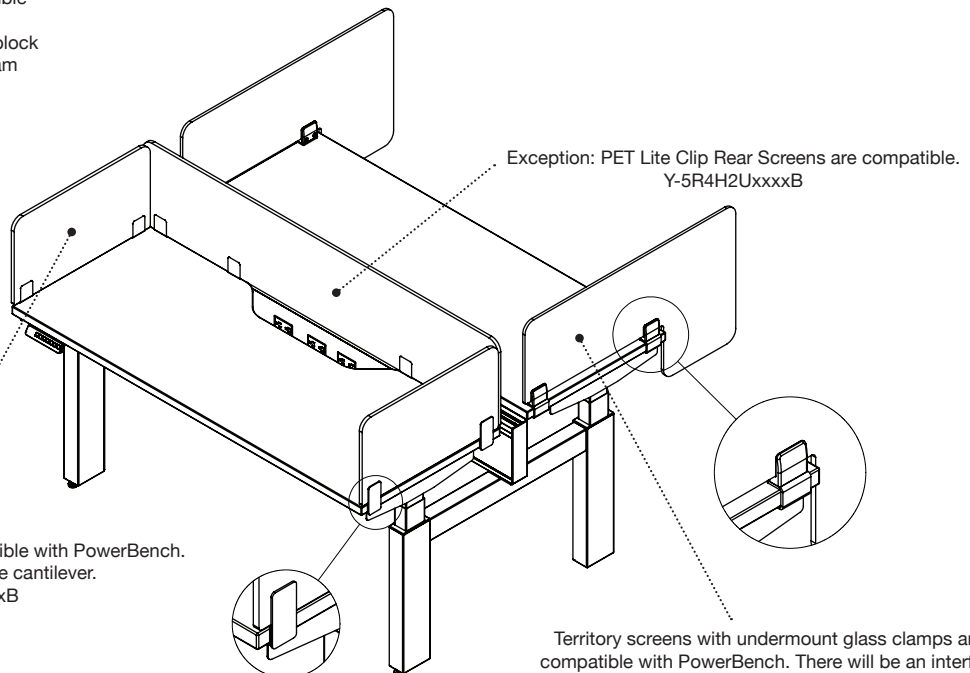


Standard PET U-Wraps and L-Wraps for height adjustable tables are not compatible with PowerBench at this time. Brackets will interfere with the cantilever.

Do not use:
Y-5C4J2RxxxxxB
Y-5N4N2UxxxxxB



PET screens with wire managers are not compatible with PowerBench or PowerBeam. Screens interfere with the PowerBench legs, and block the outlets for both PowerBench and PowerBeam



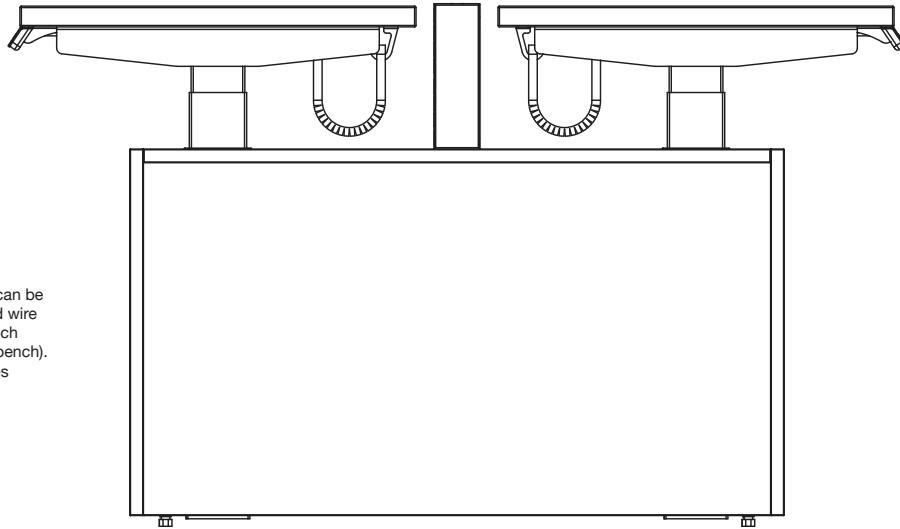
Exception: PET Lite Clip Rear Screens are compatible. Y-5R4H2UxxxxB

PET Lite Clip Territory Screens are not compatible with PowerBench. There will be an interference with the cantilever. Do not use: Y-5T4D2UxxxxB

Territory screens with undermount glass clamps are not compatible with PowerBench. There will be an interference with the cantilever. Do not use: Y-2D3D2LxxxxB Y-2D3D2RxxxxB

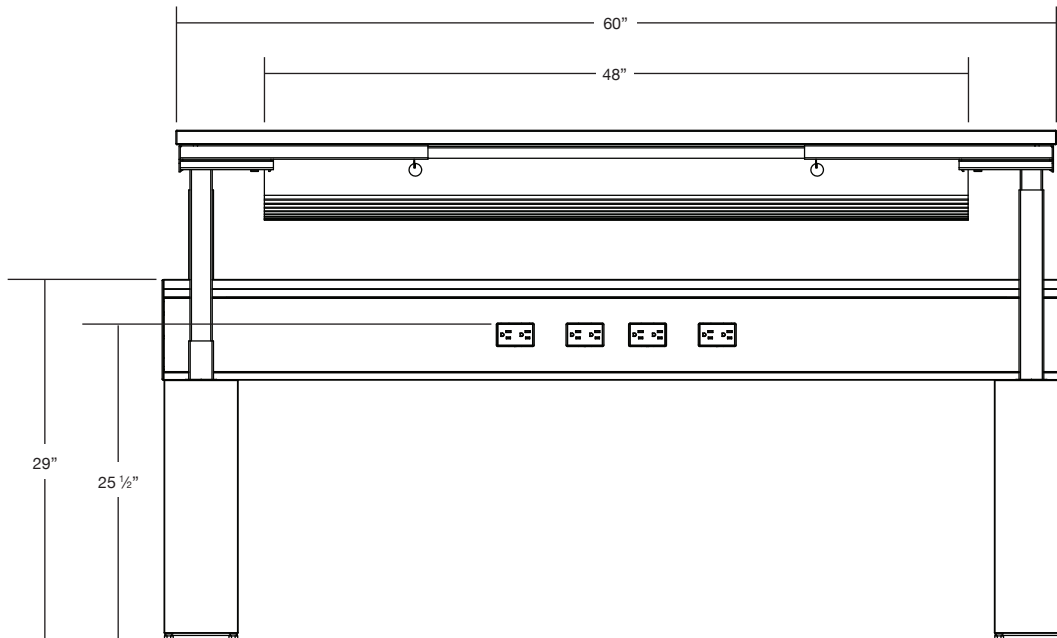
Encounter PowerBench Product Details

Encounter PowerBench with PET Wire Managers Details



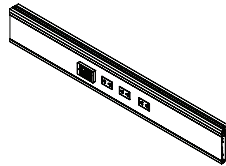
Note: PET Under Mount Wire Managers can be used on Encounter PowerBench provided wire manager width is 12 inches less than bench nominal dimension (i.e. use 48w on 60w bench). All other PET wire managers or Enclosures CANNOT be used.

Encounter PowerBench with PET Wire Managers Details



Powered Spine Beam Kits

SINGLE SIDED POWERED SPINE BEAM KITS				DOUBLE SIDED POWERED SPINE BEAM KITS			
W	Model Number	List	Grade C Paint	W	Model Number	List	Grade C Paint
36	T-BPSS36	1,223	+10	36	T-BP36	1,223	+10
42	T-BPSS42	1,279	+10	42	T-BP42	1,279	+10
48	T-BPSS48	1,331	+10	48	T-BP48	1,331	+10
54	T-BPSS54	1,476	+10	54	T-BP54	1,476	+10
60	T-BPSS60	1,512	+10	60	T-BP60	1,512	+10
66	T-BPSS66	1,608	+10	66	T-BP66	1,608	+10
72	T-BPSS72	1,688	+10	72	T-BP72	1,688	+10
78	T-BPSS78	1,806	+10	78	T-BP78	1,806	+10
84	T-BPSS84	1,908	+10	84	T-BP84	1,908	+10
90	T-BPSS90	2,012	+10	90	T-BP90	2,012	+10
96	T-BPSS96	2,101	+10	96	T-BP96	2,101	+10



Specify

- Paint Selection

Notes

- Spine beam kits are structural raceways with front removable covers and internal cable management trough, and can be supported by legs, end panels or 21h Calibrate storage elements.
- Spine beams can be ordered with or without multi-circuit powerways, or with junction box for hardwiring.
- Beams with powerways can accommodate up to 8 duplex outlets, 4 locations per each side of beam.
- Beams have electrical and data access holes in bottom at each end of beam for feeding electrical and data cables into the trough. See electrical section for wiring schematics.
- PowerBench & PowerBeam products include Single Gang Adapter Plate(s). One for Single Sided applications and two for Double Sided applications. Reference E-DJA.
- Spine beams can accommodate tackable or whiteboard screens as well as glass screens.
- Standard NEMA outlets.
- Outlets sold separately.
- Single sided Power Beams come with one outlet cover per beam.
Double Sided Power Beams come with two outlet covers per beam.

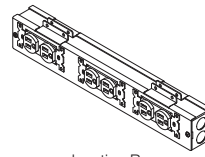
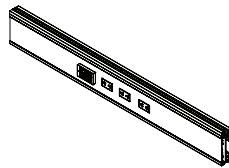
Chicago Powered Spine Beam Kits

CHICAGO SINGLE SIDED POWERED SPINE BEAM KITS

W	Model Number	List	Grade C Paint
36	T-BPCS36	1,223	+10
42	T-BPCS42	1,279	+10
48	T-BPCS48	1,331	+10
54	T-BPCS54	1,476	+10
60	T-BPCS60	1,512	+10
66	T-BPCS66	1,608	+10
72	T-BPCS72	1,688	+10
78	T-BPCS78	1,806	+10
84	T-BPCS84	1,908	+10
90	T-BPCS90	2,012	+10
96	T-BPCS96	2,101	+10

CHICAGO DOUBLE SIDED POWERED SPINE BEAM KITS

W	Model Number	List	Grade C Paint
36	T-BPC36	1,223	+10
42	T-BPC42	1,279	+10
48	T-BPC48	1,331	+10
54	T-BPC54	1,476	+10
60	T-BPC60	1,512	+10
66	T-BPC66	1,608	+10
72	T-BPC72	1,688	+10
78	T-BPC78	1,806	+10
84	T-BPC84	1,908	+10
90	T-BPC90	2,012	+10
96	T-BPC96	2,101	+10



Junction Box

Specify

- Paint Selection

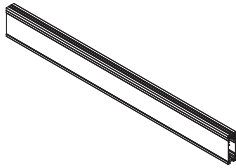
Notes

- Spine beam kits are structural raceways with front removable covers and internal cable management trough, and can be supported by legs, end panels or 21h Calibrate storage elements.
- Spine beams can be ordered with or without multi-circuit powerways, or with junction box for hardwiring.
- Beams with powerways can accommodate up to 8 duplex outlets, 4 locations per each side of beam.
- Beams have electrical and data access holes in bottom at each end of beam for feeding electrical and data cables into the trough. See electrical section for wiring schematics.
- PowerBench & PowerBeam products include Single Gang Adapter Plate(s). One for Single Sided applications and two for Double Sided applications. Reference E-DJA.
- Spine beams can accommodate tackable or whiteboard screens as well as glass screens.
- Junction box allows for two single gang outlets per side.
- Junction boxes do not include electrical connectors.
- Boxes are UL listed.
- Boxes have standard 0.875" knockouts for electrical connectors.
- Junction boxes can be used with either 15 amp or 20 amp single gang outlets.
- For use with NEMA outlets only.
- Decorative (DECORA) outlets cannot be used.
- Outlets not included.
- Single sided Power Beams come with one outlet cover per beam.
Double Sided Power Beams come with two outlet covers per beam.

Non-Powered Spine Beam Kits

NON-POWERED SPINE BEAM KITS

W	Model Number	List	Grade C Paint
36	T-BNP36	707	+10
42	T-BNP42	763	+10
48	T-BNP48	817	+10
54	T-BNP54	959	+10
60	T-BNP60	996	+10
66	T-BNP66	1,093	+10
72	T-BNP72	1,173	+10
78	T-BNP78	1,292	+10
84	T-BNP84	1,395	+10
90	T-BNP90	1,471	+10
96	T-BNP96	1,586	+10



Specify

- Paint Selection

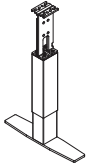
Notes

- Spine beam kits are structural raceways with front removable covers and internal cable management trough, and can be supported by legs, end panels or 21h Calibrate storage elements.
- Beams have electrical and data access holes in bottom at each end of beam for feeding electrical and data cables into the trough. See electrical section for wiring schematics.
- Spine beams can accommodate tackable or whiteboard screens as well as glass screens.

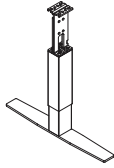
Legs for 21" High Spine Beams

T-LEGS FOR 21 HIGH SPINE BEAMS

D	Model Number	List	Grade C Paint
12	T-BTLEG2112	333	+25
18	T-BTLEG2118	345	+25



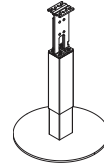
12" Deep



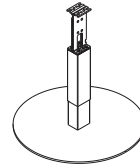
18" Deep

DISC LEGS FOR 21 HIGH SPINE BEAMS

Diameter	Model Number	List	Grade C Paint
12	T-BDLEG2112	431	+25
18	T-BDLEG2118	527	+25



12" Diameter



18" Diameter

POST LEGS FOR 21 HIGH SPINE BEAMS

Model Number	List	Grade C Paint
T-BPLEG21	308	+25



Specify

- Paint Selection

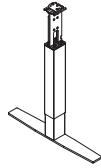
Notes

- Legs are used to support Spine Beam at end of beam length or shared at seam between two beam sections.
- Legs cannot be placed in "middle" of beam.
- Legs "telescope" 2-inches for leveling spine beam from end to end, and can be adjusted for front to back leveling as well.
- Heights indicate nominal height to top of beam.
- Base of leg is 1/4 high and can sit under table feet or any storage elements.

Legs for 25" High Spine Beams

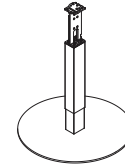
T-LEGS FOR 25 HIGH SPINE BEAMS

D	Model Number	List	Grade C Paint
18	T-BTLEG2518	385	+25



DISC LEGS FOR 25 HIGH SPINE BEAMS

Diameter	Model Number	List	Grade C Paint
18	T-BDLEG2518	567	+25



POST LEGS FOR 25 HIGH SPINE BEAMS

Model Number	List	Grade C Paint
T-BPLEG25	347	+25



Specify

- Paint Selection

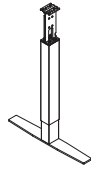
Notes

- Legs are used to support Spine Beam at end of beam length or shared at seam between two beam sections.
- Legs cannot be placed in "middle" of beam.
- Legs "telescope" 2-inches for leveling spine beam from end to end, and can be adjusted for front to back leveling as well.
- Heights indicate nominal height to top of beam.
- Base of leg is 1/4 high and can sit under table feet or any storage elements.

Legs for 29" High Spine Beams

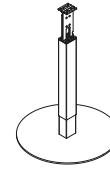
T-LEGS FOR 29 HIGH SPINE BEAMS

H	Model Number	List	Grade C Paint
18	T-BTLEG2918	385	+25



DISC LEGS FOR 29 HIGH SPINE BEAMS

H	Model Number	List	Grade C Paint
18	T-BDLEG2918	567	+25



POST LEGS FOR 29 HIGH SPINE BEAMS

Model Number	List	Grade C Paint
T-BPLEG29	347	+25



Specify

- Paint Selection

Notes

- Legs are used to support Spine Beam at end of beam length or shared at seam between two beam sections.
- Legs cannot be placed in "middle" of beam.
- Legs "telescope" 2-inches for leveling spine beam from end to end, and can be adjusted for front to back leveling as well.
- Heights indicate nominal height to top of beam.
- Base of leg is 1/4 high and can sit under table feet or any storage elements.

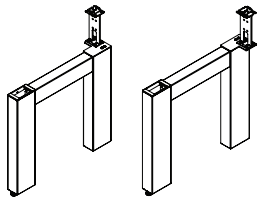
Encounter PowerBench H Leg

POWERBENCH H LEGS

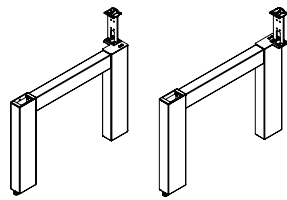
D	Application	Handedness	Model Number	List
24	Single	Left	T-MBHSS24L	1,062
24	Single	Right	T-MBHSS24R	1,062
30	Single	Left	T-MBHSS30L	1,106
30	Single	Right	T-MBHSS30R	1,106
48/60	Double	—	T-MBHUNDBL	1,106

SINGLE SIDED 120 POWERBENCH H LEGS

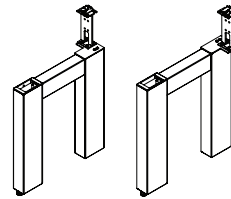
D	Application	Handedness	Model Number	List
24/30	120	Left	T-MBHS120L	1,062
24/30	120	Right	T-MBHS120R	1,062



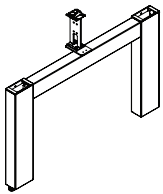
24"D Single Leg (Left shown) 24"D Single Leg (Right shown)



30"D Single Leg (Left shown) 30"D Single Leg (Right shown)



120 Leg (Left shown) 120 Leg (Right shown)



Double Leg

Specify

Notes

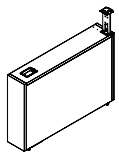
- Paint Selection

- Base only. PowerBeam Spine Beam Kits and PowerBench Tables must be specified separately.
- To design a double-sided 120 Encounter PowerBench assembly, use the Double Leg T-MBHUNDBL.
- For use with 29"H mounting heights only.
- Metal H Legs include 1-1/4" leveling glides.
- Grade C Paint +25

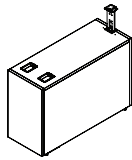
Encounter PowerBench HAT Enclosed Bases

POWERBENCH HAT ENCLOSED BASES

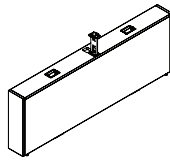
D	W	H	Type	Model Number	List
24	6	21	Single End	T-PBHB24SE	1,510
30	6	21	Single End	T-PBHB30SE	1,655
24	12	21	Single Shared	T-PBHB24SS	1,661
30	12	21	Single Shared	T-PBHB30SS	1,821
42	6	21	Double End	T-PBHB42DE	1,952
48	6	21	Double End	T-PBHB48DE	2,159
60	6	21	Double End	T-PBHB60DE	2,366
42	12	21	Double Shared	T-PBHB42DS	2,148
48	12	21	Double Shared	T-PBHB48DS	2,376
60	12	21	Double Shared	T-PBHB60DS	2,603
26	12	21	120 Single End	T-PBHB12024E	1,510
33	12	21	120 Single End	T-PBHB12030E	1,655
26	12	21	120 Single Shared	T-PBHB12024S	1,661
33	12	21	120 Single Shared	T-PBHB12030S	1,821



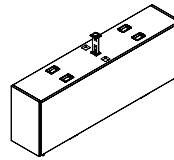
Single End



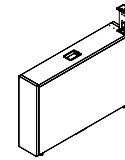
Single Shared



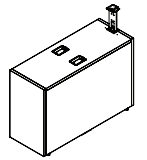
Double End



Double Shared



120 Single End



120 Single Shared

Specify

Notes

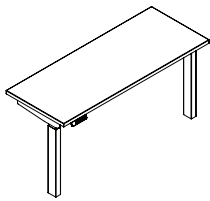
• Laminate Selection for Base

- Base only, PowerBench HAT worksurface/legs must be ordered separately.
- For use with PowerBench HAT's only.
- For use with 29" high mounting heights only.
- Enclosed bases are laminate.
- Trim rings are silver.
- HAT legs include matching trim rings.

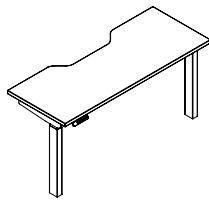
Encounter PowerBench HAT 2 Leg, Single Sided

POWERBENCH 2 LEG, SINGLE SIDED

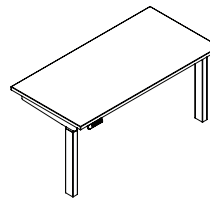
Nominal Depth	Nominal Width	POWERBENCH 2 LEG, SINGLE SIDED		List	Grade C Laminate
		with Grommet Options	with Scallop		
		Model Number	Model Number		
24	48	PB-2HSS2448	PB-2HSS2448S	3,067	+33
24	54	PB-2HSS2454	PB-2HSS2454S	3,125	+41
24	60	PB-2HSS2460	PB-2HSS2460S	3,145	+41
24	66	PB-2HSS2466	PB-2HSS2466S	3,167	+46
24	72	PB-2HSS2472	PB-2HSS2472S	3,188	+51
24	78	PB-2HSS2478	PB-2HSS2478S	3,210	+54
24	84	PB-2HSS2484	PB-2HSS2484S	3,232	+63
30	48	PB-2HSS3048	PB-2HSS3048S	3,145	+42
30	54	PB-2HSS3054	PB-2HSS3054S	3,172	+50
30	60	PB-2HSS3060	PB-2HSS3060S	3,198	+50
30	66	PB-2HSS3066	PB-2HSS3066S	3,226	+56
30	72	PB-2HSS3072	PB-2HSS3072S	3,251	+61
30	78	PB-2HSS3078	PB-2HSS3078S	3,273	+69
30	84	PB-2HSS3084	PB-2HSS3084S	3,296	+87



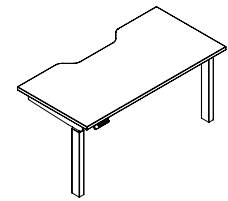
24" Deep (Grommet option)



24" Deep (Scallop)



30" Deep (Grommet option)



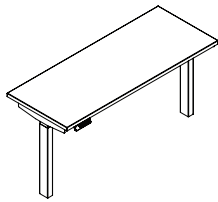
30" Deep (Scallop)

Specify	Notes
<ul style="list-style-type: none"> Laminate Selection for Worksurface Color Selection for Edge Paint Selection for Leg (Black, Metallic Silver or White) Grommet Locations (+38) Grommet Cover Color (if applicable) 	<ul style="list-style-type: none"> Worksurface and legs only, PowerBench base must be ordered separately. PowerBench HATs are designed to have 1 inch gap behind and 2 inch gap between HATs in a PowerBench run. Grommet holes with covers are specified as options. Height adjustment range of 26.26" - 45.94". Only for use with Single-Sided H-Leg and Enclosed HAT Base configurations. Single and double side tables are not interchangeable due to leg placement and cantilevers.

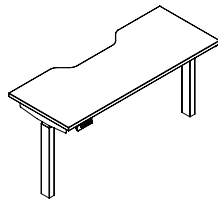
Encounter PowerBench HAT Worksurfaces for Double H Leg

POWERBENCH HAT FOR DOUBLE H LEG

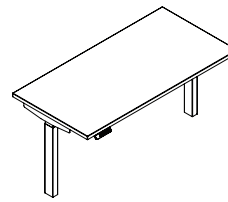
Nominal Depth	Nominal Width	Worksurface	with Grommet Options	with Scallop	List	Grade C Laminate
			Model Number	Model Number		
24	48	23 x 46	PB-2HS2448	PB-2HS2448S	3,068	+33
24	54	23 x 52	PB-2HS2454	PB-2HS2454S	3,125	+41
24	60	23 x 58	PB-2HS2460	PB-2HS2460S	3,145	+41
24	66	23 x 64	PB-2HS2466	PB-2HS2466S	3,167	+46
24	72	23 x 70	PB-2HS2472	PB-2HS2472S	3,189	+51
24	78	23 x 76	PB-2HS2478	PB-2HS2478S	3,210	+54
24	84	23 x 82	PB-2HS2484	PB-2HS2484S	3,233	+63
30	48	29 x 46	PB-2HS3048	PB-2HS3048S	3,145	+42
30	54	29 x 52	PB-2HS3054	PB-2HS3054S	3,172	+50
30	60	29 x 58	PB-2HS3060	PB-2HS3060S	3,198	+50
30	66	29 x 64	PB-2HS3066	PB-2HS3066S	3,226	+56
30	72	29 x 70	PB-2HS3072	PB-2HS3072S	3,251	+61
30	78	29 x 76	PB-2HS3078	PB-2HS3078S	3,274	+69
30	84	29 x 84	PB-2HS3084	PB-2HS3084S	3,296	+87



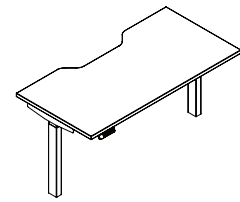
24" Deep (Grommet option)



24" Deep (Scallop)



30" Deep (Grommet option)



30" Deep (Scallop)

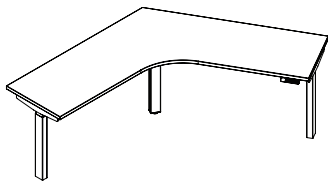
Specify

Notes

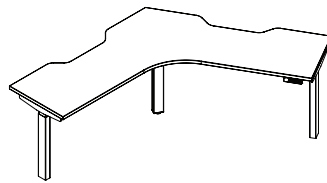
- Laminate Selection for Worksurface
- Color Selection for Edge
- Paint Selection for Leg (Black, Metallic Silver or White)
- Grommet Locations (+38)
- Grommet Cover Color (if applicable)
- Worksurface and legs only, PowerBench base must be ordered separately.
- PowerBench HATs are designed to have 1 inch gap behind and 2 inch gap between HATs in a PowerBench run.
- Grommet holes with covers are specified as options.
- Height adjustment range of 26.26" - 45.94".
- Only for use with Double-Sided H-Leg and Enclosed HAT Base configurations.
- Single and double side tables are not interchangeable due to leg placement and cantilevers.

Encounter PowerBench HAT 120, 3 Leg

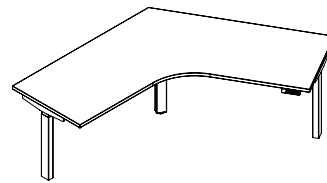
POWERBENCH 120, 3 LEG					
Nominal Depth	Nominal Width	with Grommet Options	with Scallop	List	Grade C Laminate
		Model Number	Model Number		
24	48x48	PB-YB120H2448	PB-YB120H2448S	4,412	+64
24	54x54	PB-YB120H2454	PB-YB120H2454S	4,532	+70
24	60x60	PB-YB120H2460	PB-YB120H2460S	4,669	+76
30	48x48	PB-YB120H3048	PB-YB120H3048S	4,555	+72
30	54x54	PB-YB120H3054	PB-YB120H3054S	4,691	+81
30	60x60	PB-YB120H3060	PB-YB120H3060S	4,832	+90



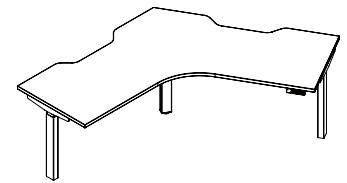
24" Deep (Grommet option)



24" Deep (Scallop)



30" Deep (Grommet option)



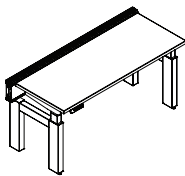
30" Deep (Scallop)

Specify	Notes
<ul style="list-style-type: none"> Laminate Selection for Worksurface Color Selection for Edge Paint Selection for Leg (Black, Metallic Silver or White) Grommet Locations (+38) Grommet Cover Color (if applicable) 	<ul style="list-style-type: none"> Worksurface and legs only, PowerBench base must be ordered separately. PowerBench HATs are designed to have 1 inch gap behind and 2 inch gap between HATs in a PowerBench run. Grommet holes with covers are specified as options. Only for use with 120 H-Leg and Enclosed HAT Base configurations.

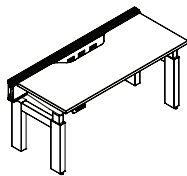
Encounter PowerBench H Leg Single-Sided Kit

POWERBENCH H LEG SINGLE-SIDED KIT

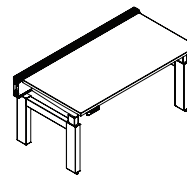
Actual Full Depth	Nominal Worksurface Depth	Nominal Width	with Grommet Options	with Scallop	List	Grade C Laminate
			Model Number	Model Number		
26.5	24	48	PB-HSSPS2448	PB-HSSPS2448S	6,559	+33
26.5	24	54	PB-HSSPS2454	PB-HSSPS2454S	6,762	+41
26.5	24	60	PB-HSSPS2460	PB-HSSPS2460S	6,817	+41
26.5	24	66	PB-HSSPS2466	PB-HSSPS2466S	6,936	+46
26.5	24	72	PB-HSSPS2472	PB-HSSPS2472S	7,037	+51
26.5	24	78	PB-HSSPS2478	PB-HSSPS2478S	7,178	+54
26.5	24	84	PB-HSSPS2484	PB-HSSPS2484S	7,302	+63
32.5	30	48	PB-HSSPS3048	PB-HSSPS3048S	6,725	+42
32.5	30	54	PB-HSSPS3054	PB-HSSPS3054S	6,896	+50
32.5	30	60	PB-HSSPS3060	PB-HSSPS3060S	6,958	+50
32.5	30	66	PB-HSSPS3066	PB-HSSPS3066S	7,082	+56
32.5	30	72	PB-HSSPS3072	PB-HSSPS3072S	7,187	+61
32.5	30	78	PB-HSSPS3078	PB-HSSPS3078S	7,328	+69
32.5	30	84	PB-HSSPS3084	PB-HSSPS3084S	7,453	+87



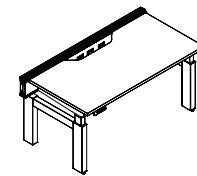
24" Deep (Grommet option)



24" Deep (Scallop)



30" Deep (Grommet option)



30" Deep (Scallop)

Specify

Notes

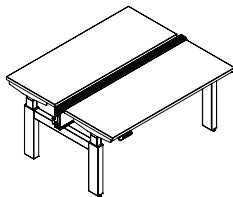
- Laminate Selection for Worksurface
- Color Selection for Edge
- Paint Selection for Leg (Black, Metallic Silver or White)
- Paint Selection for H-Leg (+25)
- Paint Selection for Beam Spine (+10)
- Grommet Locations (+38)
- Grommet Cover Color (if applicable)

- Kit includes PowerBeam spine with single-sided power. Includes Connection Kit.
- Height adjustment range of 26.26" - 45.94".
- PowerBench HATs are designed to have 1 inch gap behind and 2 inch gap between HATs in a PowerBench run.
- Compatible with 29H Beam Components.
- Grommet holes with covers are specified as options.
- PowerBench & PowerBeam products include Single Gang Adapter Plate(s). One for Single Sided applications and two for Double Sided applications. Reference E-DJA.
- Single sided Power Beams come with one outlet cover per beam. Double Sided Power Beams come with two outlet covers per beam.

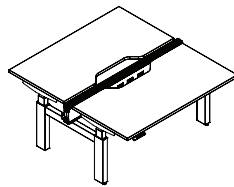
Encounter PowerBench H Leg Double-Sided Kit

POWERBENCH H LEG DOUBLE-SIDED KIT

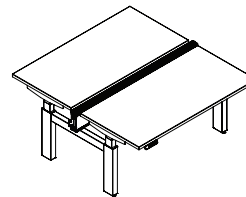
Actual Full Depth	Nominal Worksurface Depth	Nominal Width	with Grommet Options	with Scallop	List	Grade C Laminate
			Model Number	Model Number		
50.5	24	48	PB-HDSPS4848	PB-HDSPS4848S	9,716	+33
50.5	24	54	PB-HDSPS4854	PB-HDSPS4854S	9,975	+41
50.5	24	60	PB-HDSPS4860	PB-HDSPS4860S	10,050	+41
50.5	24	66	PB-HDSPS4866	PB-HDSPS4866S	10,190	+46
50.5	24	72	PB-HDSPS4872	PB-HDSPS4872S	10,314	+51
50.5	24	78	PB-HDSPS4878	PB-HDSPS4878S	10,476	+54
50.5	24	84	PB-HDSPS4884	PB-HDSPS4884S	10,624	+63
62.5	30	48	PB-HDSPS6048	PB-HDSPS6048S	9,870	+42
62.5	30	54	PB-HDSPS6054	PB-HDSPS6054S	10,068	+50
62.5	30	60	PB-HDSPS6060	PB-HDSPS6060S	10,156	+50
62.5	30	66	PB-HDSPS6066	PB-HDSPS6066S	10,308	+56
62.5	30	72	PB-HDSPS6072	PB-HDSPS6072S	10,438	+61
62.5	30	78	PB-HDSPS6078	PB-HDSPS6078S	10,603	+69
62.5	30	84	PB-HDSPS6084	PB-HDSPS6084S	10,748	+87



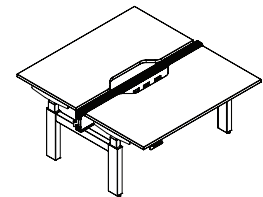
24" Deep (Grommet option)



24" Deep (Scallop)



30" Deep (Grommet option)



30" Deep (Scallop)

Specify **Notes**

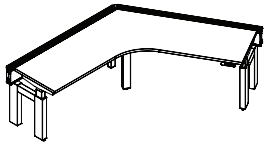
- Laminate Selection for Worksurface
- Color Selection for Edge
- Paint Selection for Leg (Black, Metallic Silver or White)
- Paint Selection for H-Leg (+25)
- Paint Selection for Beam Spine (+10)
- Grommet Locations (+38)
- Grommet Cover Color (if applicable)

- Kit includes PowerBeam spine with double-sided power. Includes Connection Kit.
- Height adjustment range of 26.26" - 45.94".
- PowerBench HATs are designed to have 1 inch gap behind and 2 inch gap between HATs in a PowerBench run.
- Compatible with 29H Beam Components.
- Grommet holes with covers are specified as options.
- PowerBench & PowerBeam products include Single Gang Adapter Plate(s). One for Single Sided applications and two for Double Sided applications. Reference E-DJA.
- Single sided Power Beams come with one outlet cover per beam. Double Sided Power Beams come with two outlet covers per beam.

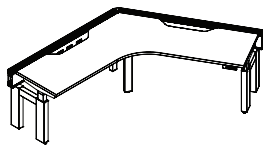
Encounter PowerBench H Leg 120 Single-Sided Kit

ENCOUNTER POWERBENCH H LEG 120 SINGLE-SIDED KIT

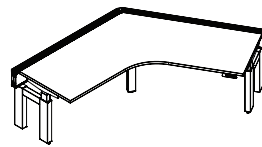
Actual Full Depth	Nominal Worksurface Depth	Nominal Width	with Grommet Options	with Scallop	List	Grade C Laminate
			Model Number	Model Number		
26.5	24	48	PB-H120SPS2448	PB-H120SPS2448S	9,793	+64
26.5	24	54	PB-H120SPS2454	PB-H120SPS2454S	10,202	+70
26.5	24	60	PB-H120SPS2460	PB-H120SPS2460S	10,409	+70
32.5	30	48	PB-H120SPS3048	PB-H120SPS3048S	9,936	+72
32.5	30	54	PB-H120SPS3054	PB-H120SPS3054S	10,362	+80
32.5	30	60	PB-H120SPS3060	PB-H120SPS3060S	10,573	+90



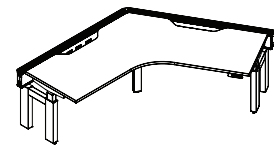
24" Deep (Grommet option)



24" Deep (Scallop)



30" Deep (Grommet option)



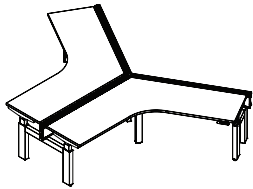
30" Deep (Scallop)

Specify	Notes
<ul style="list-style-type: none"> Laminate Selection for Worksurface Color Selection for Edge Paint Selection for Leg (Black, Metallic Silver or White) Paint Selection for H-Leg (+25) Paint Selection for Beam Spine (+10) Grommet Locations (+38) Grommet Cover Color (if applicable) 	<ul style="list-style-type: none"> Kit includes PowerBeam spine with double-sided power. Includes Connection Kit. Height adjustment range of 26.26" - 45.94". PowerBench HATs are designed to have 1 inch gap behind and 2 inch gap between HATs in a PowerBench run. Compatible with 29H Beam Components. Grommet holes with covers are specified as options. PowerBench & PowerBeam products include Single Gang Adapter Plate(s). One for Single Sided applications and two for Double Sided applications. Reference E-DJA. Single sided Power Beams come with one outlet cover per beam. Double Sided Power Beams come with two outlet covers per beam.

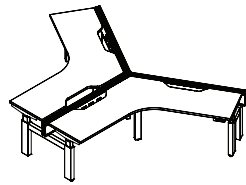
Encounter PowerBench H Leg 120 Double-Sided Kit

ENCOUNTER POWERBENCH H LEG 120 DOUBLE-SIDED KIT

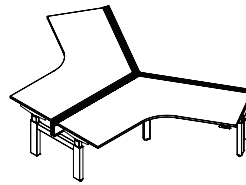
Actual Full Depth	Nominal Worksurface Depth	Nominal Width	with Grommet Options	with Scallop	List	Grade C Laminate
			Model Number	Model Number		
50.5	24	48	PB-H120DPS2448	PB-H120DPS2448S	16,597	+64
50.5	24	54	PB-H120DPS2454	PB-H120DPS2454S	17,272	+70
50.5	24	60	PB-H120DPS2460	PB-H120DPS2460S	17,651	+70
62.5	30	48	PB-H120DPS3048	PB-H120DPS3048S	16,884	+72
62.5	30	54	PB-H120DPS3054	PB-H120DPS3054S	17,591	+81
62.5	30	60	PB-H120DPS3060	PB-H120DPS3060S	17,977	+90



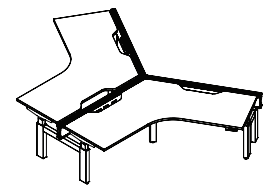
24" Deep (Grommet option)



24" Deep (Scallop)



30" Deep (Grommet option)



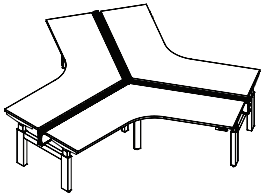
30" Deep (Scallop)

Specify	Notes
<ul style="list-style-type: none"> Laminate Selection for Worksurface Color Selection for Edge Paint Selection for Leg (Black, Metallic Silver or White) Paint Selection for H-Leg (+25) Paint Selection for Beam Spine (+10) Grommet Locations (+38) Grommet Cover Color (if applicable) 	<ul style="list-style-type: none"> Kit includes PowerBeam spine with double-sided power. Includes Connection Kit. Height adjustment range of 26.26" - 45.94". PowerBench HATs are designed to have 1 inch gap behind and 2 inch gap between HATs in a PowerBench run. Compatible with 29H Beam Components. Grommet holes with covers are specified as options. PowerBench & PowerBeam products include Single Gang Adapter Plate(s). One for Single Sided applications and two for Double Sided applications. Reference E-DJA. Single sided Power Beams come with one outlet cover per beam. Double Sided Power Beams come with two outlet covers per beam.

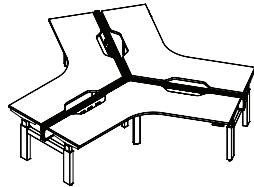
Encounter PowerBench H Leg 120 Triple-Sided Kit

ENCOUNTER POWERBENCH H LEG 120 TRIPLE-SIDED KIT

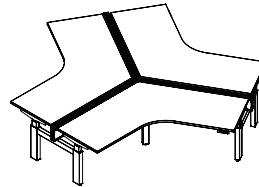
Actual Full Depth	Nominal Worksurface Depth	Nominal Width	with Grommet Options	with Scallop	List	Grade C Laminate
			Model Number	Model Number		
50.5	24	48	PB-H120TPS2448	PB-H120TPS2448S	21,009	+64
50.5	24	54	PB-H120TPS2454	PB-H120TPS2454S	21,805	+70
50.5	24	60	PB-H120TPS2460	PB-H120TPS2460S	22,319	+70
62.5	30	48	PB-H120TPS3048	PB-H120TPS3048S	21,440	+72
62.5	30	54	PB-H120TPS3054	PB-H120TPS3054S	22,282	+81
62.5	30	60	PB-H120TPS3060	PB-H120TPS3060S	22,809	+90



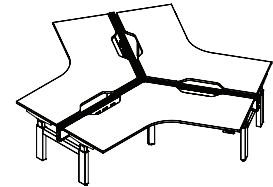
24" Deep (Grommet option)



24" Deep (Grommet option)



30" Deep (Scallop)



30" Deep (Scallop)

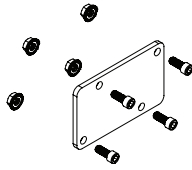
Specify

Notes

- Laminate Selection for Worksurface
- Color Selection for Edge
- Paint Selection for Leg (Black, Metallic Silver or White)
- Paint Selection for H-Leg (+25)
- Paint Selection for Beam Spine (+10)
- Grommet Locations (+38)
- Grommet Cover Color (if applicable)
- Kit includes PowerBeam spine with double-sided power. Includes Connection Kit.
- Height adjustment range of 26.26" - 45.94".
- PowerBench HATs are designed to have 1 inch gap behind and 2 inch gap between HATs in a PowerBench run.
- Compatible with 29H Beam Components.
- Grommet holes with covers are specified as options.
- PowerBench & PowerBeam products include Single Gang Adapter Plate(s). One for Single Sided applications and two for Double Sided applications. Reference E-DJA.
- Single sided Power Beams come with one outlet cover per beam. Double Sided Power Beams come with two outlet covers per beam.

POWERBENCH CONNECTION KIT

Connection Type	Model Number	List
H Leg	T-BBSCK	40



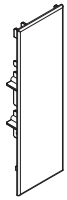
Specify	Notes
---------	-------

- | | |
|--|---|
| <ul style="list-style-type: none"> • No color selection | <ul style="list-style-type: none"> • This part is required to mechanically join two lengths of Spine Beam Kit in a straight line, for a la carte building of PowerBench with H Leg or Laminate Bases. • This part is included in the PowerBench kits, and is not required when designing with these kits. |
|--|---|

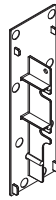
Endcaps, Supports, Flush Mount Connection Kits and Wall Anchor Brackets

ENDCAP

Model Number	List	Grade C Paint
T-BREC	55	+10



Front Side



Back Side

Specify

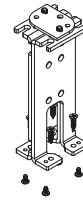
- Paint Selection

Notes

- Endcaps are required to cap the end of a spine beam section at the end of a cluster.
- Endcaps are not needed when end panels are used.

VERTICAL SUPPORT FOR STORAGE MOUNTING

Model Number	List
T-BVS	149



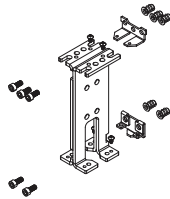
Specify

Notes

- Order this support when mounting the end of a spine beam on top of 21h Calibrate storage elements.
- This connector can be used shared between two beam sections as long as both sections are sitting on top of a storage element.

FLUSH MOUNT CONNECTION KIT

Model Number	List
T-BVSFLUSH	259



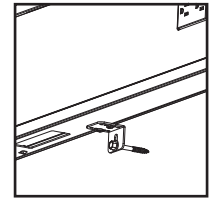
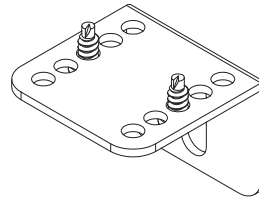
Specify

Notes

- Order this connector when mounting a beam section flush against the side of a storage element.

BEAM WALL ANCHOR BRACKET

Model Number	List
T-BWAB	111



Specify

- Paint Selection (Grade C +10)

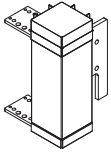
Notes

- Wall Anchors are sold in pairs. Install 2 anchors for each Beam section.
- The Wall Anchor is used to provide additional stability where the Beam is stationed directly against a wall.
- The Wall Anchor is to be used in addition to post legs, and does not replace them.
- The Wall Anchor must be installed to a wall stud or other structural component of the wall. It is the responsibility of the installer to determine a suitable screw for the substrate that it will attach to.

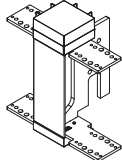
90° and 120° Connection Kits

90° CONNECTION KITS

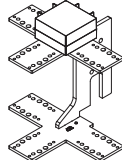
Connection Type	Model Number	List	Grade C Paint
2-Way	T-B2W90C	248	+10
3-Way	T-B3W90C	248	+10
4-Way	T-B4W90C	248	+10



2-Way Connection Kit



3-Way Connection Kit



4-Way Connection Kit

Specify

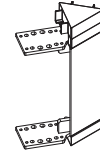
- Paint Selection

Notes

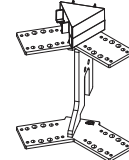
- 90 degree connection kits join beam sections at 90 degree angles for 2, 3 or 4 beam sections.
- Note: All spine beams must be supported by at least one leg per connection.

120° CONNECTION KITS

Connection Type	Model Number	List	Grade C Paint
2-Way	T-B2W120C	248	+10
3-Way	T-B3W120C	248	+10



2-Way Connection Kit



3-Way Connection Kit

Specify

- Paint Selection

Notes

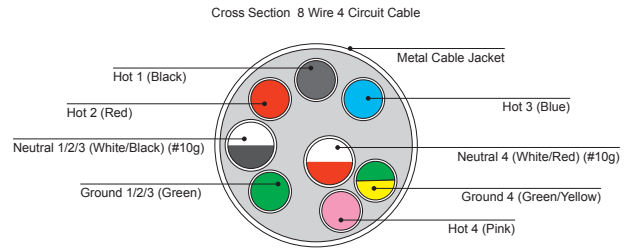
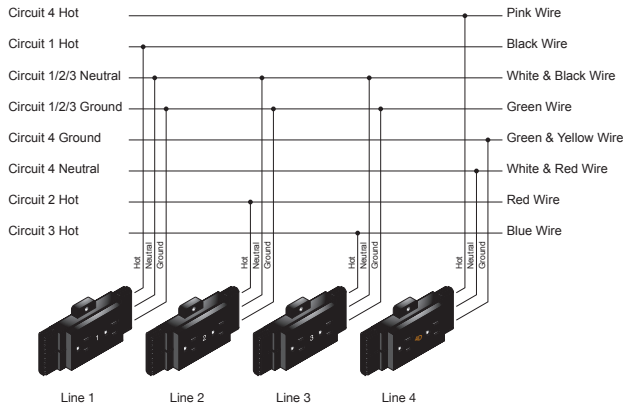
- 120 degree connection kits join beam sections at 120 degree angles for 2 or 3 beam sections.
- Note: All spine beams must be supported by at least one leg per connection.

Electrical Product Details

8 WIRE 4 CIRCUIT

AIS 8 Wire 4 Circuit electrical system contains four circuits. Each circuit is rated at 20 amps/120 volts maximum. Circuit 1, Circuit 2 and Circuit 3 are served by a system neutral and an equipment ground. Circuit 4 is dedicated and is served by its own neutral and ground. Circuit and ground conductors are #12 A.G.W. (gauge). All neutrals are #10 A.G.W. (gauge).

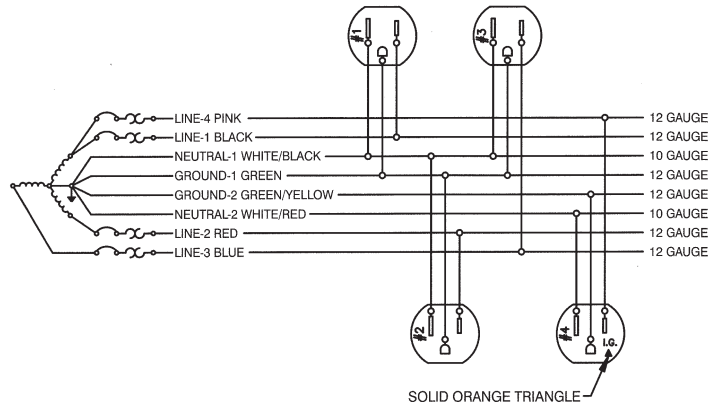
Shown below is a cross section of metal cable used for 8 Wire 4 Circuit jumpers and infeeds. Circuit and ground conductors are #12 A.G.W. (gauge). All neutrals are #10 A.G.W. (gauge).



DUPLEX OUTLETS

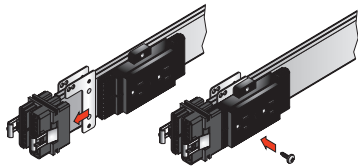
Duplex Outlets are designated as circuits 1 through 4. Each duplex outlet contains two single receptacles (places to plug into) of the same circuit and are specified separately from powerways. All duplex outlets have black faces. The lettering on outlets for Circuit 1, 2 and 3 is white. The lettering on outlets for Circuit 4 is orange. Outlets are screw mounted to powerway. Duplex outlets are standard 15 amp outlets. For 20 amp outlets, call AIS Customer Service.

BASE FEED WIRING SCHEMATIC - 8 WIRE 4 CIRCUIT SYSTEM



Common Equipment Amperages

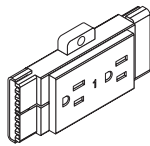
Personal Computer	2.00 - 4.00
Laser Printer	5.00 - 8.00
Desktop Plotter	1.50
Fan	1.00
Heater	8.50 - 12.50
Tasklight	1.00
Slide Projector	2.00 - 6.00
Coffee Pot	15.00
Paper Shredder	4.40 - 13.00
Radio	0.05
Pencil Sharpener	1.00
Calculator	0.25
Answering Machine	0.08



Duplex Outlets

DUPLEX OUTLETS

Line	Color	Model Number	List
1	Black	E-MW8W4DO1	81
2	Black	E-MW8W4DO2	81
3	Black	E-MW8W4DO3	81
4	Black	E-MW8W4DO4	81
1	White	E-MW8W4DO1-W	81
2	White	E-MW8W4DO2-W	81
3	White	E-MW8W4DO3-W	81
4	White	E-MW8W4DO4-W	81

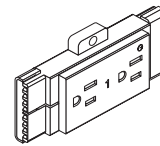


Notes

- Duplex Outlets are available at designated circuits 1 through 4.
- Each duplex outlet contains two single receptacles (places to plug into) of the same circuit and are specified separately from powerways.
- Available in black or white. The lettering on outlets for Circuit 1, 2 and 3 is white. The lettering on outlets for Circuit 4 is orange.
- Outlets are screw mounted to powerway.
- Duplex outlets are standard 15 amp outlets.
- Can be used with multi-circuit electrical units.

CALIFORNIA TITLE 24 CONTROLLED DUPLEX OUTLETS

Line	Color	Model Number	List
1	Black	E-MW8W4T24DO1	94
2	Black	E-MW8W4T24DO2	94
3	Black	E-MW8W4T24DO3	94
4	Black	E-MW8W4T24DO4	94
1	White	E-MW8W4T24DO1-W	94
2	White	E-MW8W4T24DO2-W	94
3	White	E-MW8W4T24DO3-W	94
4	White	E-MW8W4T24DO4-W	94



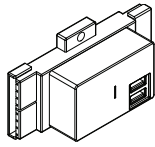
Notes

- In California, 50 percent of all outlets in a systems panel cluster or benching cluster, for new construction, MUST be controlled outlets, even if there is no task lighting.
- Customers should plan on using circuits 2 and 3 for controlled circuits, and plan general load for all other items on circuits 1 and 4.
- If using 2 + 2 configuration, controlled circuits should be 1 and 2, and general load circuits on 4 and 5.
- Outlets must have the “controlled” symbol for identification purposes.
- Can be used with multi-circuit electrical units.

Duplex Outlets

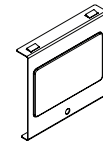
USB OUTLETS

Line	Color	Model Number	List
1	Black	E-UN8W4USB01	330
2	Black	E-UN8W4USB02	330
3	Black	E-UN8W4USB03	330
4	Black	E-UN8W4USB04	330
1	White	E-UN8W4USB01-W	294
2	White	E-UN8W4USB02-W	294
3	White	E-UN8W4USB03-W	294
4	White	E-UN8W4USB04-W	294



DUPLEX OUTLET HOLE COVER

Model Number	List
T-BOC	46



Notes

- USB Outlets bring charging options to panel power distribution systems.
- The USB Outlets provide convenient charging power access through dual ports on the face of the receptacle.
- The USB Outlets offer a total of 2 Amps between two USB charging ports.
- The USB Outlets are UL and FCC Part 15A approved.
- Can be used with multi-circuit electrical units.

Specify

- Paint Selection

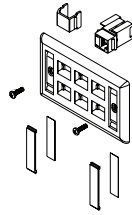
Notes

- Duplex covers are supplied with each powered spine beam.
- Order extra covers only when required.

Data Plate Kits

DATA PLATE KIT

Item	Model Number	List
6 Port Data Gang Plate	E-HDP6B-SM	35
CAT 5e Jack	E-HRJ45-SM	128
CAT 6 Data Jack	E-HXJ6BK-SM	139
Hole Blank (10 Pack)	E-SFBB10-SM	86

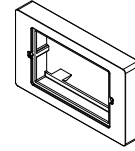


Notes

- Single Data Plate Kit has six ports for modular jacks.
- Bezel screws directly to the access box in pre-drilled and tapped hole pattern.
- RJ-45 jacks can be used in place of RJ-11 jacks.
- Single Gang Plate Adapter required for use with Data Plate Kit and must be ordered separately.

SINGLE GANG PLATE ADAPTER

Model Number	List
E-DJA	49



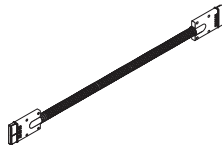
Notes

- Single Gang Plate Adapter required for use with Data Plate Kit and must be ordered separately.
- Available only in black.

Electrical Jumpers

ELECTRICAL JUMPERS

Actual L	Model Number	List
18	E-MX8W4PTPC18	220
21	E-MX8W4PTPC21	231
24	E-UN8W4VT16	270
30	E-UN8W4J30	287
33	E-HM8W4PJ24	288
37	E-MW8W4PJ18	283
39	E-HM8W4PJ30	288
43	E-MW8W4PJ24	315
45	E-MW8W4PJ24E	328
48	E-UN8W4J48	287
49	E-MW8W4PJ30	337
51	E-MW8W4PJ30E	344
55	E-MW8W4PJ36	347
57	E-MW8W4PJ36E	356
61	E-MW8W4PJ42	359
63	E-MW8W4PJ42E	365
67	E-MW8W4PJ48	387
69	E-MW8W4PJ48E	397
79	E-MW8W4PJ60	416
81	E-MW8W4PJ60E	438
86	E-MW8W4PJ86	476



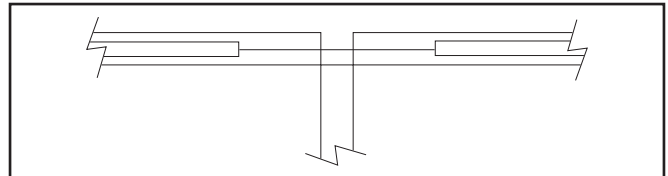
Notes

- Electrical jumpers are used for connecting powered bench top kits to each other in a plan.
- Electrical jumpers are listed in actual lengths to assist with specification.
- Jumper use is explained in the *Jumper Specification Grid* chart.
- **Important:** Certain areas of Chicago prohibit the use of modular electrical systems and require all electrical components to be hard wired. All electrical components need to be supplied by the electrician.

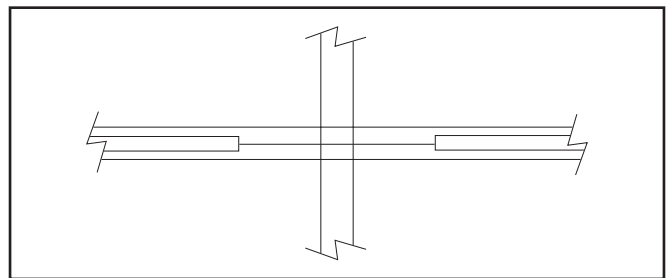
Aloft and Encounter PowerBeam Jumper Specification Grid:
Jumper length when joining powered spine beams together.

Bench Width	To 36"	To 42"	To 48"	To 54"	To 60"	To 66"	To 72"	To 78"	To 84"	To 90"	To 96"
From 36"	18	18	21	24	30	30	33	37	39	43	45
From 42"	18	21	24	30	30	33	37	39	43	45	48
From 48"	21	24	30	30	33	37	39	43	45	48	51
From 54"	24	30	30	33	37	39	43	45	48	51	55
From 60"	30	30	33	37	39	43	45	48	51	55	57
From 66"	30	33	37	39	43	45	48	51	55	57	61
From 72"	33	37	39	43	45	48	51	55	57	61	63
From 78"	37	39	43	45	48	51	55	57	61	63	67
From 84"	39	43	45	48	51	55	57	61	63	67	69
from 90"	43	45	48	51	55	57	61	63	67	69	79
From 96"	45	48	51	55	57	61	63	67	69	79	79

Note: When jumping across 3 or 4-way, specify next longest jumper length.



3-Way Condition - use next longest jumper



4-Way Condition - use next longest jumper

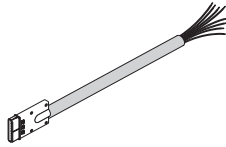
Example:

60 wide to 60 wide straight connection = 39" jumper.
60 wide to 60 wide 3 or 4-way specification would require next size up = 43" jumper.

Base In-Feeds, Ceiling In-Feeds, Undermount and End Mount Poles

SIDE-MOUNTED BASE IN-FEEDS

Actual L	Use	Model Number	List
72"	Standard	E-UN8W4BIFS	513
72"	New York City	E-HM8W4BIFSNY	1,019

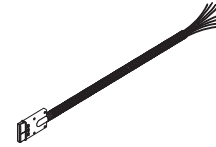


Notes

- Side-mounted base in-feeds provide interface with building power at the end of the power units and mounts to the powerway at jumper location.
- Each base in-feed is 6' in length, encased in "liquid tight".
- New York City code requires the use of a special base feed with an in-line junction box.

CEILING IN-FEED

Actual L	Model Number	List
144"	E-UN8W4CIF	600

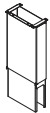


Notes

- Ceiling in-feeds provide interface with building power from a suspended ceiling through a power pole shell.
- Each ceiling feed is 12' long.
- Power pole shells are ordered separately.

UNDERMOUNT POLES

Type	Model Number	List	Grade C Paint
For 21 High	T-BUMP21	441	+25
For 25 High	T-BUMP25	468	+25
For 29 High	T-BUMP29	491	+25



For 21 High



For 25 High



For 29 High

Specify

- Paint Selection

Notes

- Undermount poles can be used to conceal data and electrical cables running from floor to beam trough.
- Poles "telescope" 2 inches to adjust with legs and have a side access mouse hole.
- Poles are mounted at either end of a beam section but cannot be mounted in middle without cutting an access hole in field.
- Order base feed separately.

END MOUNT POLE

Type	Model Number	List	Grade C Paint
For 21 High	T-BEMP21	1,467	+25
For 25 High	T-BEMP25	1,467	+25
For 29 High	T-BEMP29	1,467	+25



Specify

- Paint Selection

Notes

- End mount poles are used for concealing ceiling in-feeds or data cables from a max 11'6" standard suspended ceiling.
- Choose pole that corresponds to the beam height.
- Order ceiling feed separately.
- Poles must be attached to ceiling grids at time of installation. Beam will not support pole alone.
- Poles are not UL listed for splicing cables in pole and are for aesthetic purposes only.

Pole Extenders, Power Cord Trays and Cable Management Strips

POWER / DATA POLE EXTENDERS

Actual H	Model Number	List	Grade C Paint
28"	A-PPEX28	311	+10
48"	A-PPEX48	449	+10



Specify	Notes
<ul style="list-style-type: none"> • Paint Selection 	<ul style="list-style-type: none"> • Power/data pole extender includes one pole section, one cover, one pole coupler and one divider. • Order ceiling feeds separately.

POWER CORD TRAYS

W	Model Number	List	Grade C Paint
36	T-BPCT36	149	+10
42	T-BPCT42	166	+10
48	T-BPCT48	186	+10
54	T-BPCT54	203	+10
60	T-BPCT60	222	+10
66	T-BPCT66	242	+10
72	T-BPCT72	259	+10
78	T-BPCT78	265	+10
84	T-BPCT84	284	+10
90	T-BPCT90	301	+10
96	T-BPCT96	315	+10

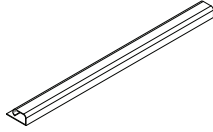


Specify	Notes
<ul style="list-style-type: none"> • Paint Selection 	<ul style="list-style-type: none"> • Power Cord Trays are ordered separately to mount to the spine beam to accommodate users power cords when plugged into beam. • Trays can span more than one beam section and smaller trays can be mounted on longer beams.

Wire Managers and Anti-Fatigue Mats

TABLE WIRE MANAGER

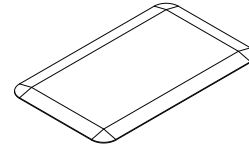
Model Number	List
A-WMJC98	150



Specify **Notes**

ANTI-FATIGUE MAT

W	D	Thickness	Model Number	List
34	20	3/4	A-HF342075	225

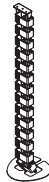


Notes

- Custom blended medium density polyurethane foam.
- High tear strength polyurethane outer membrane.
- Available in black only.

VERTICAL WIRE MANAGERS

Length	Model Number	List
29	A-VWM29	307
50	A-VWM50	622



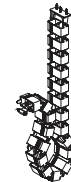
Specify **Notes**

Notes

- Flexible chain allows for “lay in” of data and power cords.
- 29” long with weighted base perfect for managing cables from floor to underside of fixed height tables.
- 50” long with weighted base perfect for managing cables from floor to underside of height adjustable tables.

DESKING VERTICAL WIRE MANAGER

L	Model Number	List
40	T-TVWM40	447



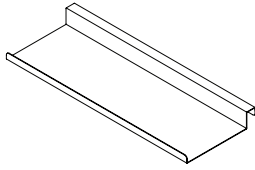
Specify **Notes**

- Flexible chain allows for “lay in” of data and power cords.
- Spans from underside of height adjustable table to beam or power cord tray.

Encounter PowerBeam Mini Shelf and Bag Hook

ENCOUNTER POWERBEAM MINI SHELF

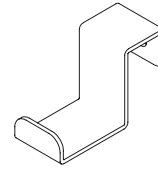
D	W	Model Number	List	Grade C Paint
6	18	T-BMS18	108	+10



Specify	Notes
<ul style="list-style-type: none"> • Paint Selection 	<ul style="list-style-type: none"> • Hangs on beam. • 5 lbs max weight capacity.

ENCOUNTER POWERBEAM BAG HOOK

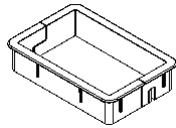
Model Number	List	Grade C Paint
T-BBH	66	+10



Specify	Notes
<ul style="list-style-type: none"> • Paint Selection 	<ul style="list-style-type: none"> • Measures 1" x 2". • Hangs on beam. • 10 lbs max weight capacity.

CALIBRATE TRIM RINGS FOR HEIGHT ADJUSTABLE TABLES AND DESKS

Model Number	List
X-PLG2	7

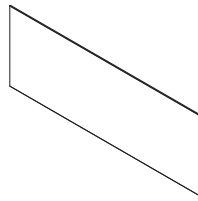


Specify	Notes
<ul style="list-style-type: none"> • Color selection (Black, White, or Silver) 	<ul style="list-style-type: none"> • HAT trim rings are included with all height adjustable Calibrate products. • Order separately for replacements only.

Class 1/4" Universal Spine Insert Screens

GLASS 1/4" UNIVERSAL SPINE INSERT SCREENS						
H	W	Horizon Planning	Model Number	Clear Glass	Bronze/Gray Glass	Frosted Glass
12	36	42"H	O-3-1236	379	+ 50	+ 182
12	42	42"H	O-3-1242	410	+ 58	+ 212
12	48	42"H	O-3-1248	439	+ 66	+ 242
12	54	42"H	O-3-1254	564	+ 75	+ 273
12	60	42"H	O-3-1260	499	+ 83	+ 303
12	66	42"H	O-3-1266	528	+ 91	+ 333
12	72	42"H	O-3-1272	558	+ 99	+ 363
12	78	42"H	O-3-1278	589	+ 108	+ 394
12	84	42"H	O-3-1284	618	+ 116	+ 424
16	36	46"H	O-3-1636	564	+ 65	+ 236
16	42	46"H	O-3-1642	594	+ 76	+ 276
16	48	46"H	O-3-1648	627	+ 86	+ 316
16	54	46"H	O-3-1654	681	+ 97	+ 355
16	60	46"H	O-3-1660	728	+ 108	+ 394
16	66	46"H	O-3-1666	742	+ 119	+ 434
16	72	46"H	O-3-1672	763	+ 129	+ 473
16	78	46"H	O-3-1678	780	+ 140	+ 513
16	84	46"H	O-3-1684	798	+ 151	+ 552

GLASS 1/4" UNIVERSAL SPINE INSERT SCREENS						
H	W	Horizon Planning	Model Number	Clear Glass	Bronze/Gray Glass	Frosted Glass
20	36	50"H	O-3-2036	528	+ 80	+ 291
20	42	50"H	O-3-2042	601	+ 93	+ 340
20	48	50"H	O-3-2048	656	+ 106	+ 389
20	54	50"H	O-3-2054	710	+ 120	+ 437
20	60	50"H	O-3-2060	765	+ 133	+ 486
20	66	50"H	O-3-2066	821	+ 146	+ 535
20	72	50"H	O-3-2072	875	+ 159	+ 583
20	78	50"H	O-3-2078	932	+ 173	+ 632
20	84	50"H	O-3-2084	987	+ 186	+ 680
24	36	54"H	O-3-2436	586	+ 95	+ 346
24	42	54"H	O-3-2442	647	+ 111	+ 404
24	48	54"H	O-3-2448	710	+ 126	+ 462
24	54	54"H	O-3-2454	773	+ 142	+ 520
24	60	54"H	O-3-2460	835	+ 158	+ 577
24	66	54"H	O-3-2466	898	+ 174	+ 635
24	72	54"H	O-3-2472	958	+ 189	+ 693
24	78	54"H	O-3-2478	1,020	+ 205	+ 751
24	84	54"H	O-3-2484	1,082	+ 221	+ 808



Specify

- Glass Type

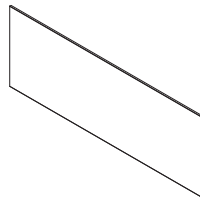
Notes

- Universal Spine Insert Screens are designed to up-mount in the spine beam.
- Frosted glass is etched on one side. Patterned glass is patterned vertically as standard. Specials for horizontally patterned glass cannot be manufactured larger than 72" in width.
- Universal Spine Insert Screens can only be used on spine beam sections that are mounted to Calibrate storage elements, supported by end panels or attached to other beams sections at 90 degree or 120 degree angles.
- Glass Universal Spine Insert Screens cannot be used on straight runs with T-feet only.

Glass 3/8" Universal Spine Insert Screens

GLASS 3/8" UNIVERSAL SPINE INSERT SCREENS						
H	W	Horizon Planning	Model Number	Clear Glass	Bronze/Gray Glass	Frosted Glass
12	36	42"H	O-SGH1236	623	+ 50	+ 99
12	42	42"H	O-SGH1242	691	+ 58	+ 116
12	48	42"H	O-SGH1248	757	+ 66	+ 132
12	54	42"H	O-SGH1254	826	+ 75	+ 149
12	60	42"H	O-SGH1260	893	+ 83	+ 165
12	66	42"H	O-SGH1266	961	+ 91	+ 182
12	72	42"H	O-SGH1272	1,029	+ 99	+ 198
12	78	42"H	O-SGH1278	1,097	+ 108	+ 215
12	84	42"H	O-SGH1284	1,164	+ 116	+ 231
16	36	46"H	O-SGH1636	640	+ 65	+ 129
16	42	46"H	O-SGH1642	734	+ 76	+ 151
16	48	46"H	O-SGH1648	833	+ 86	+ 172
16	54	46"H	O-SGH1654	904	+ 97	+ 194
16	60	46"H	O-SGH1660	936	+ 108	+ 215
16	66	46"H	O-SGH1666	1,038	+ 119	+ 237
16	72	46"H	O-SGH1672	1,114	+ 129	+ 258
16	78	46"H	O-SGH1678	1,137	+ 140	+ 280
16	84	46"H	O-SGH1684	1,204	+ 151	+ 301

GLASS 3/8" UNIVERSAL SPINE INSERT SCREENS						
H	W	Horizon Planning	Model Number	Clear Glass	Bronze/Gray Glass	Frosted Glass
20	36	50"H	O-SGH2036	830	+ 80	+ 159
20	42	50"H	O-SGH2042	935	+ 93	+ 186
20	48	50"H	O-SGH2048	1,038	+ 106	+ 212
20	54	50"H	O-SGH2054	1,144	+ 120	+ 239
20	60	50"H	O-SGH2060	1,248	+ 133	+ 265
20	66	50"H	O-SGH2066	1,353	+ 146	+ 292
20	72	50"H	O-SGH2072	1,457	+ 159	+ 318
20	78	50"H	O-SGH2078	1,563	+ 173	+ 345
20	84	50"H	O-SGH2084	1,667	+ 186	+ 371
24	36	54"H	O-SGH2436	944	+ 95	+ 189
24	42	54"H	O-SGH2442	1,067	+ 111	+ 221
24	48	54"H	O-SGH2448	1,192	+ 126	+ 252
24	54	54"H	O-SGH2454	1,314	+ 142	+ 284
24	60	54"H	O-SGH2460	1,439	+ 158	+ 315
24	66	54"H	O-SGH2466	1,564	+ 174	+ 347
24	72	54"H	O-SGH2472	1,687	+ 189	+ 378
24	78	54"H	O-SGH2478	1,810	+ 205	+ 410
24	84	54"H	O-SGH2484	1,931	+ 221	+ 441



Specify

- Glass Type

Notes

- Universal Spine Insert Screens are designed to up-mount in the spine beam.
- Frosted glass is etched on one side. Patterned glass is patterned vertically as standard. Specials for horizontally patterned glass cannot be manufactured larger than 72" in width.
- Universal Spine Insert Screens can only be used on spine beam sections that are mounted to Calibrate storage elements, supported by end panels or attached to other beams sections at 90 degree or 120 degree angles.
- Glass Universal Spine Insert Screens cannot be used on straight runs with T-feet only.

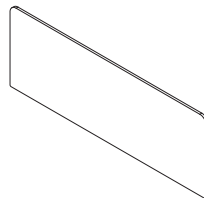
PET Universal Spine Insert Screens

PET UNIVERSAL SPINE INSERT SCREENS

H	W	Planning	Model Number	List
12	36	42"H	O-5-1236	339
12	42	42"H	O-5-1242	348
12	48	42"H	O-5-1248	360
12	54	42"H	O-5-1254	369
12	60	42"H	O-5-1260	379
12	66	42"H	O-5-1266	390
12	72	42"H	O-5-1272	399
12	78	42"H	O-5-1278	410
12	84	42"H	O-5-1284	419
16	36	46"H	O-5-1636	360
16	42	46"H	O-5-1642	371
16	48	46"H	O-5-1648	386
16	54	46"H	O-5-1654	399
16	60	46"H	O-5-1660	413
16	66	46"H	O-5-1666	426
16	72	46"H	O-5-1672	439
16	78	46"H	O-5-1678	452
16	84	46"H	O-5-1684	466
20	36	50"H	O-5-2036	379
20	42	50"H	O-5-2042	397
20	48	50"H	O-5-2048	413
20	54	50"H	O-5-2054	430
20	60	50"H	O-5-2060	445
20	66	50"H	O-5-2066	462
20	72	50"H	O-5-2072	480
20	78	50"H	O-5-2078	495
20	84	50"H	O-5-2084	513

PET UNIVERSAL SPINE INSERT SCREENS

H	W	Planning	Model Number	List
24	36	54"H	O-5-2436	399
24	42	54"H	O-5-2442	419
24	48	54"H	O-5-2448	439
24	54	54"H	O-5-2454	459
24	60	54"H	O-5-2460	480
24	66	54"H	O-5-2466	499
24	72	54"H	O-5-2472	518
24	78	54"H	O-5-2478	538
24	84	54"H	O-5-2484	558
28	36	58"H	O-5-2836	419
28	42	58"H	O-5-2842	443
28	48	58"H	O-5-2848	466
28	54	58"H	O-5-2854	489
28	60	58"H	O-5-2860	513
28	66	58"H	O-5-2866	536
28	72	58"H	O-5-2872	558
28	78	58"H	O-5-2878	583
28	84	58"H	O-5-2884	605
32	36	62"H	O-5-3236	439
32	42	62"H	O-5-3242	466
32	48	62"H	O-5-3248	493
32	54	62"H	O-5-3254	518
32	60	62"H	O-5-3260	546
32	66	62"H	O-5-3266	571
32	72	62"H	O-5-3272	598
32	78	62"H	O-5-3278	626
32	84	62"H	O-5-3284	651



Specify

Notes

• Color Selection for PET - Lite Grey, Medium Grey, Tan or Vibrant Blue

- Universal Spine Insert Screens are designed to up-mount in the spine beam.
- Universal Spine Insert Screens can only be used on spine beam sections that are mounted to Calibrate storage elements, supported by end panels or attached to other beams sections at 90 degree or 120 degree angles.

Product Details

SINGLE END MOUNTING HEIGHT 21", 25" & 29" GRAIN DIRECTIONS												
HEIGHT	WIDTH											
	24	30	36	42	48	54	60	66	72	78	84	90
29	Vert./Horz.	Vert./Horz.	Vert./Horz.	Vert./Horz.	Vert./Horz.	Vert./Horz.	Horizontal	Horizontal	Horizontal	Horizontal	Horizontal	Horizontal
42	Vert./Horz.	Vert./Horz.	Vert./Horz.	Vert./Horz.	Vert./Horz.	Vert./Horz.	Horizontal	Horizontal	Horizontal	Horizontal	Horizontal	Horizontal
46	Vert./Horz.	Vert./Horz.	Vert./Horz.	Vert./Horz.	Vert./Horz.	Vert./Horz.	Horizontal	Horizontal	Horizontal	Horizontal	Horizontal	Horizontal
50	Vert./Horz.	Vert./Horz.	Vert./Horz.	Vert./Horz.	Vert./Horz.	Vert./Horz.	Horizontal	Horizontal	Horizontal	Horizontal	Horizontal	Horizontal
58	Vert./Horz.	Vert./Horz.	Vert./Horz.	Vert./Horz.	Vert./Horz.	Vert./Horz.	Horizontal	Horizontal	Horizontal	Horizontal	Horizontal	Horizontal

DOUBLE END MOUNTING HEIGHT 21", 25" & 29" GRAIN DIRECTIONS								
HEIGHT	WIDTH							
	48	54	60	66	72	78	84	90
29	Vert./Horz.	Vert./Horz.	Horizontal	Horizontal	Horizontal	Horizontal	Horizontal	Horizontal
42	Vert./Horz.	Vert./Horz.	Horizontal	Horizontal	Horizontal	Horizontal	Horizontal	Horizontal
46	Vert./Horz.	Vert./Horz.	Horizontal	Horizontal	Horizontal	Horizontal	Horizontal	Horizontal
50	Vert./Horz.	Vert./Horz.	Horizontal	Horizontal	Horizontal	Horizontal	Horizontal	Horizontal
58	Vert./Horz.	Vert./Horz.	Horizontal	Horizontal	Horizontal	Horizontal	Horizontal	Horizontal

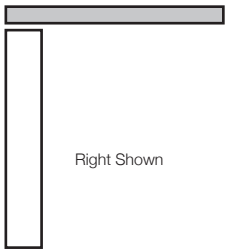
MID MOUNT MOUNTING HEIGHT 21", 25" & 29" GRAIN DIRECTIONS												
HEIGHT	WIDTH											
	24	30	36	42	48	54	60	66	72	78	84	90
29	Vert./Horz.	Vert./Horz.	Vert./Horz.	Vert./Horz.	Vert./Horz.	Vert./Horz.	Horizontal	Horizontal	Horizontal	Horizontal	Horizontal	Horizontal
42	Vert./Horz.	Vert./Horz.	Vert./Horz.	Vert./Horz.	Vert./Horz.	Vert./Horz.	Horizontal	Horizontal	Horizontal	Horizontal	Horizontal	Horizontal
46	Vert./Horz.	Vert./Horz.	Vert./Horz.	Vert./Horz.	Vert./Horz.	Vert./Horz.	Horizontal	Horizontal	Horizontal	Horizontal	Horizontal	Horizontal
50	Vert./Horz.	Vert./Horz.	Vert./Horz.	Vert./Horz.	Vert./Horz.	Vert./Horz.	Horizontal	Horizontal	Horizontal	Horizontal	Horizontal	Horizontal
58	Vert./Horz.	Vert./Horz.	Vert./Horz.	Vert./Horz.	Vert./Horz.	Vert./Horz.	Horizontal	Horizontal	Horizontal	Horizontal	Horizontal	Horizontal

WING PANEL LEFT AND RIGHT GRAIN DIRECTIONS		
HEIGHT	WIDTH	
	24	30
29	Vert./Horz.	Vert./Horz.
42	Vert./Horz.	Vert./Horz.
46	Vert./Horz.	Vert./Horz.
50	Vertical	Vertical
58	Vertical	Vertical

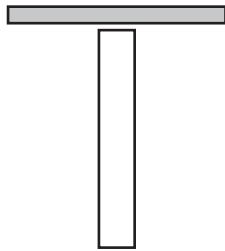
Note: 58" high panels with 21" Beam mounting height are not available.

Gallery Panel Examples

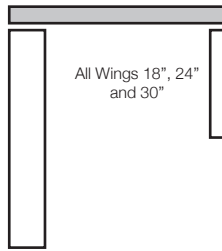
Single End
24" - 90" Wide*
Left or Right
**Over 66" Wide needs support*



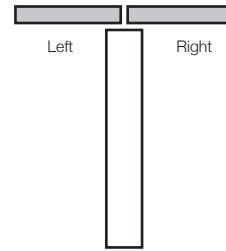
Double End
48" - 90" Wide



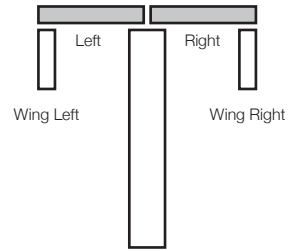
Single End for Wing
48" - 90" Wide
Left or Right



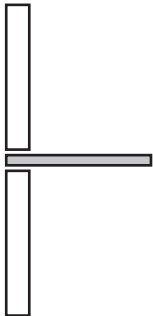
Mid Mount End
24" - 90" Wide*
Left or Right
**Over 66" Wide needs support*



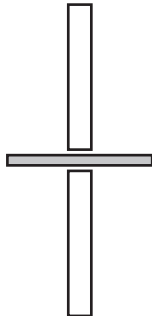
Mid Mount End for Wing
48" - 90" Wide
Left or Right



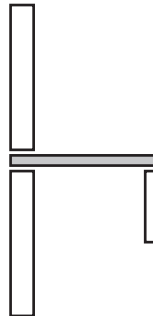
Single Spine
24" - 90" Wide*
Non-Handed
**Over 66" Wide needs support*



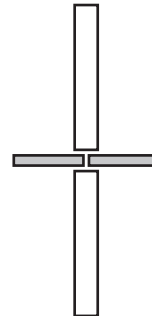
Double Spine
48" - 90" Wide
Non-Handed



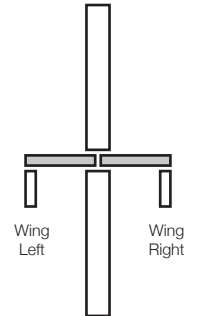
Single Spine for Wing
48" - 90" Wide
Left or Right



Mid Mount Spine
24" - 90" Wide*
Non-Handed
**Over 66" Wide needs support*



Mid Mount Spine for Wing
60" - 90" Wide
Left or Right



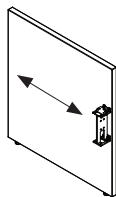
Laminate Gallery Panels – Beam Mount, Single End

21" BEAM MOUNT, HORIZONTAL GRAIN PATTERN – SINGLE END

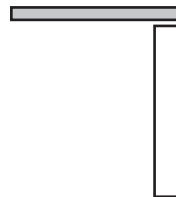
H	W	Left	Right	List
		Model Number	Model Number	
29	24	T-SLEP292421L	T-SLEP292421R	608
29	30	T-SLEP293021L	T-SLEP293021R	639
29	36	T-SLEP293621L	T-SLEP293621R	656
29	42	T-SLEP294221L	T-SLEP294221R	670
29	48	T-SLEP294821L	T-SLEP294821R	680
29	54	T-SLEP295421L	T-SLEP295421R	691
29	60	T-SLEP296021L	T-SLEP296021R	816
29	66	T-SLEP296621L	T-SLEP296621R	858
29	72	T-SLEP297221L	T-SLEP297221R	914
29	78	T-SLEP297821L	T-SLEP297821R	968
29	84	T-SLEP298421L	T-SLEP298421R	1,023
29	90	T-SLEP299021L	T-SLEP299021R	1,078
42	24	T-SLEP422421L	T-SLEP422421R	654
42	30	T-SLEP423021L	T-SLEP423021R	705
42	36	T-SLEP423621L	T-SLEP423621R	750
42	42	T-SLEP424221L	T-SLEP424221R	792
42	48	T-SLEP424821L	T-SLEP424821R	838
42	54	T-SLEP425421L	T-SLEP425421R	881
42	60	T-SLEP426021L	T-SLEP426021R	995
42	66	T-SLEP426621L	T-SLEP426621R	1,070
42	72	T-SLEP427221L	T-SLEP427221R	1,100
42	78	T-SLEP427821L	T-SLEP427821R	1,154
42	84	T-SLEP428421L	T-SLEP428421R	1,197
42	90	T-SLEP429021L	T-SLEP429021R	1,240

21" BEAM MOUNT, HORIZONTAL GRAIN PATTERN – SINGLE END

H	W	Left	Right	List
		Model Number	Model Number	
46	24	T-SLEP462421L	T-SLEP462421R	677
46	30	T-SLEP463021L	T-SLEP463021R	738
46	36	T-SLEP463621L	T-SLEP463621R	796
46	42	T-SLEP464221L	T-SLEP464221R	854
46	48	T-SLEP464821L	T-SLEP464821R	916
46	54	T-SLEP465421L	T-SLEP465421R	978
46	60	T-SLEP466021L	T-SLEP466021R	1,086
46	66	T-SLEP466621L	T-SLEP466621R	1,173
46	72	T-SLEP467221L	T-SLEP467221R	1,204
46	78	T-SLEP467821L	T-SLEP467821R	1,247
46	84	T-SLEP468421L	T-SLEP468421R	1,283
46	90	T-SLEP469021L	T-SLEP469021R	1,319
50	24	T-SLEP502421L	T-SLEP502421R	699
50	30	T-SLEP503021L	T-SLEP503021R	771
50	36	T-SLEP503621L	T-SLEP503621R	841
50	42	T-SLEP504221L	T-SLEP504221R	916
50	48	T-SLEP504821L	T-SLEP504821R	993
50	54	T-SLEP505421L	T-SLEP505421R	1,073
50	60	T-SLEP506021L	T-SLEP506021R	1,176
50	66	T-SLEP506621L	T-SLEP506621R	1,277
50	72	T-SLEP507221L	T-SLEP507221R	1,309
50	78	T-SLEP507821L	T-SLEP507821R	1,340
50	84	T-SLEP508421L	T-SLEP508421R	1,370
50	90	T-SLEP509021L	T-SLEP509021R	1,399



Left Hand Shown



Left Hand Shown

Specify

- Laminate with matching edge

Notes

- Cannot be used freestanding, must be attached to a Beam.
- Encounter PowerBeam gallery panels are ordered specific to Beam height.
- Gallery panels add 1 1/8" between or at the end of Beam sections.
- Any gallery panel that extends more than 60" from the Beam must be tied to storage or similar support.
- Encounter PowerBench only compatible with 29"H.

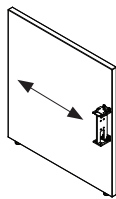
Laminate Gallery Panels – Beam Mount, Single End

25" BEAM MOUNT, HORIZONTAL GRAIN PATTERN – SINGLE END

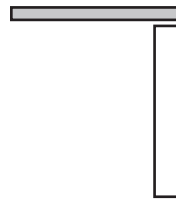
H	W	Left	Right	List
		Model Number	Model Number	
29	24	T-SLEP292425L	T-SLEP292425R	608
29	30	T-SLEP293025L	T-SLEP293025R	639
29	36	T-SLEP293625L	T-SLEP293625R	656
29	42	T-SLEP294225L	T-SLEP294225R	670
29	48	T-SLEP294825L	T-SLEP294825R	680
29	54	T-SLEP295425L	T-SLEP295425R	691
29	60	T-SLEP296025L	T-SLEP296025R	816
29	66	T-SLEP296625L	T-SLEP296625R	858
29	72	T-SLEP297225L	T-SLEP297225R	914
29	78	T-SLEP297825L	T-SLEP297825R	968
29	84	T-SLEP298425L	T-SLEP298425R	1,023
29	90	T-SLEP299025L	T-SLEP299025R	1,078
42	24	T-SLEP422425L	T-SLEP422425R	654
42	30	T-SLEP423025L	T-SLEP423025R	705
42	36	T-SLEP423625L	T-SLEP423625R	750
42	42	T-SLEP424225L	T-SLEP424225R	792
42	48	T-SLEP424825L	T-SLEP424825R	838
42	54	T-SLEP425425L	T-SLEP425425R	881
42	60	T-SLEP426025L	T-SLEP426025R	995
42	66	T-SLEP426625L	T-SLEP426625R	1,070
42	72	T-SLEP427225L	T-SLEP427225R	1,100
42	78	T-SLEP427825L	T-SLEP427825R	1,154
42	84	T-SLEP428425L	T-SLEP428425R	1,197
42	90	T-SLEP429025L	T-SLEP429025R	1,240

25" BEAM MOUNT, HORIZONTAL GRAIN PATTERN – SINGLE END

H	W	Left	Right	List
		Model Number	Model Number	
46	24	T-SLEP462425L	T-SLEP462425R	677
46	30	T-SLEP463025L	T-SLEP463025R	738
46	36	T-SLEP463625L	T-SLEP463625R	796
46	42	T-SLEP464225L	T-SLEP464225R	854
46	48	T-SLEP464825L	T-SLEP464825R	916
46	54	T-SLEP465425L	T-SLEP465425R	978
46	60	T-SLEP466025L	T-SLEP466025R	1,086
46	66	T-SLEP466625L	T-SLEP466625R	1,173
46	72	T-SLEP467225L	T-SLEP467225R	1,204
46	78	T-SLEP467825L	T-SLEP467825R	1,247
46	84	T-SLEP468425L	T-SLEP468425R	1,283
46	90	T-SLEP469025L	T-SLEP469025R	1,319
50	24	T-SLEP502425L	T-SLEP502425R	699
50	30	T-SLEP503025L	T-SLEP503025R	771
50	36	T-SLEP503625L	T-SLEP503625R	841
50	42	T-SLEP504225L	T-SLEP504225R	916
50	48	T-SLEP504825L	T-SLEP504825R	993
50	54	T-SLEP505425L	T-SLEP505425R	1,073
50	60	T-SLEP506025L	T-SLEP506025R	1,176
50	66	T-SLEP506625L	T-SLEP506625R	1,277
50	72	T-SLEP507225L	T-SLEP507225R	1,309
50	78	T-SLEP507825L	T-SLEP507825R	1,340
50	84	T-SLEP508425L	T-SLEP508425R	1,370
50	90	T-SLEP509025L	T-SLEP509025R	1,399



Left Hand Shown



Left Hand Shown

Specify

- Laminate with matching edge

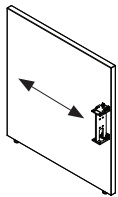
Notes

- Cannot be used freestanding, must be attached to a Beam.
- Encounter PowerBeam gallery panels are ordered specific to Beam height.
- Gallery panels add 1 1/8" between or at the end of Beam sections.
- Any gallery panel that extends more than 60" from the Beam must be tied to storage or similar support.
- Encounter PowerBench only compatible with 29"H.

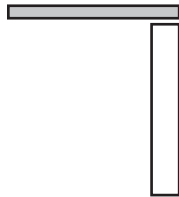
Laminate Gallery Panels – Beam Mount, Single End

25" BEAM MOUNT, HORIZONTAL GRAIN PATTERN – SINGLE END

H	W	Left	Right	List
		Model Number	Model Number	
58	24	T-SLEP582425L	T-SLEP582425R	779
58	30	T-SLEP583025L	T-SLEP583025R	854
58	36	T-SLEP583625L	T-SLEP583625R	921
58	42	T-SLEP584225L	T-SLEP584225R	992
58	48	T-SLEP584825L	T-SLEP584825R	1,047
58	54	T-SLEP585425L	T-SLEP585425R	1,102
58	60	T-SLEP586025L	T-SLEP586025R	1,201
58	66	T-SLEP586625L	T-SLEP586625R	1,300
58	72	T-SLEP587225L	T-SLEP587225R	1,398
58	78	T-SLEP587825L	T-SLEP587825R	1,496
58	84	T-SLEP588425L	T-SLEP588425R	1,594
58	90	T-SLEP589025L	T-SLEP589025R	1,693



Left Hand Shown



Left Hand Shown

Specify

- Laminate with matching edge

Notes

- Cannot be used freestanding, must be attached to a Beam.
- Encounter PowerBeam gallery panels are ordered specific to Beam height.
- Gallery panels add 1 1/8" between or at the end of Beam sections.
- Any gallery panel that extends more than 60" from the Beam must be tied to storage or similar support.
- Encounter PowerBench only compatible with 29"H.

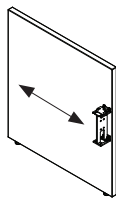
Laminate Gallery Panels – Beam Mount, Single End

29" BEAM MOUNT, HORIZONTAL GRAIN PATTERN – SINGLE END

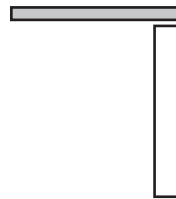
H	W	Left	Right	List
		Model Number	Model Number	
29	24	T-SLEP292429L	T-SLEP292429R	608
29	30	T-SLEP293029L	T-SLEP293029R	639
29	36	T-SLEP293629L	T-SLEP293629R	656
29	42	T-SLEP294229L	T-SLEP294229R	670
29	48	T-SLEP294829L	T-SLEP294829R	680
29	54	T-SLEP295429L	T-SLEP295429R	691
29	60	T-SLEP296029L	T-SLEP296029R	816
29	66	T-SLEP296629L	T-SLEP296629R	858
29	72	T-SLEP297229L	T-SLEP297229R	914
29	78	T-SLEP297829L	T-SLEP297829R	968
29	84	T-SLEP298429L	T-SLEP298429R	1,023
29	90	T-SLEP299029L	T-SLEP299029R	1,078
42	24	T-SLEP422429L	T-SLEP422429R	654
42	30	T-SLEP423029L	T-SLEP423029R	705
42	36	T-SLEP423629L	T-SLEP423629R	750
42	42	T-SLEP424229L	T-SLEP424229R	792
42	48	T-SLEP424829L	T-SLEP424829R	838
42	54	T-SLEP425429L	T-SLEP425429R	881
42	60	T-SLEP426029L	T-SLEP426029R	995
42	66	T-SLEP426629L	T-SLEP426629R	1,070
42	72	T-SLEP427229L	T-SLEP427229R	1,100
42	78	T-SLEP427829L	T-SLEP427829R	1,154
42	84	T-SLEP428429L	T-SLEP428429R	1,197
42	90	T-SLEP429029L	T-SLEP429029R	1,240

29" BEAM MOUNT, HORIZONTAL GRAIN PATTERN

H	W	Left	Right	List
		Model Number	Model Number	
46	24	T-SLEP462429L	T-SLEP462429R	677
46	30	T-SLEP463029L	T-SLEP463029R	738
46	36	T-SLEP463629L	T-SLEP463629R	796
46	42	T-SLEP464229L	T-SLEP464229R	854
46	48	T-SLEP464829L	T-SLEP464829R	916
46	54	T-SLEP465429L	T-SLEP465429R	978
46	60	T-SLEP466029L	T-SLEP466029R	1,086
46	66	T-SLEP466629L	T-SLEP466629R	1,173
46	72	T-SLEP467229L	T-SLEP467229R	1,204
46	78	T-SLEP467829L	T-SLEP467829R	1,247
46	84	T-SLEP468429L	T-SLEP468429R	1,283
46	90	T-SLEP469029L	T-SLEP469029R	1,319
50	24	T-SLEP502429L	T-SLEP502429R	699
50	30	T-SLEP503029L	T-SLEP503029R	771
50	36	T-SLEP503629L	T-SLEP503629R	841
50	42	T-SLEP504229L	T-SLEP504229R	916
50	48	T-SLEP504829L	T-SLEP504829R	993
50	54	T-SLEP505429L	T-SLEP505429R	1,073
50	60	T-SLEP506029L	T-SLEP506029R	1,176
50	66	T-SLEP506629L	T-SLEP506629R	1,277
50	72	T-SLEP507229L	T-SLEP507229R	1,309
50	78	T-SLEP507829L	T-SLEP507829R	1,340
50	84	T-SLEP508429L	T-SLEP508429R	1,370
50	90	T-SLEP509029L	T-SLEP509029R	1,399



Left Hand Shown



Left Hand Shown

Specify

- Laminate with matching edge

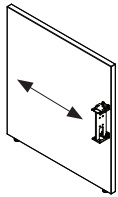
Notes

- Cannot be used freestanding, must be attached to a Beam.
- Encounter PowerBeam gallery panels are ordered specific to Beam height.
- Gallery panels add 1 1/8" between or at the end of Beam sections.
- Any gallery panel that extends more than 60" from the Beam must be tied to storage or similar support.
- Encounter PowerBench only compatible with 29"H.

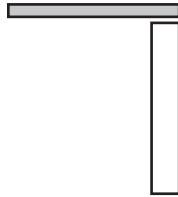
Laminate Gallery Panels – Beam Mount, Single End

29" BEAM MOUNT, HORIZONTAL GRAIN PATTERN – SINGLE END

H	W	Left	Right	List
		Model Number	Model Number	
58	24	T-SLEP582429L	T-SLEP582429R	779
58	30	T-SLEP583029L	T-SLEP583029R	854
58	36	T-SLEP583629L	T-SLEP583629R	921
58	42	T-SLEP584229L	T-SLEP584229R	992
58	48	T-SLEP584829L	T-SLEP584829R	1,047
58	54	T-SLEP585429L	T-SLEP585429R	1,102
58	60	T-SLEP586029L	T-SLEP586029R	1,201
58	66	T-SLEP586629L	T-SLEP586629R	1,300
58	72	T-SLEP587229L	T-SLEP587229R	1,398
58	78	T-SLEP587829L	T-SLEP587829R	1,496
58	84	T-SLEP588429L	T-SLEP588429R	1,594
58	90	T-SLEP589029L	T-SLEP589029R	1,693



Left Hand Shown



Left Hand Shown

Specify

- Laminate with matching edge

Notes

- Cannot be used freestanding, must be attached to a Beam.
- Encounter PowerBeam gallery panels are ordered specific to Beam height.
- Gallery panels add 1 1/8" between or at the end of Beam sections.
- Any gallery panel that extends more than 60" from the Beam must be tied to storage or similar support.
- Encounter PowerBench only compatible with 29"H.

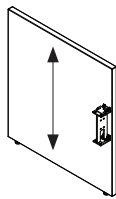
Laminate Gallery Panels – Beam Mount, Single End

21" BEAM MOUNT, VERTICAL GRAIN PATTERN – SINGLE END

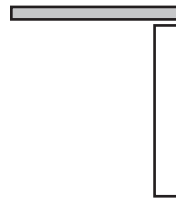
H	W	21" BEAM MOUNT, VERTICAL GRAIN PATTERN – SINGLE END		List
		Left	Right	
29	24	T-SLEP292421LV	T-SLEP292421RV	608
29	30	T-SLEP293021LV	T-SLEP293021RV	639
29	36	T-SLEP293621LV	T-SLEP293621RV	656
29	42	T-SLEP294221LV	T-SLEP294221RV	670
29	48	T-SLEP294821LV	T-SLEP294821RV	680
29	54	T-SLEP295421LV	T-SLEP295421RV	691
42	24	T-SLEP422421LV	T-SLEP422421RV	654
42	30	T-SLEP423021LV	T-SLEP423021RV	705
42	36	T-SLEP423621LV	T-SLEP423621RV	750
42	42	T-SLEP424221LV	T-SLEP424221RV	792
42	48	T-SLEP424821LV	T-SLEP424821RV	838
42	54	T-SLEP425421LV	T-SLEP425421RV	881

21" BEAM MOUNT, VERTICAL GRAIN PATTERN – SINGLE END

H	W	21" BEAM MOUNT, VERTICAL GRAIN PATTERN – SINGLE END		List
		Left	Right	
46	24	T-SLEP462421LV	T-SLEP462421RV	677
46	30	T-SLEP463021LV	T-SLEP463021RV	738
46	36	T-SLEP463621LV	T-SLEP463621RV	796
46	42	T-SLEP464221LV	T-SLEP464221RV	854
46	48	T-SLEP464821LV	T-SLEP464821RV	916
46	54	T-SLEP465421LV	T-SLEP465421RV	978
50	24	T-SLEP502421LV	T-SLEP502421RV	699
50	30	T-SLEP503021LV	T-SLEP503021RV	771
50	36	T-SLEP503621LV	T-SLEP503621RV	841
50	42	T-SLEP504221LV	T-SLEP504221RV	916
50	48	T-SLEP504821LV	T-SLEP504821RV	993
50	54	T-SLEP505421LV	T-SLEP505421RV	1,073



Left Hand Shown



Left Hand Shown

Specify

• Laminate with matching edge

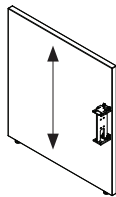
Notes

- Cannot be used freestanding, must be attached to a Beam.
- Encounter PowerBeam gallery panels are ordered specific to Beam height.
- Gallery panels add 1 1/8" between or at the end of Beam sections.
- Encounter PowerBench only compatible with 29"H.

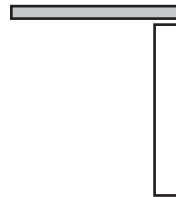
Laminate Gallery Panels – Beam Mount, Single End

25" BEAM MOUNT, VERTICAL GRAIN PATTERN – SINGLE END				
		Left	Right	
H	W	Model Number	Model Number	List
29	24	T-SLEP292425LV	T-SLEP292425RV	608
29	30	T-SLEP293025LV	T-SLEP293025RV	639
29	36	T-SLEP293625LV	T-SLEP293625RV	656
29	42	T-SLEP294225LV	T-SLEP294225RV	670
29	48	T-SLEP294825LV	T-SLEP294825RV	680
29	54	T-SLEP295425LV	T-SLEP295425RV	691
42	24	T-SLEP422425LV	T-SLEP422425RV	654
42	30	T-SLEP423025LV	T-SLEP423025RV	705
42	36	T-SLEP423625LV	T-SLEP423625RV	750
42	42	T-SLEP424225LV	T-SLEP424225RV	792
42	48	T-SLEP424825LV	T-SLEP424825RV	838
42	54	T-SLEP425425LV	T-SLEP425425RV	881
46	24	T-SLEP462425LV	T-SLEP462425RV	677
46	30	T-SLEP463025LV	T-SLEP463025RV	738
46	36	T-SLEP463625LV	T-SLEP463625RV	796
46	42	T-SLEP464225LV	T-SLEP464225RV	854
46	48	T-SLEP464825LV	T-SLEP464825RV	916
46	54	T-SLEP465425LV	T-SLEP465425RV	978

25" BEAM MOUNT, VERTICAL GRAIN PATTERN – SINGLE END				
		Left	Right	
H	W	Model Number	Model Number	List
50	24	T-SLEP502425LV	T-SLEP502425RV	699
50	30	T-SLEP503025LV	T-SLEP503025RV	771
50	36	T-SLEP503625LV	T-SLEP503625RV	841
50	42	T-SLEP504225LV	T-SLEP504225RV	916
50	48	T-SLEP504825LV	T-SLEP504825RV	993
50	54	T-SLEP505425LV	T-SLEP505425RV	1,073
58	24	T-SLEP582425LV	T-SLEP582425RV	779
58	30	T-SLEP583025LV	T-SLEP583025RV	854
58	36	T-SLEP583625LV	T-SLEP583625RV	921
58	42	T-SLEP584225LV	T-SLEP584225RV	992
58	48	T-SLEP584825LV	T-SLEP584825RV	1,047
58	54	T-SLEP585425LV	T-SLEP585425RV	1,102



Left Hand Shown



Left Hand Shown

Specify

- Laminate with matching edge

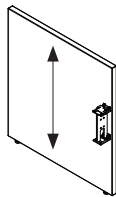
Notes

- Cannot be used freestanding, must be attached to a Beam.
- Encounter PowerBeam gallery panels are ordered specific to Beam height.
- Gallery panels add 1 1/8" between or at the end of Beam sections.
- Encounter PowerBench only compatible with 29"H.

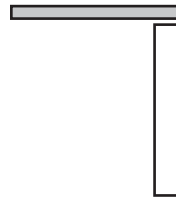
Laminate Gallery Panels – Beam Mount, Single End

29" BEAM MOUNT, VERTICAL GRAIN PATTERN – SINGLE END				
		Left	Right	
H	W	Model Number	Model Number	List
29	24	T-SLEP292429LV	T-SLEP292429RV	608
29	30	T-SLEP293029LV	T-SLEP293029RV	639
29	36	T-SLEP293629LV	T-SLEP293629RV	656
29	42	T-SLEP294229LV	T-SLEP294229RV	670
29	48	T-SLEP294829LV	T-SLEP294829RV	680
29	54	T-SLEP295429LV	T-SLEP295429RV	691
42	24	T-SLEP422429LV	T-SLEP422429RV	654
42	30	T-SLEP423029LV	T-SLEP423029RV	705
42	36	T-SLEP423629LV	T-SLEP423629RV	750
42	42	T-SLEP424229LV	T-SLEP424229RV	792
42	48	T-SLEP424829LV	T-SLEP424829RV	838
42	54	T-SLEP425429LV	T-SLEP425429RV	881
46	24	T-SLEP462429LV	T-SLEP462429RV	677
46	30	T-SLEP463029LV	T-SLEP463029RV	738
46	36	T-SLEP463629LV	T-SLEP463629RV	796
46	42	T-SLEP464229LV	T-SLEP464229RV	854
46	48	T-SLEP464829LV	T-SLEP464829RV	916
46	54	T-SLEP465429LV	T-SLEP465429RV	978

29" BEAM MOUNT, VERTICAL GRAIN PATTERN – SINGLE END				
		Left	Right	
H	W	Model Number	Model Number	List
50	24	T-SLEP502429LV	T-SLEP502429RV	699
50	30	T-SLEP503029LV	T-SLEP503029RV	771
50	36	T-SLEP503629LV	T-SLEP503629RV	841
50	42	T-SLEP504229LV	T-SLEP504229RV	916
50	48	T-SLEP504829LV	T-SLEP504829RV	993
50	54	T-SLEP505429LV	T-SLEP505429RV	1,073
58	24	T-SLEP582429LV	T-SLEP582429RV	779
58	30	T-SLEP583029LV	T-SLEP583029RV	854
58	36	T-SLEP583629LV	T-SLEP583629RV	921
58	42	T-SLEP584229LV	T-SLEP584229RV	992
58	48	T-SLEP584829LV	T-SLEP584829RV	1,047
58	54	T-SLEP585429LV	T-SLEP585429RV	1,102



Left Hand Shown



Left Hand Shown

Specify

- Laminate with matching edge

Notes

- Cannot be used freestanding, must be attached to a Beam.
- Encounter PowerBeam gallery panels are ordered specific to Beam height.
- Gallery panels add 1 1/8" between or at the end of Beam sections.
- Encounter PowerBench only compatible with 29"H.

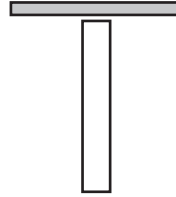
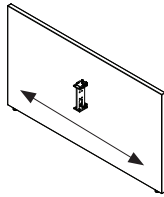
Laminate Gallery Panels – Beam Mount, Double End

21" BEAM MOUNT, HORIZONTAL GRAIN PATTERN – DOUBLE END

H	W	Model Number	List
29	48	T-SLEP294821	680
29	54	T-SLEP295421	691
29	60	T-SLEP296021	816
29	66	T-SLEP296621	858
29	72	T-SLEP297221	914
29	78	T-SLEP297821	968
29	84	T-SLEP298421	1,023
29	90	T-SLEP299021	1,078
42	48	T-SLEP424821	838
42	54	T-SLEP425421	881
42	60	T-SLEP426021	995
42	66	T-SLEP426621	1,070
42	72	T-SLEP427221	1,112
42	78	T-SLEP427821	1,154
42	84	T-SLEP428421	1,197
42	90	T-SLEP429021	1,240

21" BEAM MOUNT, HORIZONTAL GRAIN PATTERN – DOUBLE END

H	W	Model Number	List
46	48	T-SLEP464821	916
46	54	T-SLEP465421	978
46	60	T-SLEP466021	1,086
46	66	T-SLEP466621	1,173
46	72	T-SLEP467221	1,211
46	78	T-SLEP467821	1,247
46	84	T-SLEP468421	1,283
46	90	T-SLEP469021	1,319
50	48	T-SLEP504821	993
50	54	T-SLEP505421	1,073
50	60	T-SLEP506021	1,176
50	66	T-SLEP506621	1,277
50	72	T-SLEP507221	1,309
50	78	T-SLEP507821	1,340
50	84	T-SLEP508421	1,370
50	90	T-SLEP509021	1,399



Specify

- Laminate with matching edge

Notes

- Cannot be used freestanding, must be attached to a Beam.
- Encounter PowerBeam gallery panels are ordered specific to Beam height.
- Gallery panels add 1 1/8" between or at the end of Beam sections.
- Any gallery panel that extends more than 60" from the Beam must be tied to storage or similar support.
- Encounter PowerBench only compatible with 29"H.

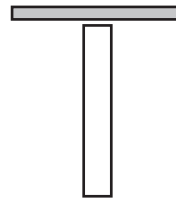
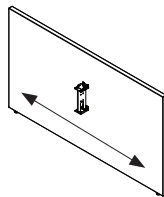
Laminate Gallery Panels – Beam Mount, Double End

25" BEAM MOUNT, HORIZONTAL GRAIN PATTERN – DOUBLE END

H	W	Model Number	List
29	48	T-SLEP294825	680
29	54	T-SLEP295425	691
29	60	T-SLEP296025	816
29	66	T-SLEP296625	858
29	72	T-SLEP297225	914
29	78	T-SLEP297825	968
29	84	T-SLEP298425	1,023
29	90	T-SLEP299025	1,078
42	48	T-SLEP424825	838
42	54	T-SLEP425425	881
42	60	T-SLEP426025	995
42	66	T-SLEP426625	1,070
42	72	T-SLEP427225	1,112
42	78	T-SLEP427825	1,154
42	84	T-SLEP428425	1,197
42	90	T-SLEP429025	1,240
46	48	T-SLEP464825	916
46	54	T-SLEP465425	978
46	60	T-SLEP466025	1,086
46	66	T-SLEP466625	1,173
46	72	T-SLEP467225	1,211
46	78	T-SLEP467825	1,247
46	84	T-SLEP468425	1,283
46	90	T-SLEP469025	1,319

25" BEAM MOUNT, HORIZONTAL GRAIN PATTERN – DOUBLE END

H	W	Model Number	List
50	48	T-SLEP504825	993
50	54	T-SLEP505425	1,073
50	60	T-SLEP506025	1,176
50	66	T-SLEP506625	1,277
50	72	T-SLEP507225	1,309
50	78	T-SLEP507825	1,340
50	84	T-SLEP508425	1,370
50	90	T-SLEP509025	1,399
58	48	T-SLEP584825	1,047
58	54	T-SLEP585425	1,102
58	60	T-SLEP586025	1,201
58	66	T-SLEP586625	1,300
58	72	T-SLEP587225	1,398
58	78	T-SLEP587825	1,496
58	84	T-SLEP588425	1,594
58	90	T-SLEP589025	1,693



Specify

- Laminate with matching edge

Notes

- Cannot be used freestanding, must be attached to a Beam.
- Encounter PowerBeam gallery panels are ordered specific to Beam height.
- Gallery panels add 1 1/8" between or at the end of Beam sections.
- Any gallery panel that extends more than 60" from the Beam must be tied to storage or similar support.
- Encounter PowerBench only compatible with 29"H.

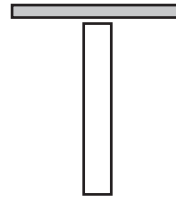
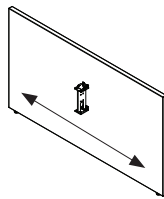
Laminate Gallery Panels – Beam Mount, Double End

29" BEAM MOUNT, HORIZONTAL GRAIN PATTERN – DOUBLE END

H	W	Model Number	List
29	48	T-SLEP294829	680
29	54	T-SLEP295429	691
29	60	T-SLEP296029	816
29	66	T-SLEP296629	858
29	72	T-SLEP297229	914
29	78	T-SLEP297829	968
29	84	T-SLEP298429	1,023
29	90	T-SLEP299029	1,078
42	48	T-SLEP424829	838
42	54	T-SLEP425429	881
42	60	T-SLEP426029	995
42	66	T-SLEP426629	1,070
42	72	T-SLEP427229	1,112
42	78	T-SLEP427829	1,154
42	84	T-SLEP428429	1,197
42	90	T-SLEP429029	1,240
46	48	T-SLEP464829	916
46	54	T-SLEP465429	978
46	60	T-SLEP466029	1,086
46	66	T-SLEP466629	1,173
46	72	T-SLEP467229	1,211
46	78	T-SLEP467829	1,247
46	84	T-SLEP468429	1,283
46	90	T-SLEP469029	1,319

29" BEAM MOUNT, HORIZONTAL GRAIN PATTERN – DOUBLE END

H	W	Model Number	List
50	48	T-SLEP504829	993
50	54	T-SLEP505429	1,073
50	60	T-SLEP506029	1,176
50	66	T-SLEP506629	1,277
50	72	T-SLEP507229	1,309
50	78	T-SLEP507829	1,340
50	84	T-SLEP508429	1,370
50	90	T-SLEP509029	1,399
58	48	T-SLEP584829	1,047
58	54	T-SLEP585429	1,102
58	60	T-SLEP586029	1,201
58	66	T-SLEP586629	1,300
58	72	T-SLEP587229	1,398
58	78	T-SLEP587829	1,496
58	84	T-SLEP588429	1,594
58	90	T-SLEP589029	1,693



Specify

- Laminate with matching edge

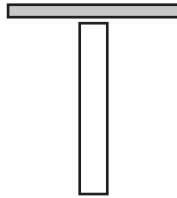
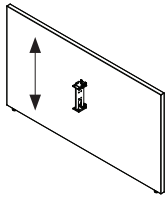
Notes

- Cannot be used freestanding, must be attached to a Beam.
- Encounter PowerBeam gallery panels are ordered specific to Beam height.
- Gallery panels add 1 1/8" between or at the end of Beam sections.
- Any gallery panel that extends more than 60" from the Beam must be tied to storage or similar support.
- Encounter PowerBench only compatible with 29"H.

Laminate Gallery Panels – Beam Mount, Double End

21" BEAM MOUNT, VERTICAL GRAIN PATTERN – DOUBLE END

H	W	Model Number	List
29	48	T-SLEP294821V	680
29	54	T-SLEP295421V	691
42	48	T-SLEP424821V	838
42	54	T-SLEP425421V	881
46	48	T-SLEP464821V	916
46	54	T-SLEP465421V	978
50	48	T-SLEP504821V	993
50	54	T-SLEP505421V	1,073



Specify

- Laminate with matching edge

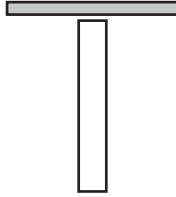
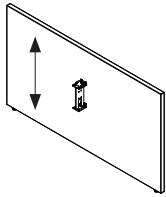
Notes

- Cannot be used freestanding, must be attached to a Beam.
- Encounter PowerBeam gallery panels are ordered specific to Beam height.
- Gallery panels add 1 1/8" between or at the end of Beam sections.
- Encounter PowerBench only compatible with 29"H.

Laminate Gallery Panels – Beam Mount, Double End

25" BEAM MOUNT, VERTICAL GRAIN PATTERN – DOUBLE END

H	W	Model Number	List
29	48	T-SLEP294825V	680
29	54	T-SLEP295425V	691
42	48	T-SLEP424825V	838
42	54	T-SLEP425425V	881
46	48	T-SLEP464825V	916
46	54	T-SLEP465425V	978
50	48	T-SLEP504825V	993
50	54	T-SLEP505425V	1,073
58	48	T-SLEP584825V	1,047
58	54	T-SLEP585425V	1,102



Specify

- Laminate with matching edge

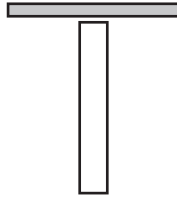
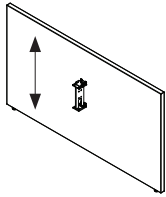
Notes

- Cannot be used freestanding, must be attached to a Beam.
- Encounter PowerBeam gallery panels are ordered specific to Beam height.
- Gallery panels add 1 1/8" between or at the end of Beam sections.
- Encounter PowerBench only compatible with 29"H.

Laminate Gallery Panels – Beam Mount, Double End

29" BEAM MOUNT, VERTICAL GRAIN PATTERN – DOUBLE END

H	W	Model Number	List
29	48	T-SLEP294829V	680
29	54	T-SLEP295429V	691
42	48	T-SLEP424829V	838
42	54	T-SLEP425429V	881
46	48	T-SLEP464829V	916
46	54	T-SLEP465429V	978
50	48	T-SLEP504829V	993
50	54	T-SLEP505429V	1,073
58	48	T-SLEP584829V	1,047
58	54	T-SLEP585429V	1,102



Specify

- Laminate with matching edge

Notes

- Cannot be used freestanding, must be attached to a Beam.
- Encounter PowerBeam gallery panels are ordered specific to Beam height.
- Gallery panels add 1 1/8" between or at the end of Beam sections.
- Encounter PowerBench only compatible with 29"H.

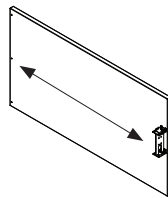
Laminate Gallery Panels – Beam Mount for Wing, Single End

21" BEAM MOUNT FOR WING, HORIZONTAL GRAIN PATTERN – SINGLE END

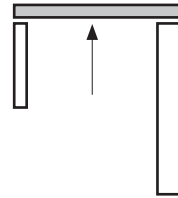
H	W	Left	Right	List
		Model Number	Model Number	
29	48	T-SLPW294821L	T-SLPW294821R	714
29	54	T-SLPW295421L	T-SLPW295421R	724
29	60	T-SLPW296021L	T-SLPW296021R	851
29	66	T-SLPW296621L	T-SLPW296621R	892
29	72	T-SLPW297221L	T-SLPW297221R	948
29	78	T-SLPW297821L	T-SLPW297821R	1,004
29	84	T-SLPW298421L	T-SLPW298421R	1,059
29	90	T-SLPW299021L	T-SLPW299021R	1,114
42	48	T-SLPW424821L	T-SLPW424821R	873
42	54	T-SLPW425421L	T-SLPW425421R	915
42	60	T-SLPW426021L	T-SLPW426021R	1,030
42	66	T-SLPW426621L	T-SLPW426621R	1,102
42	72	T-SLPW427221L	T-SLPW427221R	1,145
42	78	T-SLPW427821L	T-SLPW427821R	1,188
42	84	T-SLPW428421L	T-SLPW428421R	1,231
42	90	T-SLPW429021L	T-SLPW429021R	1,274

21" BEAM MOUNT FOR WING, HORIZONTAL GRAIN PATTERN – SINGLE END

H	W	Left	Right	List
		Model Number	Model Number	
46	48	T-SLPW464821L	T-SLPW464821R	950
46	54	T-SLPW465421L	T-SLPW465421R	1,011
46	60	T-SLPW466021L	T-SLPW466021R	1,120
46	66	T-SLPW466621L	T-SLPW466621R	1,207
46	72	T-SLPW467221L	T-SLPW467221R	1,244
46	78	T-SLPW467821L	T-SLPW467821R	1,281
46	84	T-SLPW468421L	T-SLPW468421R	1,317
46	90	T-SLPW469021L	T-SLPW469021R	1,354
50	48	T-SLPW504821L	T-SLPW504821R	1,029
50	54	T-SLPW505421L	T-SLPW505421R	1,108
50	60	T-SLPW506021L	T-SLPW506021R	1,211
50	66	T-SLPW506621L	T-SLPW506621R	1,312
50	72	T-SLPW507221L	T-SLPW507221R	1,344
50	78	T-SLPW507821L	T-SLPW507821R	1,373
50	84	T-SLPW508421L	T-SLPW508421R	1,403
50	90	T-SLPW509021L	T-SLPW509021R	1,432



Left Hand Shown



Left Hand Shown

Specify

- Laminate with matching edge

Notes

- Cannot be used freestanding, must be attached to a Beam.
- Encounter PowerBeam gallery panels are ordered specific to Beam height.
- Gallery panels add 1 1/8" between or at the end of Beam sections.
- Any gallery panel that extends more than 60" from the Beam must be tied to storage or similar support.
- Encounter PowerBench only compatible with 29"H.

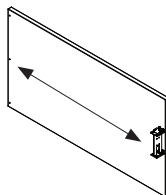
Laminate Gallery Panels – Beam Mount for Wing, Single End

25" BEAM MOUNT FOR WING, HORIZONTAL GRAIN PATTERN – SINGLE END

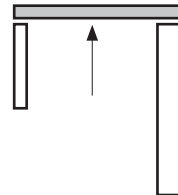
H	W	Left	Right	List
		Model Number	Model Number	
29	48	T-SLPW294825L	T-SLPW294825R	714
29	54	T-SLPW295425L	T-SLPW295425R	724
29	60	T-SLPW296025L	T-SLPW296025R	851
29	66	T-SLPW296625L	T-SLPW296625R	892
29	72	T-SLPW297225L	T-SLPW297225R	948
29	78	T-SLPW297825L	T-SLPW297825R	1,004
29	84	T-SLPW298425L	T-SLPW298425R	1,059
29	90	T-SLPW299025L	T-SLPW299025R	1,114
42	48	T-SLPW424825L	T-SLPW424825R	873
42	54	T-SLPW425425L	T-SLPW425425R	915
42	60	T-SLPW426025L	T-SLPW426025R	1,030
42	66	T-SLPW426625L	T-SLPW426625R	1,102
42	72	T-SLPW427225L	T-SLPW427225R	1,145
42	78	T-SLPW427825L	T-SLPW427825R	1,188
42	84	T-SLPW428425L	T-SLPW428425R	1,231
42	90	T-SLPW429025L	T-SLPW429025R	1,274
46	48	T-SLPW464825L	T-SLPW464825R	950
46	54	T-SLPW465425L	T-SLPW465425R	1,011
46	60	T-SLPW466025L	T-SLPW466025R	1,120
46	66	T-SLPW466625L	T-SLPW466625R	1,207
46	72	T-SLPW467225L	T-SLPW467225R	1,244
46	78	T-SLPW467825L	T-SLPW467825R	1,281
46	84	T-SLPW468425L	T-SLPW468425R	1,317
46	90	T-SLPW469025L	T-SLPW469025R	1,354

25" BEAM MOUNT FOR WING, HORIZONTAL GRAIN PATTERN – SINGLE END

H	W	Left	Right	List
		Model Number	Model Number	
50	48	T-SLPW504825L	T-SLPW504825R	1,029
50	54	T-SLPW505425L	T-SLPW505425R	1,108
50	60	T-SLPW506025L	T-SLPW506025R	1,211
50	66	T-SLPW506625L	T-SLPW506625R	1,312
50	72	T-SLPW507225L	T-SLPW507225R	1,344
50	78	T-SLPW507825L	T-SLPW507825R	1,373
50	84	T-SLPW508425L	T-SLPW508425R	1,403
50	90	T-SLPW509025L	T-SLPW509025R	1,432
58	48	T-SLPW584825L	T-SLPW584825R	1,083
58	54	T-SLPW585425L	T-SLPW585425R	1,137
58	60	T-SLPW586025L	T-SLPW586025R	1,236
58	66	T-SLPW586625L	T-SLPW586625R	1,333
58	72	T-SLPW587225L	T-SLPW587225R	1,431
58	78	T-SLPW587825L	T-SLPW587825R	1,530
58	84	T-SLPW588425L	T-SLPW588425R	1,629
58	90	T-SLPW589025L	T-SLPW589025R	1,726



Left Hand Shown



Left Hand Shown

Specify

- Laminate with matching edge

Notes

- Cannot be used freestanding, must be attached to a Beam.
- Encounter PowerBeam gallery panels are ordered specific to Beam height.
- Gallery panels add 1 1/8" between or at the end of Beam sections.
- Any gallery panel that extends more than 60" from the Beam must be tied to storage or similar support.
- Encounter PowerBench only compatible with 29"H.

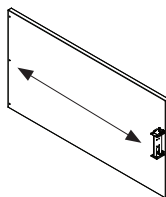
Laminate Gallery Panels – Beam Mount for Wing, Single End

29” BEAM MOUNT FOR WING, HORIZONTAL GRAIN PATTERN – SINGLE END

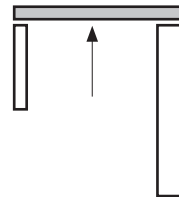
H	W	Left	Right	List
		Model Number	Model Number	
29	48	T-SLPW294829L	T-SLPW294829R	714
29	54	T-SLPW295429L	T-SLPW295429R	724
29	60	T-SLPW296029L	T-SLPW296029R	851
29	66	T-SLPW296629L	T-SLPW296629R	892
29	72	T-SLPW297229L	T-SLPW297229R	948
29	78	T-SLPW297829L	T-SLPW297829R	1,004
29	84	T-SLPW298429L	T-SLPW298429R	1,059
29	90	T-SLPW299029L	T-SLPW299029R	1,114
42	48	T-SLPW424829L	T-SLPW424829R	873
42	54	T-SLPW425429L	T-SLPW425429R	915
42	60	T-SLPW426029L	T-SLPW426029R	1,030
42	66	T-SLPW426629L	T-SLPW426629R	1,102
42	72	T-SLPW427229L	T-SLPW427229R	1,145
42	78	T-SLPW427829L	T-SLPW427829R	1,188
42	84	T-SLPW428429L	T-SLPW428429R	1,231
42	90	T-SLPW429029L	T-SLPW429029R	1,274
46	48	T-SLPW464829L	T-SLPW464829R	950
46	54	T-SLPW465429L	T-SLPW465429R	1,011
46	60	T-SLPW466029L	T-SLPW466029R	1,120
46	66	T-SLPW466629L	T-SLPW466629R	1,207
46	72	T-SLPW467229L	T-SLPW467229R	1,244
46	78	T-SLPW467829L	T-SLPW467829R	1,281
46	84	T-SLPW468429L	T-SLPW468429R	1,317
46	90	T-SLPW469029L	T-SLPW469029R	1,354

29” BEAM MOUNT FOR WING, HORIZONTAL GRAIN PATTERN – SINGLE END

H	W	Left	Right	List
		Model Number	Model Number	
50	48	T-SLPW504829L	T-SLPW504829R	1,029
50	54	T-SLPW505429L	T-SLPW505429R	1,108
50	60	T-SLPW506029L	T-SLPW506029R	1,211
50	66	T-SLPW506629L	T-SLPW506629R	1,312
50	72	T-SLPW507229L	T-SLPW507229R	1,344
50	78	T-SLPW507829L	T-SLPW507829R	1,373
50	84	T-SLPW508429L	T-SLPW508429R	1,403
50	90	T-SLPW509029L	T-SLPW509029R	1,432
58	48	T-SLPW584829L	T-SLPW584829R	1,083
58	54	T-SLPW585429L	T-SLPW585429R	1,137
58	60	T-SLPW586029L	T-SLPW586029R	1,236
58	66	T-SLPW586629L	T-SLPW586629R	1,333
58	72	T-SLPW587229L	T-SLPW587229R	1,431
58	78	T-SLPW587829L	T-SLPW587829R	1,530
58	84	T-SLPW588429L	T-SLPW588429R	1,629
58	90	T-SLPW589029L	T-SLPW589029R	1,726



Left Hand Shown



Left Hand Shown

Specify

- Laminate with matching edge

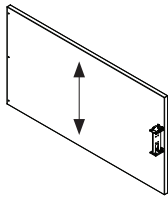
Notes

- Cannot be used freestanding, must be attached to a Beam.
- Encounter PowerBeam gallery panels are ordered specific to Beam height.
- Gallery panels add 1 1/8” between or at the end of Beam sections.
- Any gallery panel that extends more than 60” from the Beam must be tied to storage or similar support.
- Encounter PowerBench only compatible with 29”H.

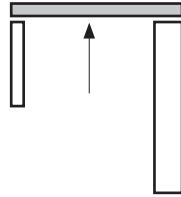
Laminate Gallery Panels – Beam Mount for Wing, Single End

21" BEAM MOUNT FOR WING, VERTICAL GRAIN PATTERN – SINGLE END

H	W	Left	Right	List
		Model Number	Model Number	
29	48	T-SLPW294821LV	T-SLPW294821RV	714
29	54	T-SLPW295421LV	T-SLPW295421RV	724
42	48	T-SLPW424821LV	T-SLPW424821RV	873
42	54	T-SLPW425421LV	T-SLPW425421RV	915
46	48	T-SLPW464821LV	T-SLPW464821RV	950
46	54	T-SLPW465421LV	T-SLPW465421RV	1,011
50	48	T-SLPW504821LV	T-SLPW504821RV	1,029
50	54	T-SLPW505421LV	T-SLPW505421RV	1,108



Left Hand Shown



Left Hand Shown

Specify

- Laminate with matching edge

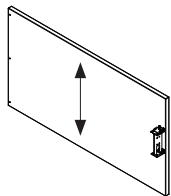
Notes

- Cannot be used freestanding, must be attached to a Beam.
- Encounter PowerBeam gallery panels are ordered specific to Beam height.
- Gallery panels add 1 1/8" between or at the end of Beam sections.
- Encounter PowerBench only compatible with 29"H.

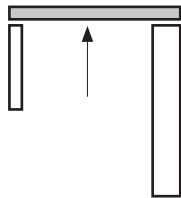
Laminate Gallery Panels – Beam Mount for Wing, Single End

25" BEAM MOUNT FOR WING, VERTICAL GRAIN PATTERN – SINGLE END

H	W	Left	Right	List
		Model Number	Model Number	
29	48	T-SLPW294825LV	T-SLPW294825RV	714
29	54	T-SLPW295425LV	T-SLPW295425RV	724
42	48	T-SLPW424825LV	T-SLPW424825RV	873
42	54	T-SLPW425425LV	T-SLPW425425RV	915
46	48	T-SLPW464825LV	T-SLPW464825RV	950
46	54	T-SLPW465425LV	T-SLPW465425RV	1,011
50	48	T-SLPW504825LV	T-SLPW504825RV	1,029
50	54	T-SLPW505425LV	T-SLPW505425RV	1,108
58	48	T-SLPW584825LV	T-SLPW584825RV	1,083
58	54	T-SLPW585425LV	T-SLPW585425RV	1,137



Left Hand Shown



Left Hand Shown

Specify

- Laminate with matching edge

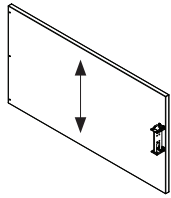
Notes

- Cannot be used freestanding, must be attached to a Beam.
- Encounter PowerBeam gallery panels are ordered specific to Beam height.
- Gallery panels add 1 1/8" between or at the end of Beam sections.
- Encounter PowerBench only compatible with 29"H.

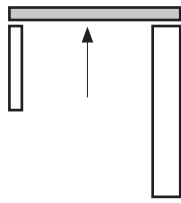
Laminate Gallery Panels – Beam Mount for Wing, Single End

29" BEAM MOUNT FOR WING, VERTICAL GRAIN PATTERN – SINGLE END

H	W	Left	Right	List
		Model Number	Model Number	
29	48	T-SLPW294829LV	T-SLPW294829RV	714
29	54	T-SLPW295429LV	T-SLPW295429RV	724
42	48	T-SLPW424829LV	T-SLPW424829RV	873
42	54	T-SLPW425429LV	T-SLPW425429RV	915
46	48	T-SLPW464829LV	T-SLPW464829RV	950
46	54	T-SLPW465429LV	T-SLPW465429RV	1,011
50	48	T-SLPW504829LV	T-SLPW504829RV	1,029
50	54	T-SLPW505429LV	T-SLPW505429RV	1,108
58	48	T-SLPW584829LV	T-SLPW584829RV	1,083
58	54	T-SLPW585429LV	T-SLPW585429RV	1,137



Left Hand Shown



Left Hand Shown

Specify

- Laminate with matching edge

Notes

- Cannot be used freestanding, must be attached to a Beam.
- Encounter PowerBeam gallery panels are ordered specific to Beam height.
- Gallery panels add 1 1/8" between or at the end of Beam sections.
- Encounter PowerBench only compatible with 29"H.

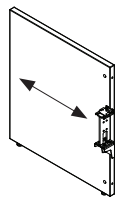
Laminate Gallery Panels – Mid Mount End

21" MID MOUNT END, HORIZONTAL GRAIN PATTERN

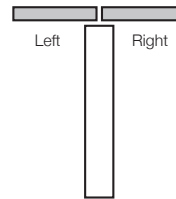
H	W	Left	Right	List
		Model Number	Model Number	
29	24	T-SLM292421L	T-SLM292421R	608
29	30	T-SLM293021L	T-SLM293021R	639
29	36	T-SLM293621L	T-SLM293621R	656
29	42	T-SLM294221L	T-SLM294221R	670
29	48	T-SLM294821L	T-SLM294821R	680
29	54	T-SLM295421L	T-SLM295421R	691
29	60	T-SLM296021L	T-SLM296021R	816
29	66	T-SLM296621L	T-SLM296621R	858
29	72	T-SLM297221L	T-SLM297221R	914
29	78	T-SLM297821L	T-SLM297821R	968
29	84	T-SLM298421L	T-SLM298421R	1,023
29	90	T-SLM299021L	T-SLM299021R	1,078
42	24	T-SLM422421L	T-SLM422421R	654
42	30	T-SLM423021L	T-SLM423021R	705
42	36	T-SLM423621L	T-SLM423621R	750
42	42	T-SLM424221L	T-SLM424221R	792
42	48	T-SLM424821L	T-SLM424821R	838
42	54	T-SLM425421L	T-SLM425421R	881
42	60	T-SLM426021L	T-SLM426021R	995
42	66	T-SLM426621L	T-SLM426621R	1,070
42	72	T-SLM427221L	T-SLM427221R	1,112
42	78	T-SLM427821L	T-SLM427821R	1,154
42	84	T-SLM428421L	T-SLM428421R	1,197
42	90	T-SLM429021L	T-SLM429021R	1,240

21" MID MOUNT END, HORIZONTAL GRAIN PATTERN

H	W	Left	Right	List
		Model Number	Model Number	
46	24	T-SLM462421L	T-SLM462421R	653
46	30	T-SLM463021L	T-SLM463021R	705
46	36	T-SLM463621L	T-SLM463621R	750
46	42	T-SLM464221L	T-SLM464221R	794
46	48	T-SLM464821L	T-SLM464821R	837
46	54	T-SLM465421L	T-SLM465421R	881
46	60	T-SLM466021L	T-SLM466021R	996
46	66	T-SLM466621L	T-SLM466621R	1,067
46	72	T-SLM467221L	T-SLM467221R	1,146
46	78	T-SLM467821L	T-SLM467821R	1,225
46	84	T-SLM468421L	T-SLM468421R	1,302
46	90	T-SLM469021L	T-SLM469021R	1,381
50	24	T-SLM502421L	T-SLM502421R	699
50	30	T-SLM503021L	T-SLM503021R	771
50	36	T-SLM503621L	T-SLM503621R	841
50	42	T-SLM504221L	T-SLM504221R	916
50	48	T-SLM504821L	T-SLM504821R	993
50	54	T-SLM505421L	T-SLM505421R	1,073
50	60	T-SLM506021L	T-SLM506021R	1,176
50	66	T-SLM506621L	T-SLM506621R	1,277
50	72	T-SLM507221L	T-SLM507221R	1,380
50	78	T-SLM507821L	T-SLM507821R	1,481
50	84	T-SLM508421L	T-SLM508421R	1,582
50	90	T-SLM509021L	T-SLM509021R	1,683



Left Hand Shown



Specify

- Select paint
- Laminate with matching edge

Notes

- Cannot be used freestanding, must be attached to a Beam.
- Encounter PowerBeam gallery panels are ordered specific to Beam height.
- Gallery panels add 1 1/8" between or at the end of Beam sections.
- Any gallery panel that extends more than 60" from the Beam must be tied to storage or similar support.
- Encounter PowerBench only compatible with 29"H.
- Mid mounts are not compatible with PowerBench.

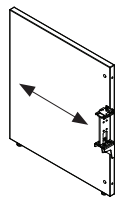
Laminate Gallery Panels – Mid Mount End

25" MID MOUNT END, HORIZONTAL GRAIN PATTERN

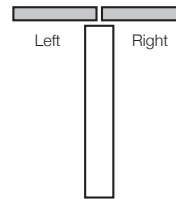
H	W	Left	Right	List
		Model Number	Model Number	
29	24	T-SLM292425L	T-SLM292425R	608
29	30	T-SLM293025L	T-SLM293025R	639
29	36	T-SLM293625L	T-SLM293625R	656
29	42	T-SLM294225L	T-SLM294225R	670
29	48	T-SLM294825L	T-SLM294825R	680
29	54	T-SLM295425L	T-SLM295425R	691
29	60	T-SLM296025L	T-SLM296025R	816
29	66	T-SLM296625L	T-SLM296625R	858
29	72	T-SLM297225L	T-SLM297225R	914
29	78	T-SLM297825L	T-SLM297825R	968
29	84	T-SLM298425L	T-SLM298425R	1,023
29	90	T-SLM299025L	T-SLM299025R	1,078
42	24	T-SLM422425L	T-SLM422425R	654
42	30	T-SLM423025L	T-SLM423025R	705
42	36	T-SLM423625L	T-SLM423625R	750
42	42	T-SLM424225L	T-SLM424225R	792
42	48	T-SLM424825L	T-SLM424825R	838
42	54	T-SLM425425L	T-SLM425425R	881
42	60	T-SLM426025L	T-SLM426025R	995
42	66	T-SLM426625L	T-SLM426625R	1,070
42	72	T-SLM427225L	T-SLM427225R	1,112
42	78	T-SLM427825L	T-SLM427825R	1,154
42	84	T-SLM428425L	T-SLM428425R	1,197
42	90	T-SLM429025L	T-SLM429025R	1,240

25" MID MOUNT END, HORIZONTAL GRAIN PATTERN

H	W	Left	Right	List
		Model Number	Model Number	
46	24	T-SLM462425L	T-SLM462425R	653
46	30	T-SLM463025L	T-SLM463025R	705
46	36	T-SLM463625L	T-SLM463625R	750
46	42	T-SLM464225L	T-SLM464225R	794
46	48	T-SLM464825L	T-SLM464825R	837
46	54	T-SLM465425L	T-SLM465425R	881
46	60	T-SLM466025L	T-SLM466025R	996
46	66	T-SLM466625L	T-SLM466625R	1,067
46	72	T-SLM467225L	T-SLM467225R	1,146
46	78	T-SLM467825L	T-SLM467825R	1,225
46	84	T-SLM468425L	T-SLM468425R	1,302
46	90	T-SLM469025L	T-SLM469025R	1,381
50	24	T-SLM502425L	T-SLM502425R	699
50	30	T-SLM503025L	T-SLM503025R	771
50	36	T-SLM503625L	T-SLM503625R	841
50	42	T-SLM504225L	T-SLM504225R	916
50	48	T-SLM504825L	T-SLM504825R	993
50	54	T-SLM505425L	T-SLM505425R	1,073
50	60	T-SLM506025L	T-SLM506025R	1,176
50	66	T-SLM506625L	T-SLM506625R	1,277
50	72	T-SLM507225L	T-SLM507225R	1,380
50	78	T-SLM507825L	T-SLM507825R	1,481
50	84	T-SLM508425L	T-SLM508425R	1,582
50	90	T-SLM509025L	T-SLM509025R	1,683



Left Hand Shown



Specify

- Select paint
- Laminate with matching edge

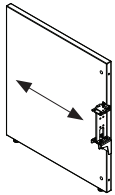
Notes

- Cannot be used freestanding, must be attached to a Beam.
- Encounter PowerBeam gallery panels are ordered specific to Beam height.
- Gallery panels add 1 1/8" between or at the end of Beam sections.
- Any gallery panel that extends more than 60" from the Beam must be tied to storage or similar support.
- Encounter PowerBench only compatible with 29"H.
- Mid mounts are not compatible with PowerBench.

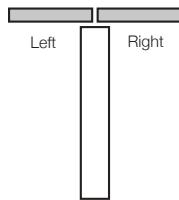
Laminate Gallery Panels – Mid Mount End

25" MID MOUNT END, HORIZONTAL GRAIN PATTERN

H	W	Left	Right	List
		Model Number	Model Number	
58	24	T-SLM582425L	T-SLM582425R	779
58	30	T-SLM583025L	T-SLM583025R	854
58	36	T-SLM583625L	T-SLM583625R	921
58	42	T-SLM584225L	T-SLM584225R	992
58	48	T-SLM584825L	T-SLM584825R	1,047
58	54	T-SLM585425L	T-SLM585425R	1,102
58	60	T-SLM586025L	T-SLM586025R	1,201
58	66	T-SLM586625L	T-SLM586625R	1,300
58	72	T-SLM587225L	T-SLM587225R	1,399
58	78	T-SLM587825L	T-SLM587825R	1,498
58	84	T-SLM588425L	T-SLM588425R	1,596
58	90	T-SLM589025L	T-SLM589025R	1,695



Left Hand Shown



Specify

- Select paint
- Laminate with matching edge

Notes

- Cannot be used freestanding, must be attached to a Beam.
- Encounter PowerBeam gallery panels are ordered specific to Beam height.
- Gallery panels add 1 1/8" between or at the end of Beam sections.
- Any gallery panel that extends more than 60" from the Beam must be tied to storage or similar support.
- Encounter PowerBench only compatible with 29"H.
- Mid mounts are not compatible with PowerBench.

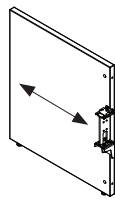
Laminate Gallery Panels – Mid Mount End

29" MID MOUNT END, HORIZONTAL GRAIN PATTERN

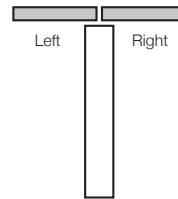
H	W	Left	Right	List
		Model Number	Model Number	
29	24	T-SLM292429L	T-SLM292429R	608
29	30	T-SLM293029L	T-SLM293029R	639
29	36	T-SLM293629L	T-SLM293629R	656
29	42	T-SLM294229L	T-SLM294229R	670
29	48	T-SLM294829L	T-SLM294829R	680
29	54	T-SLM295429L	T-SLM295429R	691
29	60	T-SLM296029L	T-SLM296029R	816
29	66	T-SLM296629L	T-SLM296629R	858
29	72	T-SLM297229L	T-SLM297229R	914
29	78	T-SLM297829L	T-SLM297829R	968
29	84	T-SLM298429L	T-SLM298429R	1,023
29	90	T-SLM299029L	T-SLM299029R	1,078
42	24	T-SLM422429L	T-SLM422429R	654
42	30	T-SLM423029L	T-SLM423029R	705
42	36	T-SLM423629L	T-SLM423629R	750
42	42	T-SLM424229L	T-SLM424229R	792
42	48	T-SLM424829L	T-SLM424829R	838
42	54	T-SLM425429L	T-SLM425429R	881
42	60	T-SLM426029L	T-SLM426029R	995
42	66	T-SLM426629L	T-SLM426629R	1,070
42	72	T-SLM427229L	T-SLM427229R	1,112
42	78	T-SLM427829L	T-SLM427829R	1,154
42	84	T-SLM428429L	T-SLM428429R	1,197
42	90	T-SLM429029L	T-SLM429029R	1,240

29" MID MOUNT END, HORIZONTAL GRAIN PATTERN

H	W	Left	Right	List
		Model Number	Model Number	
46	24	T-SLM462429L	T-SLM462429R	653
46	30	T-SLM463029L	T-SLM463029R	705
46	36	T-SLM463629L	T-SLM463629R	750
46	42	T-SLM464229L	T-SLM464229R	794
46	48	T-SLM464829L	T-SLM464829R	837
46	54	T-SLM465429L	T-SLM465429R	881
46	60	T-SLM466029L	T-SLM466029R	996
46	66	T-SLM466629L	T-SLM466629R	1,067
46	72	T-SLM467229L	T-SLM467229R	1,146
46	78	T-SLM467829L	T-SLM467829R	1,225
46	84	T-SLM468429L	T-SLM468429R	1,302
46	90	T-SLM469029L	T-SLM469029R	1,381
50	24	T-SLM502429L	T-SLM502429R	699
50	30	T-SLM503029L	T-SLM503029R	771
50	36	T-SLM503629L	T-SLM503629R	841
50	42	T-SLM504229L	T-SLM504229R	916
50	48	T-SLM504829L	T-SLM504829R	993
50	54	T-SLM505429L	T-SLM505429R	1,073
50	60	T-SLM506029L	T-SLM506029R	1,176
50	66	T-SLM506629L	T-SLM506629R	1,277
50	72	T-SLM507229L	T-SLM507229R	1,380
50	78	T-SLM507829L	T-SLM507829R	1,481
50	84	T-SLM508429L	T-SLM508429R	1,582
50	90	T-SLM509029L	T-SLM509029R	1,683



Left Hand Shown



Specify

- Select paint
- Laminate with matching edge

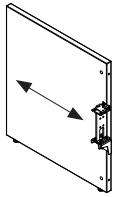
Notes

- Cannot be used freestanding, must be attached to a Beam.
- Encounter PowerBeam gallery panels are ordered specific to Beam height.
- Gallery panels add 1 1/8" between or at the end of Beam sections.
- Any gallery panel that extends more than 60" from the Beam must be tied to storage or similar support.
- Encounter PowerBench only compatible with 29"H.
- Mid mounts are not compatible with PowerBench.

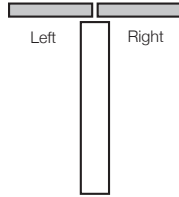
Laminate Gallery Panels – Mid Mount End

29" MID MOUNT END, HORIZONTAL GRAIN PATTERN

H	W	Left	Right	List
		Model Number	Model Number	
58	24	T-SLM582429L	T-SLM582429R	779
58	30	T-SLM583029L	T-SLM583029R	854
58	36	T-SLM583629L	T-SLM583629R	921
58	42	T-SLM584229L	T-SLM584229R	992
58	48	T-SLM584829L	T-SLM584829R	1,047
58	54	T-SLM585429L	T-SLM585429R	1,102
58	60	T-SLM586029L	T-SLM586029R	1,201
58	66	T-SLM586629L	T-SLM586629R	1,300
58	72	T-SLM587229L	T-SLM587229R	1,399
58	78	T-SLM587829L	T-SLM587829R	1,498
58	84	T-SLM588429L	T-SLM588429R	1,596
58	90	T-SLM589029L	T-SLM589029R	1,695



Left Hand Shown



Specify

- Select paint
- Laminate with matching edge

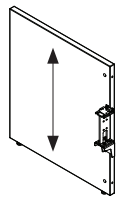
Notes

- Cannot be used freestanding, must be attached to a Beam.
- Encounter PowerBeam gallery panels are ordered specific to Beam height.
- Gallery panels add 1 1/8" between or at the end of Beam sections.
- Any gallery panel that extends more than 60" from the Beam must be tied to storage or similar support.
- Encounter PowerBench only compatible with 29"H.
- Mid mounts are not compatible with PowerBench.

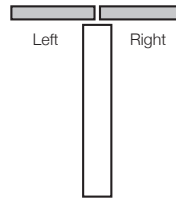
Laminate Gallery Panels – Mid Mount End

21" MID MOUNT END, VERTICAL GRAIN PATTERN				
		Left	Right	
H	W	Model Number	Model Number	List
29	24	T-SLM292421LV	T-SLM292421RV	608
29	30	T-SLM293021LV	T-SLM293021RV	639
29	36	T-SLM293621LV	T-SLM293621RV	656
29	42	T-SLM294221LV	T-SLM294221RV	670
29	48	T-SLM294821LV	T-SLM294821RV	680
29	54	T-SLM295421LV	T-SLM295421RV	691
42	24	T-SLM422421LV	T-SLM422421RV	654
42	30	T-SLM423021LV	T-SLM423021RV	705
42	36	T-SLM423621LV	T-SLM423621RV	750
42	42	T-SLM424221LV	T-SLM424221RV	792
42	48	T-SLM424821LV	T-SLM424821RV	838
42	54	T-SLM425421LV	T-SLM425421RV	881

21" MID MOUNT END, VERTICAL GRAIN PATTERN				
		Left	Right	
H	W	Model Number	Model Number	List
46	24	T-SLM462421LV	T-SLM462421RV	677
46	30	T-SLM463021LV	T-SLM463021RV	738
46	36	T-SLM463621LV	T-SLM463621RV	796
46	42	T-SLM464221LV	T-SLM464221RV	854
46	48	T-SLM464821LV	T-SLM464821RV	916
46	54	T-SLM465421LV	T-SLM465421RV	978
50	24	T-SLM502421LV	T-SLM502421RV	699
50	30	T-SLM503021LV	T-SLM503021RV	771
50	36	T-SLM503621LV	T-SLM503621RV	841
50	42	T-SLM504221LV	T-SLM504221RV	916
50	48	T-SLM504821LV	T-SLM504821RV	993
50	54	T-SLM505421LV	T-SLM505421RV	1,073



Left Hand Shown



Specify

- Select paint
- Laminate with matching edge

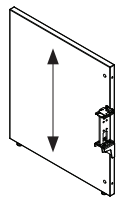
Notes

- Cannot be used freestanding, must be attached to a Beam.
- Encounter PowerBeam gallery panels are ordered specific to Beam height.
- Gallery panels add 1 1/8" between or at the end of Beam sections.
- Encounter PowerBench only compatible with 29"H.
- Mid mounts are not compatible with PowerBench.

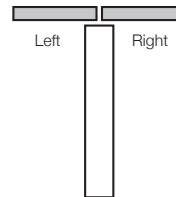
Laminate Gallery Panels – Mid Mount End

25" MID MOUNT END, VERTICAL GRAIN PATTERN				
		Left	Right	
H	W	Model Number	Model Number	List
29	24	T-SLM292425LV	T-SLM292425RV	608
29	30	T-SLM293025LV	T-SLM293025RV	639
29	36	T-SLM293625LV	T-SLM293625RV	656
29	42	T-SLM294225LV	T-SLM294225RV	670
29	48	T-SLM294825LV	T-SLM294825RV	680
29	54	T-SLM295425LV	T-SLM295425RV	691
42	24	T-SLM422425LV	T-SLM422425RV	654
42	30	T-SLM423025LV	T-SLM423025RV	705
42	36	T-SLM423625LV	T-SLM423625RV	750
42	42	T-SLM424225LV	T-SLM424225RV	792
42	48	T-SLM424825LV	T-SLM424825RV	838
42	54	T-SLM425425LV	T-SLM425425RV	881
46	24	T-SLM462425LV	T-SLM462425RV	677
46	30	T-SLM463025LV	T-SLM463025RV	738
46	36	T-SLM463625LV	T-SLM463625RV	796
46	42	T-SLM464225LV	T-SLM464225RV	854
46	48	T-SLM464825LV	T-SLM464825RV	916
46	54	T-SLM465425LV	T-SLM465425RV	978

25" MID MOUNT END, VERTICAL GRAIN PATTERN				
		Left	Right	
H	W	Model Number	Model Number	List
50	24	T-SLM502425LV	T-SLM502425RV	699
50	30	T-SLM503025LV	T-SLM503025RV	771
50	36	T-SLM503625LV	T-SLM503625RV	841
50	42	T-SLM504225LV	T-SLM504225RV	916
50	48	T-SLM504825LV	T-SLM504825RV	993
50	54	T-SLM505425LV	T-SLM505425RV	1,073
58	24	T-SLM582425LV	T-SLM582425RV	779
58	30	T-SLM583025LV	T-SLM583025RV	854
58	36	T-SLM583625LV	T-SLM583625RV	921
58	42	T-SLM584225LV	T-SLM584225RV	992
58	48	T-SLM584825LV	T-SLM584825RV	1,047
58	54	T-SLM585425LV	T-SLM585425RV	1,102



Left Hand Shown



Specify

- Select paint
- Laminate with matching edge

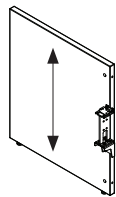
Notes

- Cannot be used freestanding, must be attached to a Beam.
- Encounter PowerBeam gallery panels are ordered specific to Beam height.
- Gallery panels add 1 1/8" between or at the end of Beam sections.
- Encounter PowerBench only compatible with 29"H.
- Mid mounts are not compatible with PowerBench.

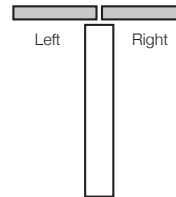
Laminate Gallery Panels – Mid Mount End

29" MID MOUNT END, VERTICAL GRAIN PATTERN				
		Left	Right	
H	W	Model Number	Model Number	List
29	24	T-SLM292429LV	T-SLM292429RV	608
29	30	T-SLM293029LV	T-SLM293029RV	639
29	36	T-SLM293629LV	T-SLM293629RV	656
29	42	T-SLM294229LV	T-SLM294229RV	670
29	48	T-SLM294829LV	T-SLM294829RV	680
29	54	T-SLM295429LV	T-SLM295429RV	691
42	24	T-SLM422429LV	T-SLM422429RV	654
42	30	T-SLM423029LV	T-SLM423029RV	705
42	36	T-SLM423629LV	T-SLM423629RV	750
42	42	T-SLM424229LV	T-SLM424229RV	792
42	48	T-SLM424829LV	T-SLM424829RV	838
42	54	T-SLM425429LV	T-SLM425429RV	881
46	24	T-SLM462429LV	T-SLM462429RV	677
46	30	T-SLM463029LV	T-SLM463029RV	738
46	36	T-SLM463629LV	T-SLM463629RV	796
46	42	T-SLM464229LV	T-SLM464229RV	854
46	48	T-SLM464829LV	T-SLM464829RV	916
46	54	T-SLM465429LV	T-SLM465429RV	978

29" MID MOUNT END, VERTICAL GRAIN PATTERN				
		Left	Right	
H	W	Model Number	Model Number	List
50	24	T-SLM502429LV	T-SLM502429RV	699
50	30	T-SLM503029LV	T-SLM503029RV	771
50	36	T-SLM503629LV	T-SLM503629RV	841
50	42	T-SLM504229LV	T-SLM504229RV	916
50	48	T-SLM504829LV	T-SLM504829RV	993
50	54	T-SLM505429LV	T-SLM505429RV	1,073
58	24	T-SLM582429LV	T-SLM582429RV	779
58	30	T-SLM583029LV	T-SLM583029RV	854
58	36	T-SLM583629LV	T-SLM583629RV	921
58	42	T-SLM584229LV	T-SLM584229RV	992
58	48	T-SLM584829LV	T-SLM584829RV	1,047
58	54	T-SLM585429LV	T-SLM585429RV	1,102



Left Hand Shown



Specify

- Select paint
- Laminate with matching edge

Notes

- Cannot be used freestanding, must be attached to a Beam.
- Encounter PowerBeam gallery panels are ordered specific to Beam height.
- Gallery panels add 1 1/8" between or at the end of Beam sections.
- Encounter PowerBench only compatible with 29"H.
- Mid mounts are not compatible with PowerBench.

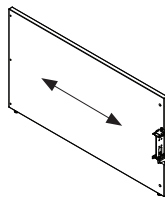
Laminate Gallery Panels – Mid Mount End for Wing

21" MID MOUNT END FOR WING, HORIZONTAL GRAIN PATTERN

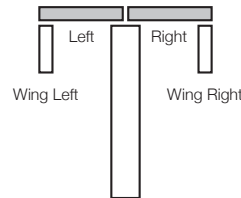
H	W	Left	Right	List
		Model Number	Model Number	
29	48	T-SLMW294821L	T-SLMW294821R	714
29	54	T-SLMW295421L	T-SLMW295421R	724
29	60	T-SLMW296021L	T-SLMW296021R	851
29	66	T-SLMW296621L	T-SLMW296621R	892
29	72	T-SLMW297221L	T-SLMW297221R	948
29	78	T-SLMW297821L	T-SLMW297821R	1,004
29	84	T-SLMW298421L	T-SLMW298421R	1,059
29	90	T-SLMW299021L	T-SLMW299021R	1,114
42	48	T-SLMW424821L	T-SLMW424821R	873
42	54	T-SLMW425421L	T-SLMW425421R	915
42	60	T-SLMW426021L	T-SLMW426021R	1,030
42	66	T-SLMW426621L	T-SLMW426621R	1,102
42	72	T-SLMW427221L	T-SLMW427221R	1,145
42	78	T-SLMW427821L	T-SLMW427821R	1,188
42	84	T-SLMW428421L	T-SLMW428421R	1,231
42	90	T-SLMW429021L	T-SLMW429021R	1,274

21" MID MOUNT END FOR WING, HORIZONTAL GRAIN PATTERN

H	W	Left	Right	List
		Model Number	Model Number	
46	48	T-SLMW464821L	T-SLMW464821R	950
46	54	T-SLMW465421L	T-SLMW465421R	1,010
46	60	T-SLMW466021L	T-SLMW466021R	1,120
46	66	T-SLMW466621L	T-SLMW466621R	1,207
46	72	T-SLMW467221L	T-SLMW467221R	1,244
46	78	T-SLMW467821L	T-SLMW467821R	1,281
46	84	T-SLMW468421L	T-SLMW468421R	1,317
46	90	T-SLMW469021L	T-SLMW469021R	1,354
50	48	T-SLMW504821L	T-SLMW504821R	1,029
50	54	T-SLMW505421L	T-SLMW505421R	1,107
50	60	T-SLMW506021L	T-SLMW506021R	1,211
50	66	T-SLMW506621L	T-SLMW506621R	1,312
50	72	T-SLMW507221L	T-SLMW507221R	1,344
50	78	T-SLMW507821L	T-SLMW507821R	1,373
50	84	T-SLMW508421L	T-SLMW508421R	1,403
50	90	T-SLMW509021L	T-SLMW509021R	1,432



Left Hand Shown



Specify

- Select paint
- Laminate with matching edge

Notes

- Cannot be used freestanding, must be attached to a Beam.
- Encounter PowerBeam gallery panels are ordered specific to Beam height.
- Gallery panels add 1 1/8" between or at the end of Beam sections.
- Any gallery panel that extends more than 60" from the Beam must be tied to storage or similar support.
- Encounter PowerBench only compatible with 29"H.
- Mid mounts are not compatible with PowerBench.

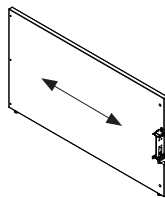
Laminate Gallery Panels – Mid Mount End for Wing

25" MID MOUNT END FOR WING, HORIZONTAL GRAIN PATTERN

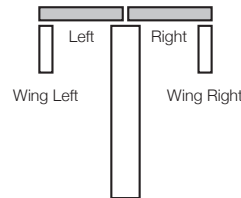
H	W	Left	Right	List
		Model Number	Model Number	
29	48	T-SLMW294825L	T-SLMW294825R	714
29	54	T-SLMW295425L	T-SLMW295425R	724
29	60	T-SLMW296025L	T-SLMW296025R	851
29	66	T-SLMW296625L	T-SLMW296625R	892
29	72	T-SLMW297225L	T-SLMW297225R	948
29	78	T-SLMW297825L	T-SLMW297825R	1,004
29	84	T-SLMW298425L	T-SLMW298425R	1,059
29	90	T-SLMW299025L	T-SLMW299025R	1,114
42	48	T-SLMW424825L	T-SLMW424825R	873
42	54	T-SLMW425425L	T-SLMW425425R	915
42	60	T-SLMW426025L	T-SLMW426025R	1,030
42	66	T-SLMW426625L	T-SLMW426625R	1,102
42	72	T-SLMW427225L	T-SLMW427225R	1,145
42	78	T-SLMW427825L	T-SLMW427825R	1,188
42	84	T-SLMW428425L	T-SLMW428425R	1,231
42	90	T-SLMW429025L	T-SLMW429025R	1,274
46	48	T-SLMW464825L	T-SLMW464825R	950
46	54	T-SLMW465425L	T-SLMW465425R	1,010
46	60	T-SLMW466025L	T-SLMW466025R	1,120
46	66	T-SLMW466625L	T-SLMW466625R	1,207
46	72	T-SLMW467225L	T-SLMW467225R	1,244
46	78	T-SLMW467825L	T-SLMW467825R	1,281
46	84	T-SLMW468425L	T-SLMW468425R	1,317
46	90	T-SLMW469025L	T-SLMW469025R	1,354

25" MID MOUNT END FOR WING, HORIZONTAL GRAIN PATTERN

H	W	Left	Right	List
		Model Number	Model Number	
50	48	T-SLMW504825L	T-SLMW504825R	1,029
50	54	T-SLMW505425L	T-SLMW505425R	1,107
50	60	T-SLMW506025L	T-SLMW506025R	1,211
50	66	T-SLMW506625L	T-SLMW506625R	1,312
50	72	T-SLMW507225L	T-SLMW507225R	1,344
50	78	T-SLMW507825L	T-SLMW507825R	1,373
50	84	T-SLMW508425L	T-SLMW508425R	1,403
50	90	T-SLMW509025L	T-SLMW509025R	1,432
58	48	T-SLMW584825L	T-SLMW584825R	1,083
58	54	T-SLMW585425L	T-SLMW585425R	1,137
58	60	T-SLMW586025L	T-SLMW586025R	1,236
58	66	T-SLMW586625L	T-SLMW586625R	1,333
58	72	T-SLMW587225L	T-SLMW587225R	1,431
58	78	T-SLMW587825L	T-SLMW587825R	1,530
58	84	T-SLMW588425L	T-SLMW588425R	1,629
58	90	T-SLMW589025L	T-SLMW589025R	1,726



Left Hand Shown



Specify

- Select paint
- Laminate with matching edge

Notes

- Cannot be used freestanding, must be attached to a Beam.
- Encounter PowerBeam gallery panels are ordered specific to Beam height.
- Gallery panels add 1 1/8" between or at the end of Beam sections.
- Any gallery panel that extends more than 60" from the Beam must be tied to storage or similar support.
- Encounter PowerBench only compatible with 29"H.
- Mid mounts are not compatible with PowerBench.

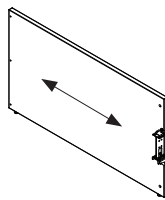
Laminate Gallery Panels – Mid Mount End for Wing

29" MID MOUNT END FOR WING, HORIZONTAL GRAIN PATTERN

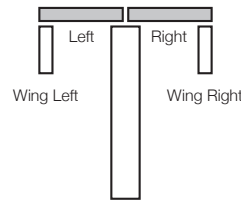
H	W	Left	Right	List
		Model Number	Model Number	
29	48	T-SLMW294829L	T-SLMW294829R	714
29	54	T-SLMW295429L	T-SLMW295429R	724
29	60	T-SLMW296029L	T-SLMW296029R	851
29	66	T-SLMW296629L	T-SLMW296629R	892
29	72	T-SLMW297229L	T-SLMW297229R	948
29	78	T-SLMW297829L	T-SLMW297829R	1,004
29	84	T-SLMW298429L	T-SLMW298429R	1,059
29	90	T-SLMW299029L	T-SLMW299029R	1,114
42	48	T-SLMW424829L	T-SLMW424829R	873
42	54	T-SLMW425429L	T-SLMW425429R	915
42	60	T-SLMW426029L	T-SLMW426029R	1,030
42	66	T-SLMW426629L	T-SLMW426629R	1,102
42	72	T-SLMW427229L	T-SLMW427229R	1,145
42	78	T-SLMW427829L	T-SLMW427829R	1,188
42	84	T-SLMW428429L	T-SLMW428429R	1,231
42	90	T-SLMW429029L	T-SLMW429029R	1,274
46	48	T-SLMW464829L	T-SLMW464829R	950
46	54	T-SLMW465429L	T-SLMW465429R	1,010
46	60	T-SLMW466029L	T-SLMW466029R	1,120
46	66	T-SLMW466629L	T-SLMW466629R	1,207
46	72	T-SLMW467229L	T-SLMW467229R	1,244
46	78	T-SLMW467829L	T-SLMW467829R	1,281
46	84	T-SLMW468429L	T-SLMW468429R	1,317
46	90	T-SLMW469029L	T-SLMW469029R	1,354

29" MID MOUNT END FOR WING, HORIZONTAL GRAIN PATTERN

H	W	Left	Right	List
		Model Number	Model Number	
50	48	T-SLMW504829L	T-SLMW504829R	1,029
50	54	T-SLMW505429L	T-SLMW505429R	1,107
50	60	T-SLMW506029L	T-SLMW506029R	1,211
50	66	T-SLMW506629L	T-SLMW506629R	1,312
50	72	T-SLMW507229L	T-SLMW507229R	1,344
50	78	T-SLMW507829L	T-SLMW507829R	1,373
50	84	T-SLMW508429L	T-SLMW508429R	1,403
50	90	T-SLMW509029L	T-SLMW509029R	1,432
58	48	T-SLMW584829L	T-SLMW584829R	1,083
58	54	T-SLMW585429L	T-SLMW585429R	1,137
58	60	T-SLMW586029L	T-SLMW586029R	1,236
58	66	T-SLMW586629L	T-SLMW586629R	1,333
58	72	T-SLMW587229L	T-SLMW587229R	1,431
58	78	T-SLMW587829L	T-SLMW587829R	1,530
58	84	T-SLMW588429L	T-SLMW588429R	1,629
58	90	T-SLMW589029L	T-SLMW589029R	1,726



Left Hand Shown



Specify

- Select paint
- Laminate with matching edge

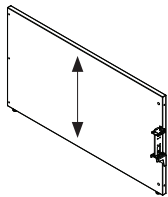
Notes

- Cannot be used freestanding, must be attached to a Beam.
- Encounter PowerBeam gallery panels are ordered specific to Beam height.
- Gallery panels add 1 1/8" between or at the end of Beam sections.
- Any gallery panel that extends more than 60" from the Beam must be tied to storage or similar support.
- Encounter PowerBench only compatible with 29"H.
- Mid mounts are not compatible with PowerBench.

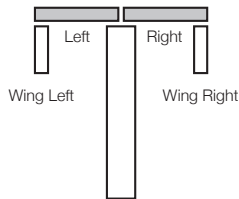
Laminate Gallery Panels – Mid Mount End for Wing

21" MID MOUNT END FOR WING, VERTICAL GRAIN PATTERN

H	W	Left	Right	List
		Model Number	Model Number	
29	48	T-SLMW294821LV	T-SLMW294821RV	714
29	54	T-SLMW295421LV	T-SLMW295421RV	724
42	48	T-SLMW424821LV	T-SLMW424821RV	873
42	54	T-SLMW425421LV	T-SLMW425421RV	915
46	48	T-SLMW464821LV	T-SLMW464821RV	950
46	54	T-SLMW465421LV	T-SLMW465421RV	1,010
50	48	T-SLMW504821LV	T-SLMW504821RV	1,029
50	54	T-SLMW505421LV	T-SLMW505421RV	1,107



Left Hand Shown



Specify

- Select paint
- Laminate with matching edge

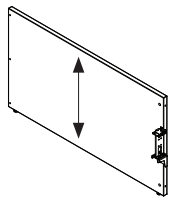
Notes

- Cannot be used freestanding, must be attached to a Beam.
- Encounter PowerBeam gallery panels are ordered specific to Beam height.
- Gallery panels add 1 1/8" between or at the end of Beam sections.
- Encounter PowerBench only compatible with 29"H.
- Mid mounts are not compatible with PowerBench.

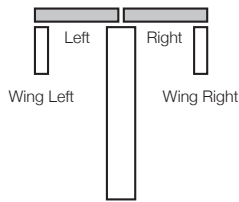
Laminate Gallery Panels – Mid Mount End for Wing

25" MID MOUNT END FOR WING, VERTICAL GRAIN PATTERN

H	W	Left	Right	List
		Model Number	Model Number	
29	48	T-SLMW294825LV	T-SLMW294825RV	714
29	54	T-SLMW295425LV	T-SLMW295425RV	724
42	48	T-SLMW424825LV	T-SLMW424825RV	873
42	54	T-SLMW425425LV	T-SLMW425425RV	915
46	48	T-SLMW464825LV	T-SLMW464825RV	950
46	54	T-SLMW465425LV	T-SLMW465425RV	1,010
50	48	T-SLMW504825LV	T-SLMW504825RV	1,029
50	54	T-SLMW505425LV	T-SLMW505425RV	1,107
58	48	T-SLMW584825LV	T-SLMW584825RV	1,083
58	54	T-SLMW585425LV	T-SLMW585425RV	1,137



Left Hand Shown



Specify

- Select paint
- Laminate with matching edge

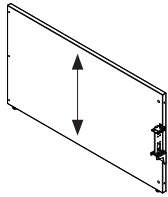
Notes

- Cannot be used freestanding, must be attached to a Beam.
- Encounter PowerBeam gallery panels are ordered specific to Beam height.
- Gallery panels add 1 1/8" between or at the end of Beam sections.
- Encounter PowerBench only compatible with 29"H.
- Mid mounts are not compatible with PowerBench.

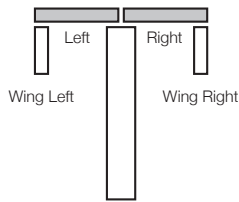
Laminate Gallery Panels – Mid Mount End for Wing

29" MID MOUNT END FOR WING, VERTICAL GRAIN PATTERN

H	W	Left	Right	List
		Model Number	Model Number	
29	48	T-SLMW294829LV	T-SLMW294829RV	714
29	54	T-SLMW295429LV	T-SLMW295429RV	724
42	48	T-SLMW424829LV	T-SLMW424829RV	873
42	54	T-SLMW425429LV	T-SLMW425429RV	915
46	48	T-SLMW464829LV	T-SLMW464829RV	950
46	54	T-SLMW465429LV	T-SLMW465429RV	1,010
50	48	T-SLMW504829LV	T-SLMW504829RV	1,029
50	54	T-SLMW505429LV	T-SLMW505429RV	1,107
58	48	T-SLMW584829LV	T-SLMW584829RV	1,083
58	54	T-SLMW585429LV	T-SLMW585429RV	1,137



Left Hand Shown



Specify

- Select paint
- Laminate with matching edge

Notes

- Cannot be used freestanding, must be attached to a Beam.
- Encounter PowerBeam gallery panels are ordered specific to Beam height.
- Gallery panels add 1 1/8" between or at the end of Beam sections.
- Encounter PowerBench only compatible with 29"H.
- Mid mounts are not compatible with PowerBench.

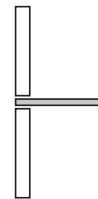
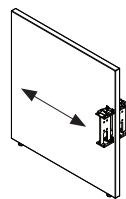
Laminate Gallery Panels – Beam Mount Single Spine

21" BEAM MOUNT SINGLE SPINE, HORIZONTAL GRAIN PATTERN

H	W	Model Number	List
29	24	T-SLGP292421	608
29	30	T-SLGP293021	639
29	36	T-SLGP293621	656
29	42	T-SLGP294221	670
29	48	T-SLGP294821	680
29	54	T-SLGP295421	691
29	60	T-SLGP296021	816
29	66	T-SLGP296621	858
29	72	T-SLGP297221	914
29	78	T-SLGP297821	968
29	84	T-SLGP298421	1,023
29	90	T-SLGP299021	1,078
42	24	T-SLGP422421	654
42	30	T-SLGP423021	705
42	36	T-SLGP423621	750
42	42	T-SLGP424221	792
42	48	T-SLGP424821	838
42	54	T-SLGP425421	881
42	60	T-SLGP426021	995
42	66	T-SLGP426621	1,070
42	72	T-SLGP427221	1,112
42	78	T-SLGP427821	1,154
42	84	T-SLGP428421	1,197
42	90	T-SLGP429021	1,240

21" BEAM MOUNT SINGLE SPINE, HORIZONTAL GRAIN PATTERN

H	W	Model Number	List
46	24	T-SLGP462421	677
46	30	T-SLGP463021	738
46	36	T-SLGP463621	796
46	42	T-SLGP464221	854
46	48	T-SLGP464821	916
46	54	T-SLGP465421	978
46	60	T-SLGP466021	1,086
46	66	T-SLGP466621	1,173
46	72	T-SLGP467221	1,211
46	78	T-SLGP467821	1,247
46	84	T-SLGP468421	1,283
46	90	T-SLGP469021	1,319
50	24	T-SLGP502421	699
50	30	T-SLGP503021	771
50	36	T-SLGP503621	841
50	42	T-SLGP504221	916
50	48	T-SLGP504821	993
50	54	T-SLGP505421	1,073
50	60	T-SLGP506021	1,176
50	66	T-SLGP506621	1,277
50	72	T-SLGP507221	1,309
50	78	T-SLGP507821	1,340
50	84	T-SLGP508421	1,370
50	90	T-SLGP509021	1,399



Specify

Notes

• Laminate with matching edge

- Cannot be used freestanding, must be attached to a Beam.
- Encounter PowerBeam gallery panels are ordered specific to Beam height.
- Gallery panels add 1 1/8" between or at the end of Beam sections.
- Any gallery panel that extends more than 60" from the Beam must be tied to storage or similar support.
- Encounter PowerBench only compatible with 29"H.
- Extended panel to panel electrical jumpers must be used when jumping power through a spine mounted gallery panel.

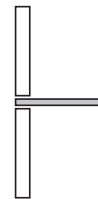
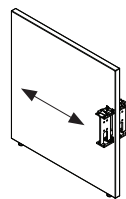
Laminate Gallery Panels – Beam Mount Single Spine

25" BEAM MOUNT SINGLE SPINE, HORIZONTAL GRAIN PATTERN

H	W	Model Number	List
29	24	T-SLGP292425	608
29	30	T-SLGP293025	639
29	36	T-SLGP293625	656
29	42	T-SLGP294225	670
29	48	T-SLGP294825	680
29	54	T-SLGP295425	691
29	60	T-SLGP296025	816
29	66	T-SLGP296625	858
29	72	T-SLGP297225	914
29	78	T-SLGP297825	968
29	84	T-SLGP298425	1,023
29	90	T-SLGP299025	1,078
42	24	T-SLGP422425	654
42	30	T-SLGP423025	705
42	36	T-SLGP423625	750
42	42	T-SLGP424225	792
42	48	T-SLGP424825	838
42	54	T-SLGP425425	881
42	60	T-SLGP426025	995
42	66	T-SLGP426625	1,070
42	72	T-SLGP427225	1,112
42	78	T-SLGP427825	1,154
42	84	T-SLGP428425	1,197
42	90	T-SLGP429025	1,240

25" BEAM MOUNT SINGLE SPINE, HORIZONTAL GRAIN PATTERN

H	W	Model Number	List
46	24	T-SLGP462425	677
46	30	T-SLGP463025	738
46	36	T-SLGP463625	796
46	42	T-SLGP464225	854
46	48	T-SLGP464825	916
46	54	T-SLGP465425	978
46	60	T-SLGP466025	1,086
46	66	T-SLGP466625	1,173
46	72	T-SLGP467225	1,211
46	78	T-SLGP467825	1,247
46	84	T-SLGP468425	1,283
46	90	T-SLGP469025	1,319
50	24	T-SLGP502425	699
50	30	T-SLGP503025	771
50	36	T-SLGP503625	841
50	42	T-SLGP504225	916
50	48	T-SLGP504825	993
50	54	T-SLGP505425	1,073
50	60	T-SLGP506025	1,176
50	66	T-SLGP506625	1,277
50	72	T-SLGP507225	1,309
50	78	T-SLGP507825	1,340
50	84	T-SLGP508425	1,370
50	90	T-SLGP509025	1,399



Specify

- Laminate with matching edge

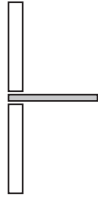
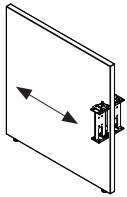
Notes

- Cannot be used freestanding, must be attached to a Beam.
- Encounter PowerBeam gallery panels are ordered specific to Beam height.
- Gallery panels add 1 1/8" between or at the end of Beam sections.
- Any gallery panel that extends more than 60" from the Beam must be tied to storage or similar support.
- Encounter PowerBench only compatible with 29"H.
- Extended panel to panel electrical jumpers must be used when jumping power through a spine mounted gallery panel.

Laminate Gallery Panels – Beam Mount Single Spine

25" BEAM MOUNT SINGLE SPINE, HORIZONTAL GRAIN PATTERN

H	W	Model Number	List
58	24	T-SLGP582425	779
58	30	T-SLGP583025	854
58	36	T-SLGP583625	921
58	42	T-SLGP584225	992
58	48	T-SLGP584825	1,047
58	54	T-SLGP585425	1,102
58	60	T-SLGP586025	1,201
58	66	T-SLGP586625	1,300
58	72	T-SLGP587225	1,398
58	78	T-SLGP587825	1,496
58	84	T-SLGP588425	1,594
58	90	T-SLGP589025	1,693



Specify

- Laminate with matching edge

Notes

- Cannot be used freestanding, must be attached to a Beam.
- Encounter PowerBeam gallery panels are ordered specific to Beam height.
- Gallery panels add 1 1/8" between or at the end of Beam sections.
- Any gallery panel that extends more than 60" from the Beam must be tied to storage or similar support.
- Encounter PowerBench only compatible with 29"H.
- Extended panel to panel electrical jumpers must be used when jumping power through a spine mounted gallery panel.

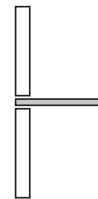
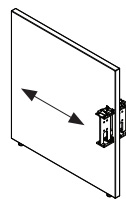
Laminate Gallery Panels – Beam Mount Single Spine

29" BEAM MOUNT SINGLE SPINE, HORIZONTAL GRAIN PATTERN

H	W	Model Number	List
29	24	T-SLGP292429	608
29	30	T-SLGP293029	639
29	36	T-SLGP293629	656
29	42	T-SLGP294229	670
29	48	T-SLGP294829	680
29	54	T-SLGP295429	691
29	60	T-SLGP296029	816
29	66	T-SLGP296629	858
29	72	T-SLGP297229	914
29	78	T-SLGP297829	968
29	84	T-SLGP298429	1,023
29	90	T-SLGP299029	1,078
42	24	T-SLGP422429	654
42	30	T-SLGP423029	705
42	36	T-SLGP423629	750
42	42	T-SLGP424229	792
42	48	T-SLGP424829	838
42	54	T-SLGP425429	881
42	60	T-SLGP426029	995
42	66	T-SLGP426629	1,070
42	72	T-SLGP427229	1,112
42	78	T-SLGP427829	1,154
42	84	T-SLGP428429	1,197
42	90	T-SLGP429029	1,240

29" BEAM MOUNT SINGLE SPINE, HORIZONTAL GRAIN PATTERN

H	W	Model Number	List
46	24	T-SLGP462429	677
46	30	T-SLGP463029	738
46	36	T-SLGP463629	796
46	42	T-SLGP464229	854
46	48	T-SLGP464829	916
46	54	T-SLGP465429	978
46	60	T-SLGP466029	1,086
46	66	T-SLGP466629	1,173
46	72	T-SLGP467229	1,211
46	78	T-SLGP467829	1,247
46	84	T-SLGP468429	1,283
46	90	T-SLGP469029	1,319
50	24	T-SLGP502429	699
50	30	T-SLGP503029	771
50	36	T-SLGP503629	841
50	42	T-SLGP504229	916
50	48	T-SLGP504829	993
50	54	T-SLGP505429	1,073
50	60	T-SLGP506029	1,176
50	66	T-SLGP506629	1,277
50	72	T-SLGP507229	1,309
50	78	T-SLGP507829	1,340
50	84	T-SLGP508429	1,370
50	90	T-SLGP509029	1,399



Specify

- Laminate with matching edge

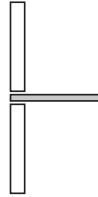
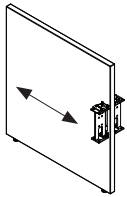
Notes

- Cannot be used freestanding, must be attached to a Beam.
- Encounter PowerBeam gallery panels are ordered specific to Beam height.
- Gallery panels add 1 1/8" between or at the end of Beam sections.
- Any gallery panel that extends more than 60" from the Beam must be tied to storage or similar support.
- Encounter PowerBench only compatible with 29"H.
- Extended panel to panel electrical jumpers must be used when jumping power through a spine mounted gallery panel.

Laminate Gallery Panels – Beam Mount Single Spine

29" BEAM MOUNT SINGLE SPINE, HORIZONTAL GRAIN PATTERN

H	W	Model Number	List
58	24	T-SLGP582429	779
58	30	T-SLGP583029	854
58	36	T-SLGP583629	921
58	42	T-SLGP584229	992
58	48	T-SLGP584829	1,047
58	54	T-SLGP585429	1,102
58	60	T-SLGP586029	1,201
58	66	T-SLGP586629	1,300
58	72	T-SLGP587229	1,398
58	78	T-SLGP587829	1,496
58	84	T-SLGP588429	1,594
58	90	T-SLGP589029	1,693



Specify

- Laminate with matching edge

Notes

- Cannot be used freestanding, must be attached to a Beam.
- Encounter PowerBeam gallery panels are ordered specific to Beam height.
- Gallery panels add 1 1/8" between or at the end of Beam sections.
- Any gallery panel that extends more than 60" from the Beam must be tied to storage or similar support.
- Encounter PowerBench only compatible with 29"H.
- Extended panel to panel electrical jumpers must be used when jumping power through a spine mounted gallery panel.

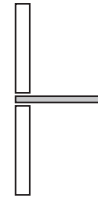
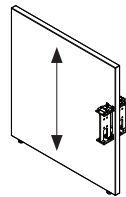
Laminate Gallery Panels – Beam Mount Single Spine

21" BEAM MOUNT SINGLE SPINE, VERTICAL GRAIN PATTERN

H	W	Model Number	List
29	24	T-SLGP292421V	608
29	30	T-SLGP293021V	639
29	36	T-SLGP293621V	656
29	42	T-SLGP294221V	670
29	48	T-SLGP294821V	680
29	54	T-SLGP295421V	691
42	24	T-SLGP422421V	654
42	30	T-SLGP423021V	705
42	36	T-SLGP423621V	750
42	42	T-SLGP424221V	792
42	48	T-SLGP424821V	838
42	54	T-SLGP425421V	881

21" BEAM MOUNT SINGLE SPINE, VERTICAL GRAIN PATTERN

H	W	Model Number	List
46	24	T-SLGP462421V	677
46	30	T-SLGP463021V	738
46	36	T-SLGP463621V	796
46	42	T-SLGP464221V	854
46	48	T-SLGP464821V	916
46	54	T-SLGP465421V	978
50	24	T-SLGP502421V	699
50	30	T-SLGP503021V	771
50	36	T-SLGP503621V	841
50	42	T-SLGP504221V	916
50	48	T-SLGP504821V	993
50	54	T-SLGP505421V	1,073



Specify

Notes

• Laminate with matching edge

- Cannot be used freestanding, must be attached to a Beam.
- Encounter PowerBeam gallery panels are ordered specific to Beam height.
- Gallery panels add 1 1/8" between or at the end of Beam sections.
- Encounter PowerBench only compatible with 29"H.
- Extended panel to panel electrical jumpers must be used when jumping power through a spine mounted gallery panel.

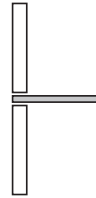
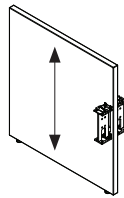
Laminate Gallery Panels – Beam Mount Single Spine

25" BEAM MOUNT SINGLE SPINE, VERTICAL GRAIN PATTERN

H	W	Model Number	List
29	24	T-SLGP292425V	608
29	30	T-SLGP293025V	639
29	36	T-SLGP293625V	656
29	42	T-SLGP294225V	670
29	48	T-SLGP294825V	680
29	54	T-SLGP295425V	691
42	24	T-SLGP422425V	654
42	30	T-SLGP423025V	705
42	36	T-SLGP423625V	750
42	42	T-SLGP424225V	792
42	48	T-SLGP424825V	838
42	54	T-SLGP425425V	881
46	24	T-SLGP462425V	677
46	30	T-SLGP463025V	738
46	36	T-SLGP463625V	796
46	42	T-SLGP464225V	854
46	48	T-SLGP464825V	916
46	54	T-SLGP465425V	978

25" BEAM MOUNT SINGLE SPINE, VERTICAL GRAIN PATTERN

H	W	Model Number	List
50	24	T-SLGP502425V	699
50	30	T-SLGP503025V	771
50	36	T-SLGP503625V	841
50	42	T-SLGP504225V	916
50	48	T-SLGP504825V	993
50	54	T-SLGP505425V	1,073
58	24	T-SLGP582425V	779
58	30	T-SLGP583025V	854
58	36	T-SLGP583625V	921
58	42	T-SLGP584225V	992
58	48	T-SLGP584825V	1,047
58	54	T-SLGP585425V	1,102



Specify

- Laminate with matching edge

Notes

- Cannot be used freestanding, must be attached to a Beam.
- Encounter PowerBeam gallery panels are ordered specific to Beam height.
- Gallery panels add 1 1/8" between or at the end of Beam sections.
- Encounter PowerBench only compatible with 29"H.
- Extended panel to panel electrical jumpers must be used when jumping power through a spine mounted gallery panel.

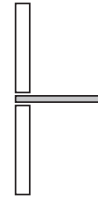
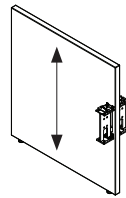
Laminate Gallery Panels – Beam Mount Single Spine

29" BEAM MOUNT SINGLE SPINE, VERTICAL GRAIN PATTERN

H	W	Model Number	List
29	24	T-SLGP292429V	608
29	30	T-SLGP293029V	639
29	36	T-SLGP293629V	656
29	42	T-SLGP294229V	670
29	48	T-SLGP294829V	680
29	54	T-SLGP295429V	691
42	24	T-SLGP422429V	654
42	30	T-SLGP423029V	705
42	36	T-SLGP423629V	750
42	42	T-SLGP424229V	792
42	48	T-SLGP424829V	838
42	54	T-SLGP425429V	881
46	24	T-SLGP462429V	677
46	30	T-SLGP463029V	738
46	36	T-SLGP463629V	796
46	42	T-SLGP464229V	854
46	48	T-SLGP464829V	916
46	54	T-SLGP465429V	978

29" BEAM MOUNT SINGLE SPINE, VERTICAL GRAIN PATTERN

H	W	Model Number	List
50	24	T-SLGP502429V	699
50	30	T-SLGP503029V	771
50	36	T-SLGP503629V	841
50	42	T-SLGP504229V	916
50	48	T-SLGP504829V	993
50	54	T-SLGP505429V	1,073
58	24	T-SLGP582429V	779
58	30	T-SLGP583029V	854
58	36	T-SLGP583629V	921
58	42	T-SLGP584229V	992
58	48	T-SLGP584829V	1,047
58	54	T-SLGP585429V	1,102



Specify

- Laminate with matching edge

Notes

- Cannot be used freestanding, must be attached to a Beam.
- Encounter PowerBeam gallery panels are ordered specific to Beam height.
- Gallery panels add 1 1/8" between or at the end of Beam sections.
- Encounter PowerBench only compatible with 29"H.
- Extended panel to panel electrical jumpers must be used when jumping power through a spine mounted gallery panel.

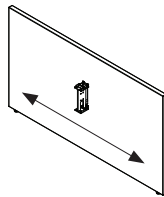
Laminate Gallery Panels – Beam Mount Double Spine

21" BEAM MOUNT DOUBLE SPINE, HORIZONTAL GRAIN PATTERN

H	W	Model Number	List
29	48	T-SLGPD294821	714
29	54	T-SLGPD295421	724
29	60	T-SLGPD296021	851
29	66	T-SLGPD296621	892
29	72	T-SLGPD297221	948
29	78	T-SLGPD297821	1,004
29	84	T-SLGPD298421	1,059
29	90	T-SLGPD299021	1,114
42	48	T-SLGPD424821	873
42	54	T-SLGPD425421	915
42	60	T-SLGPD426021	1,030
42	66	T-SLGPD426621	1,102
42	72	T-SLGPD427221	1,145
42	78	T-SLGPD427821	1,188
42	84	T-SLGPD428421	1,231
42	90	T-SLGPD429021	1,274

21" BEAM MOUNT DOUBLE SPINE, HORIZONTAL GRAIN PATTERN

H	W	Model Number	List
46	48	T-SLGPD464821	950
46	54	T-SLGPD465421	1,010
46	60	T-SLGPD466021	1,120
46	66	T-SLGPD466621	1,207
46	72	T-SLGPD467221	1,244
46	78	T-SLGPD467821	1,281
46	84	T-SLGPD468421	1,317
46	90	T-SLGPD469021	1,354
50	48	T-SLGPD504821	1,029
50	54	T-SLGPD505421	1,107
50	60	T-SLGPD506021	1,211
50	66	T-SLGPD506621	1,312
50	72	T-SLGPD507221	1,344
50	78	T-SLGPD507821	1,373
50	84	T-SLGPD508421	1,403
50	90	T-SLGPD509021	1,432



Specify

- Laminate with matching edge

Notes

- Cannot be used freestanding, must be attached to a Beam.
- Encounter PowerBeam gallery panels are ordered specific to Beam height.
- Gallery panels add 1 1/8" between or at the end of Beam sections.
- Any gallery panel that extends more than 60" from the Beam must be tied to storage or similar support.
- Encounter PowerBench only compatible with 29"H.
- Extended panel to panel electrical jumpers must be used when jumping power through a spine mounted gallery panel.

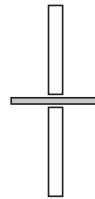
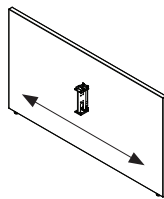
Laminate Gallery Panels – Beam Mount Double Spine

25" BEAM MOUNT DOUBLE SPINE, HORIZONTAL GRAIN PATTERN

H	W	Model Number	List
29	48	T-SLGPD294825	714
29	54	T-SLGPD295425	724
29	60	T-SLGPD296025	851
29	66	T-SLGPD296625	892
29	72	T-SLGPD297225	948
29	78	T-SLGPD297825	1,004
29	84	T-SLGPD298425	1,059
29	90	T-SLGPD299025	1,114
42	48	T-SLGPD424825	873
42	54	T-SLGPD425425	915
42	60	T-SLGPD426025	1,030
42	66	T-SLGPD426625	1,102
42	72	T-SLGPD427225	1,145
42	78	T-SLGPD427825	1,188
42	84	T-SLGPD428425	1,231
42	90	T-SLGPD429025	1,274
46	48	T-SLGPD464825	950
46	54	T-SLGPD465425	1,010
46	60	T-SLGPD466025	1,120
46	66	T-SLGPD466625	1,207
46	72	T-SLGPD467225	1,244
46	78	T-SLGPD467825	1,281
46	84	T-SLGPD468425	1,317
46	90	T-SLGPD469025	1,354

25" BEAM MOUNT DOUBLE SPINE, HORIZONTAL GRAIN PATTERN

H	W	Model Number	List
50	48	T-SLGPD504825	1,029
50	54	T-SLGPD505425	1,107
50	60	T-SLGPD506025	1,211
50	66	T-SLGPD506625	1,312
50	72	T-SLGPD507225	1,344
50	78	T-SLGPD507825	1,373
50	84	T-SLGPD508425	1,403
50	90	T-SLGPD509025	1,432
58	48	T-SLGPD584825	1,083
58	54	T-SLGPD585425	1,137
58	60	T-SLGPD586025	1,236
58	66	T-SLGPD586625	1,333
58	72	T-SLGPD587225	1,431
58	78	T-SLGPD587825	1,530
58	84	T-SLGPD588425	1,629
58	90	T-SLGPD589025	1,726



Specify

- Laminate with matching edge

Notes

- Cannot be used freestanding, must be attached to a Beam.
- Encounter PowerBeam gallery panels are ordered specific to Beam height.
- Gallery panels add 1 1/8" between or at the end of Beam sections.
- Any gallery panel that extends more than 60" from the Beam must be tied to storage or similar support.
- Encounter PowerBench only compatible with 29"H.
- Extended panel to panel electrical jumpers must be used when jumping power through a spine mounted gallery panel.

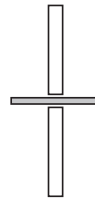
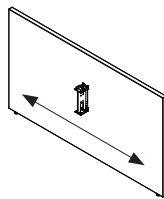
Laminate Gallery Panels – Beam Mount Double Spine

29" BEAM MOUNT DOUBLE SPINE, HORIZONTAL GRAIN PATTERN

H	W	Model Number	List
29	48	T-SLGPD294829	714
29	54	T-SLGPD295429	724
29	60	T-SLGPD296029	851
29	66	T-SLGPD296629	892
29	72	T-SLGPD297229	948
29	78	T-SLGPD297829	1,004
29	84	T-SLGPD298429	1,059
29	90	T-SLGPD299029	1,114
42	48	T-SLGPD424829	873
42	54	T-SLGPD425429	915
42	60	T-SLGPD426029	1,030
42	66	T-SLGPD426629	1,102
42	72	T-SLGPD427229	1,145
42	78	T-SLGPD427829	1,188
42	84	T-SLGPD428429	1,231
42	90	T-SLGPD429029	1,274
46	48	T-SLGPD464829	950
46	54	T-SLGPD465429	1,010
46	60	T-SLGPD466029	1,120
46	66	T-SLGPD466629	1,207
46	72	T-SLGPD467229	1,244
46	78	T-SLGPD467829	1,281
46	84	T-SLGPD468429	1,317
46	90	T-SLGPD469029	1,354

29" BEAM MOUNT DOUBLE SPINE, HORIZONTAL GRAIN PATTERN

H	W	Model Number	List
50	48	T-SLGPD504829	1,029
50	54	T-SLGPD505429	1,107
50	60	T-SLGPD506029	1,211
50	66	T-SLGPD506629	1,312
50	72	T-SLGPD507229	1,344
50	78	T-SLGPD507829	1,373
50	84	T-SLGPD508429	1,403
50	90	T-SLGPD509029	1,432
58	48	T-SLGPD584829	1,083
58	54	T-SLGPD585429	1,137
58	60	T-SLGPD586029	1,236
58	66	T-SLGPD586629	1,333
58	72	T-SLGPD587229	1,431
58	78	T-SLGPD587829	1,530
58	84	T-SLGPD588429	1,629
58	90	T-SLGPD589029	1,726



Specify

- Laminate with matching edge

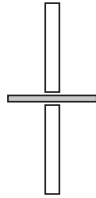
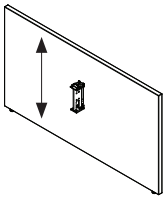
Notes

- Cannot be used freestanding, must be attached to a Beam.
- Encounter PowerBeam gallery panels are ordered specific to Beam height.
- Gallery panels add 1 1/8" between or at the end of Beam sections.
- Any gallery panel that extends more than 60" from the Beam must be tied to storage or similar support.
- Encounter PowerBench only compatible with 29"H.
- Extended panel to panel electrical jumpers must be used when jumping power through a spine mounted gallery panel.

Laminate Gallery Panels – Beam Mount Double Spine

21" BEAM MOUNT DOUBLE SPINE, VERTICAL GRAIN PATTERN

H	W	Model Number	List
29	48	T-SLGPD294821V	714
29	54	T-SLGPD295421V	724
42	48	T-SLGPD424821V	873
42	54	T-SLGPD425421V	915
46	48	T-SLGPD464821V	950
46	54	T-SLGPD465421V	1,010
50	48	T-SLGPD504821V	1,029
50	54	T-SLGPD505421V	1,107



Specify

- Laminate with matching edge

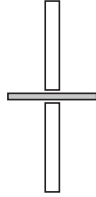
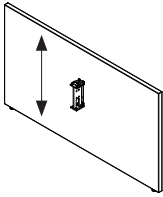
Notes

- Cannot be used freestanding, must be attached to a Beam.
- Encounter PowerBeam gallery panels are ordered specific to Beam height.
- Gallery panels add 1 1/8" between or at the end of Beam sections.
- Encounter PowerBench only compatible with 29"H.
- Extended panel to panel electrical jumpers must be used when jumping power through a spine mounted gallery panel.

Laminate Gallery Panels – Beam Mount Double Spine

25" BEAM MOUNT DOUBLE SPINE, VERTICAL GRAIN PATTERN

H	W	Model Number	List
29	48	T-SLGPD294825V	714
29	54	T-SLGPD295425V	724
42	48	T-SLGPD424825V	873
42	54	T-SLGPD425425V	915
46	48	T-SLGPD464825V	950
46	54	T-SLGPD465425V	1,010
50	48	T-SLGPD504825V	1,029
50	54	T-SLGPD505425V	1,107
58	48	T-SLGPD584825V	1,083
58	54	T-SLGPD585425V	1,137



Specify

Notes

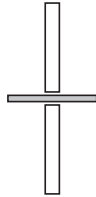
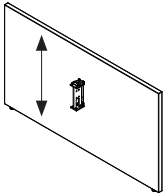
• Laminate with matching edge

- Cannot be used freestanding, must be attached to a Beam.
- Encounter PowerBeam gallery panels are ordered specific to Beam height.
- Gallery panels add 1 1/8" between or at the end of Beam sections.
- Encounter PowerBench only compatible with 29"H.
- Extended panel to panel electrical jumpers must be used when jumping power through a spine mounted gallery panel.

Laminate Gallery Panels – Beam Mount Double Spine

29" BEAM MOUNT DOUBLE SPINE, VERTICAL GRAIN PATTERN

H	W	Model Number	List
29	48	T-SLGPD294829V	714
29	54	T-SLGPD295429V	724
42	48	T-SLGPD424829V	873
42	54	T-SLGPD425429V	915
46	48	T-SLGPD464829V	950
46	54	T-SLGPD465429V	1,010
50	48	T-SLGPD504829V	1,029
50	54	T-SLGPD505429V	1,107
58	48	T-SLGPD584829V	1,083
58	54	T-SLGPD585429V	1,137



Specify

- Laminate with matching edge

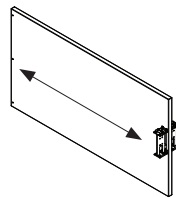
Notes

- Cannot be used freestanding, must be attached to a Beam.
- Encounter PowerBeam gallery panels are ordered specific to Beam height.
- Gallery panels add 1 1/8" between or at the end of Beam sections.
- Encounter PowerBench only compatible with 29"H.
- Extended panel to panel electrical jumpers must be used when jumping power through a spine mounted gallery panel.

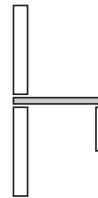
Laminate Gallery Panels – Beam Mount Single Spine for Wing

21" BEAM MOUNT SINGLE SPINE FOR WING, HORIZONTAL GRAIN PATTERN				
H	W	Left	Right	List
		Model Number	Model Number	
29	48	T-SGPW294821L	T-SGPW294821R	749
29	54	T-SGPW295421L	T-SGPW295421R	757
29	60	T-SGPW296021L	T-SGPW296021R	884
29	66	T-SGPW296621L	T-SGPW296621R	926
29	72	T-SGPW297221L	T-SGPW297221R	981
29	78	T-SGPW297821L	T-SGPW297821R	1,037
29	84	T-SGPW298421L	T-SGPW298421R	1,091
29	90	T-SGPW299021L	T-SGPW299021R	1,147
42	48	T-SGPW424821L	T-SGPW424821R	906
42	54	T-SGPW425421L	T-SGPW425421R	950
42	60	T-SGPW426021L	T-SGPW426021R	1,063
42	66	T-SGPW426621L	T-SGPW426621R	1,137
42	72	T-SGPW427221L	T-SGPW427221R	1,178
42	78	T-SGPW427821L	T-SGPW427821R	1,223
42	84	T-SGPW428421L	T-SGPW428421R	1,264
42	90	T-SGPW429021L	T-SGPW429021R	1,308

21" BEAM MOUNT SINGLE SPINE FOR WING, HORIZONTAL GRAIN PATTERN				
H	W	Left	Right	List
		Model Number	Model Number	
46	48	T-SGPW464821L	T-SGPW464821R	985
46	54	T-SGPW465421L	T-SGPW465421R	1,045
46	60	T-SGPW466021L	T-SGPW466021R	1,154
46	66	T-SGPW466621L	T-SGPW466621R	1,242
46	72	T-SGPW467221L	T-SGPW467221R	1,277
46	78	T-SGPW467821L	T-SGPW467821R	1,315
46	84	T-SGPW468421L	T-SGPW468421R	1,351
46	90	T-SGPW469021L	T-SGPW469021R	1,387
50	48	T-SGPW504821L	T-SGPW504821R	1,062
50	54	T-SGPW505421L	T-SGPW505421R	1,141
50	60	T-SGPW506021L	T-SGPW506021R	1,245
50	66	T-SGPW506621L	T-SGPW506621R	1,346
50	72	T-SGPW507221L	T-SGPW507221R	1,376
50	78	T-SGPW507821L	T-SGPW507821R	1,408
50	84	T-SGPW508421L	T-SGPW508421R	1,437
50	90	T-SGPW509021L	T-SGPW509021R	1,467



Left Hand Shown



Specify

- Laminate with matching edge

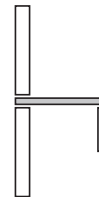
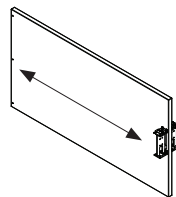
Notes

- Cannot be used freestanding, must be attached to a Beam.
- Encounter PowerBeam gallery panels are ordered specific to Beam height.
- Gallery panels add 1 1/8" between or at the end of Beam sections.
- Any gallery panel that extends more than 60" from the Beam must be tied to storage or similar support.
- Encounter PowerBench only compatible with 29"H.
- Extended panel to panel electrical jumpers must be used when jumping power through a spine mounted gallery panel.

Laminate Gallery Panels – Beam Mount Single Spine for Wing

25" BEAM MOUNT SINGLE SPINE FOR WING, HORIZONTAL GRAIN PATTERN				
H	W	Left	Right	List
		Model Number	Model Number	
29	48	T-SGPW294825L	T-SGPW294825R	749
29	54	T-SGPW295425L	T-SGPW295425R	757
29	60	T-SGPW296025L	T-SGPW296025R	884
29	66	T-SGPW296625L	T-SGPW296625R	926
29	72	T-SGPW297225L	T-SGPW297225R	981
29	78	T-SGPW297825L	T-SGPW297825R	1,037
29	84	T-SGPW298425L	T-SGPW298425R	1,091
29	90	T-SGPW299025L	T-SGPW299025R	1,147
42	48	T-SGPW424825L	T-SGPW424825R	906
42	54	T-SGPW425425L	T-SGPW425425R	950
42	60	T-SGPW426025L	T-SGPW426025R	1,063
42	66	T-SGPW426625L	T-SGPW426625R	1,137
42	72	T-SGPW427225L	T-SGPW427225R	1,178
42	78	T-SGPW427825L	T-SGPW427825R	1,223
42	84	T-SGPW428425L	T-SGPW428425R	1,264
42	90	T-SGPW429025L	T-SGPW429025R	1,308
46	48	T-SGPW464825L	T-SGPW464825R	985
46	54	T-SGPW465425L	T-SGPW465425R	1,045
46	60	T-SGPW466025L	T-SGPW466025R	1,154
46	66	T-SGPW466625L	T-SGPW466625R	1,242
46	72	T-SGPW467225L	T-SGPW467225R	1,277
46	78	T-SGPW467825L	T-SGPW467825R	1,315
46	84	T-SGPW468425L	T-SGPW468425R	1,351
46	90	T-SGPW469025L	T-SGPW469025R	1,387

25" BEAM MOUNT SINGLE SPINE FOR WING, HORIZONTAL GRAIN PATTERN				
H	W	Left	Right	List
		Model Number	Model Number	
50	48	T-SGPW504825L	T-SGPW504825R	1,062
50	54	T-SGPW505425L	T-SGPW505425R	1,141
50	60	T-SGPW506025L	T-SGPW506025R	1,245
50	66	T-SGPW506625L	T-SGPW506625R	1,346
50	72	T-SGPW507225L	T-SGPW507225R	1,376
50	78	T-SGPW507825L	T-SGPW507825R	1,408
50	84	T-SGPW508425L	T-SGPW508425R	1,437
50	90	T-SGPW509025L	T-SGPW509025R	1,467
58	48	T-SGPW584825L	T-SGPW584825R	1,115
58	54	T-SGPW585425L	T-SGPW585425R	1,171
58	60	T-SGPW586025L	T-SGPW586025R	1,270
58	66	T-SGPW586625L	T-SGPW586625R	1,369
58	72	T-SGPW587225L	T-SGPW587225R	1,466
58	78	T-SGPW587825L	T-SGPW587825R	1,564
58	84	T-SGPW588425L	T-SGPW588425R	1,663
58	90	T-SGPW589025L	T-SGPW589025R	1,762



Left Hand Shown

Specify

- Laminate with matching edge

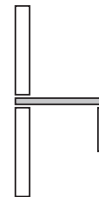
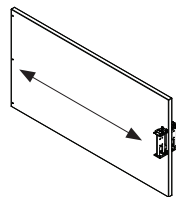
Notes

- Cannot be used freestanding, must be attached to a Beam.
- Encounter PowerBeam gallery panels are ordered specific to Beam height.
- Gallery panels add 1 1/8" between or at the end of Beam sections.
- Any gallery panel that extends more than 60" from the Beam must be tied to storage or similar support.
- Encounter PowerBench only compatible with 29"H.
- Extended panel to panel electrical jumpers must be used when jumping power through a spine mounted gallery panel.

Laminate Gallery Panels – Beam Mount Single Spine for Wing

29" BEAM MOUNT SINGLE SPINE FOR WING, HORIZONTAL GRAIN PATTERN				
H	W	Left	Right	List
		Model Number	Model Number	
29	48	T-SGPW294829L	T-SGPW294829R	749
29	54	T-SGPW295429L	T-SGPW295429R	757
29	60	T-SGPW296029L	T-SGPW296029R	884
29	66	T-SGPW296629L	T-SGPW296629R	926
29	72	T-SGPW297229L	T-SGPW297229R	981
29	78	T-SGPW297829L	T-SGPW297829R	1,037
29	84	T-SGPW298429L	T-SGPW298429R	1,091
29	90	T-SGPW299029L	T-SGPW299029R	1,147
42	48	T-SGPW424829L	T-SGPW424829R	906
42	54	T-SGPW425429L	T-SGPW425429R	950
42	60	T-SGPW426029L	T-SGPW426029R	1,063
42	66	T-SGPW426629L	T-SGPW426629R	1,137
42	72	T-SGPW427229L	T-SGPW427229R	1,178
42	78	T-SGPW427829L	T-SGPW427829R	1,223
42	84	T-SGPW428429L	T-SGPW428429R	1,264
42	90	T-SGPW429029L	T-SGPW429029R	1,308
46	48	T-SGPW464829L	T-SGPW464829R	985
46	54	T-SGPW465429L	T-SGPW465429R	1,045
46	60	T-SGPW466029L	T-SGPW466029R	1,154
46	66	T-SGPW466629L	T-SGPW466629R	1,242
46	72	T-SGPW467229L	T-SGPW467229R	1,277
46	78	T-SGPW467829L	T-SGPW467829R	1,315
46	84	T-SGPW468429L	T-SGPW468429R	1,351
46	90	T-SGPW469029L	T-SGPW469029R	1,387

29" BEAM MOUNT SINGLE SPINE FOR WING, HORIZONTAL GRAIN PATTERN				
H	W	Left	Right	List
		Model Number	Model Number	
50	48	T-SGPW504829L	T-SGPW504829R	1,062
50	54	T-SGPW505429L	T-SGPW505429R	1,141
50	60	T-SGPW506029L	T-SGPW506029R	1,245
50	66	T-SGPW506629L	T-SGPW506629R	1,346
50	72	T-SGPW507229L	T-SGPW507229R	1,376
50	78	T-SGPW507829L	T-SGPW507829R	1,408
50	84	T-SGPW508429L	T-SGPW508429R	1,437
50	90	T-SGPW509029L	T-SGPW509029R	1,467
58	48	T-SGPW584829L	T-SGPW584829R	1,115
58	54	T-SGPW585429L	T-SGPW585429R	1,171
58	60	T-SGPW586029L	T-SGPW586029R	1,270
58	66	T-SGPW586629L	T-SGPW586629R	1,369
58	72	T-SGPW587229L	T-SGPW587229R	1,466
58	78	T-SGPW587829L	T-SGPW587829R	1,564
58	84	T-SGPW588429L	T-SGPW588429R	1,663
58	90	T-SGPW589029L	T-SGPW589029R	1,762



Left Hand Shown

Specify

- Laminate with matching edge

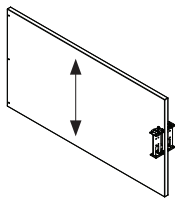
Notes

- Cannot be used freestanding, must be attached to a Beam.
- Encounter PowerBeam gallery panels are ordered specific to Beam height.
- Gallery panels add 1 1/8" between or at the end of Beam sections.
- Any gallery panel that extends more than 60" from the Beam must be tied to storage or similar support.
- Encounter PowerBench only compatible with 29"H.
- Extended panel to panel electrical jumpers must be used when jumping power through a spine mounted gallery panel.

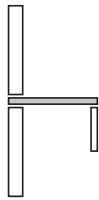
Laminate Gallery Panels – Beam Mount Single Spine for Wing

**21" BEAM MOUNT SINGLE SPINE FOR WING,
VERTICAL GRAIN PATTERN**

H	W	Left	Right	List
		Model Number	Model Number	
29	48	T-SGPW294821LV	T-SGPW294821RV	749
29	54	T-SGPW295421LV	T-SGPW295421RV	757
42	48	T-SGPW424821LV	T-SGPW424821RV	906
42	54	T-SGPW425421LV	T-SGPW425421RV	950
46	48	T-SGPW464821LV	T-SGPW464821RV	985
46	54	T-SGPW465421LV	T-SGPW465421RV	1,045
50	48	T-SGPW504821LV	T-SGPW504821RV	1,062
50	54	T-SGPW505421LV	T-SGPW505421RV	1,141



Left Hand Shown



Specify

- Laminate with matching edge

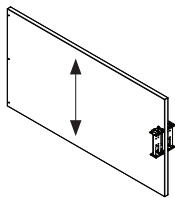
Notes

- Cannot be used freestanding, must be attached to a Beam.
- Encounter PowerBeam gallery panels are ordered specific to Beam height.
- Gallery panels add 1 1/8" between or at the end of Beam sections.
- Encounter PowerBench only compatible with 29"H.
- Extended panel to panel electrical jumpers must be used when jumping power through a spine mounted gallery panel.

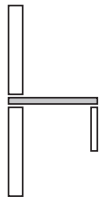
Laminate Gallery Panels – Beam Mount Single Spine for Wing

**25" BEAM MOUNT SINGLE SPINE FOR WING,
VERTICAL GRAIN PATTERN**

H	W	Left	Right	List
		Model Number	Model Number	
29	48	T-SGPW294825LV	T-SGPW294825RV	749
29	54	T-SGPW295425LV	T-SGPW295425RV	757
42	48	T-SGPW424825LV	T-SGPW424825RV	906
42	54	T-SGPW425425LV	T-SGPW425425RV	950
46	48	T-SGPW464825LV	T-SGPW464825RV	985
46	54	T-SGPW465425LV	T-SGPW465425RV	1,045
50	48	T-SGPW504825LV	T-SGPW504825RV	1,062
50	54	T-SGPW505425LV	T-SGPW505425RV	1,141
58	48	T-SGPW584825LV	T-SGPW584825RV	1,115
58	54	T-SGPW585425LV	T-SGPW585425RV	1,171



Left Hand Shown



Specify

- Laminate with matching edge

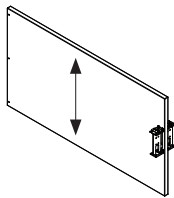
Notes

- Cannot be used freestanding, must be attached to a Beam.
- Encounter PowerBeam gallery panels are ordered specific to Beam height.
- Gallery panels add 1 1/8" between or at the end of Beam sections.
- Encounter PowerBench only compatible with 29"H.
- Extended panel to panel electrical jumpers must be used when jumping power through a spine mounted gallery panel.

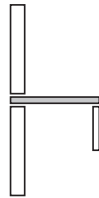
Laminate Gallery Panels – Beam Mount Single Spine for Wing

**29" BEAM MOUNT SINGLE SPINE FOR WING,
VERTICAL GRAIN PATTERN**

H	W	Left	Right	List
		Model Number	Model Number	
29	48	T-SGPW294829LV	T-SGPW294829RV	749
29	54	T-SGPW295429LV	T-SGPW295429RV	757
42	48	T-SGPW424829LV	T-SGPW424829RV	906
42	54	T-SGPW425429LV	T-SGPW425429RV	950
46	48	T-SGPW464829LV	T-SGPW464829RV	985
46	54	T-SGPW465429LV	T-SGPW465429RV	1,045
50	48	T-SGPW504829LV	T-SGPW504829RV	1,062
50	54	T-SGPW505429LV	T-SGPW505429RV	1,141
58	48	T-SGPW584829LV	T-SGPW584829RV	1,115
58	54	T-SGPW585429LV	T-SGPW585429RV	1,171



Left Hand Shown



Specify

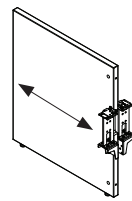
- Laminate with matching edge

Notes

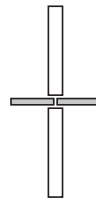
- Cannot be used freestanding, must be attached to a Beam.
- Encounter PowerBeam gallery panels are ordered specific to Beam height.
- Gallery panels add 1 1/8" between or at the end of Beam sections.
- Encounter PowerBench only compatible with 29"H.
- Extended panel to panel electrical jumpers must be used when jumping power through a spine mounted gallery panel.

Laminate Gallery Panels – Mid Mount Spine

21" MID MOUNT SPINE, HORIZONTAL GRAIN PATTERN					21" MID MOUNT SPINE, HORIZONTAL GRAIN PATTERN				
		Left	Right				Left	Right	
H	W	Model Number	Model Number	List	H	W	Model Number	Model Number	List
29	24	T-SLMS292421L	T-SLMS292421R	642	46	24	T-SLMS462421L	T-SLMS462421R	711
29	30	T-SLMS293021L	T-SLMS293021R	671	46	30	T-SLMS463021L	T-SLMS463021R	771
29	36	T-SLMS293621L	T-SLMS293621R	692	46	36	T-SLMS463621L	T-SLMS463621R	830
29	42	T-SLMS294221L	T-SLMS294221R	705	46	42	T-SLMS464221L	T-SLMS464221R	889
29	48	T-SLMS294821L	T-SLMS294821R	714	46	48	T-SLMS464821L	T-SLMS464821R	950
29	54	T-SLMS295421L	T-SLMS295421R	724	46	54	T-SLMS465421L	T-SLMS465421R	1,010
29	60	T-SLMS296021L	T-SLMS296021R	851	46	60	T-SLMS466021L	T-SLMS466021R	1,120
29	66	T-SLMS296621L	T-SLMS296621R	892	46	66	T-SLMS466621L	T-SLMS466621R	1,207
29	72	T-SLMS297221L	T-SLMS297221R	948	46	72	T-SLMS467221L	T-SLMS467221R	1,244
29	78	T-SLMS297821L	T-SLMS297821R	1,004	46	78	T-SLMS467821L	T-SLMS467821R	1,281
29	84	T-SLMS298421L	T-SLMS298421R	1,059	46	84	T-SLMS468421L	T-SLMS468421R	1,317
29	90	T-SLMS299021L	T-SLMS299021R	1,114	46	90	T-SLMS469021L	T-SLMS469021R	1,354
42	24	T-SLMS422421L	T-SLMS422421R	690	50	24	T-SLMS502421L	T-SLMS502421R	733
42	30	T-SLMS423021L	T-SLMS423021R	738	50	30	T-SLMS503021L	T-SLMS503021R	805
42	36	T-SLMS423621L	T-SLMS423621R	783	50	36	T-SLMS503621L	T-SLMS503621R	876
42	42	T-SLMS424221L	T-SLMS424221R	827	50	42	T-SLMS504221L	T-SLMS504221R	951
42	48	T-SLMS424821L	T-SLMS424821R	873	50	48	T-SLMS504821L	T-SLMS504821R	1,029
42	54	T-SLMS425421L	T-SLMS425421R	915	50	54	T-SLMS505421L	T-SLMS505421R	1,107
42	60	T-SLMS426021L	T-SLMS426021R	1,030	50	60	T-SLMS506021L	T-SLMS506021R	1,211
42	66	T-SLMS426621L	T-SLMS426621R	1,102	50	66	T-SLMS506621L	T-SLMS506621R	1,312
42	72	T-SLMS427221L	T-SLMS427221R	1,145	50	72	T-SLMS507221L	T-SLMS507221R	1,344
42	78	T-SLMS427821L	T-SLMS427821R	1,188	50	78	T-SLMS507821L	T-SLMS507821R	1,373
42	84	T-SLMS428421L	T-SLMS428421R	1,231	50	84	T-SLMS508421L	T-SLMS508421R	1,403
42	90	T-SLMS429021L	T-SLMS429021R	1,274	50	90	T-SLMS509021L	T-SLMS509021R	1,432



Left Hand Shown



Specify

- Select paint
- Laminate with matching edge

Notes

- Cannot be used freestanding, must be attached to a Beam.
- Encounter PowerBeam gallery panels are ordered specific to Beam height.
- Gallery panels add 1 1/8" between or at the end of Beam sections.
- Any gallery panel that extends more than 60" from the Beam must be tied to storage or similar support.
- Encounter PowerBench only compatible with 29"H.
- Mid mounts are not compatible with PowerBench.
- Extended panel to panel electrical jumpers must be used when jumping power through a spine mounted gallery panel.

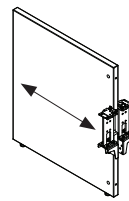
Laminate Gallery Panels – Mid Mount Spine

25" MID MOUNT SPINE, HORIZONTAL GRAIN PATTERN

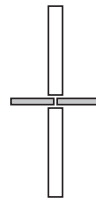
H	W	25" MID MOUNT SPINE, HORIZONTAL GRAIN PATTERN		List
		Left	Right	
		Model Number	Model Number	
29	24	T-SLMS292425L	T-SLMS292425R	642
29	30	T-SLMS293025L	T-SLMS293025R	671
29	36	T-SLMS293625L	T-SLMS293625R	692
29	42	T-SLMS294225L	T-SLMS294225R	705
29	48	T-SLMS294825L	T-SLMS294825R	714
29	54	T-SLMS295425L	T-SLMS295425R	724
29	60	T-SLMS296025L	T-SLMS296025R	851
29	66	T-SLMS296625L	T-SLMS296625R	892
29	72	T-SLMS297225L	T-SLMS297225R	948
29	78	T-SLMS297825L	T-SLMS297825R	1,004
29	84	T-SLMS298425L	T-SLMS298425R	1,059
29	90	T-SLMS299025L	T-SLMS299025R	1,114
42	24	T-SLMS422425L	T-SLMS422425R	690
42	30	T-SLMS423025L	T-SLMS423025R	738
42	36	T-SLMS423625L	T-SLMS423625R	783
42	42	T-SLMS424225L	T-SLMS424225R	827
42	48	T-SLMS424825L	T-SLMS424825R	873
42	54	T-SLMS425425L	T-SLMS425425R	915
42	60	T-SLMS426025L	T-SLMS426025R	1,030
42	66	T-SLMS426625L	T-SLMS426625R	1,102
42	72	T-SLMS427225L	T-SLMS427225R	1,145
42	78	T-SLMS427825L	T-SLMS427825R	1,188
42	84	T-SLMS428425L	T-SLMS428425R	1,231
42	90	T-SLMS429025L	T-SLMS429025R	1,274

25" MID MOUNT SPINE, HORIZONTAL GRAIN PATTERN

H	W	25" MID MOUNT SPINE, HORIZONTAL GRAIN PATTERN		List
		Left	Right	
		Model Number	Model Number	
46	24	T-SLMS462425L	T-SLMS462425R	711
46	30	T-SLMS463025L	T-SLMS463025R	771
46	36	T-SLMS463625L	T-SLMS463625R	830
46	42	T-SLMS464225L	T-SLMS464225R	889
46	48	T-SLMS464825L	T-SLMS464825R	950
46	54	T-SLMS465425L	T-SLMS465425R	1,010
46	60	T-SLMS466025L	T-SLMS466025R	1,120
46	66	T-SLMS466625L	T-SLMS466625R	1,207
46	72	T-SLMS467225L	T-SLMS467225R	1,244
46	78	T-SLMS467825L	T-SLMS467825R	1,281
46	84	T-SLMS468425L	T-SLMS468425R	1,317
46	90	T-SLMS469025L	T-SLMS469025R	1,354
50	24	T-SLMS502425L	T-SLMS502425R	733
50	30	T-SLMS503025L	T-SLMS503025R	805
50	36	T-SLMS503625L	T-SLMS503625R	876
50	42	T-SLMS504225L	T-SLMS504225R	951
50	48	T-SLMS504825L	T-SLMS504825R	1,029
50	54	T-SLMS505425L	T-SLMS505425R	1,107
50	60	T-SLMS506025L	T-SLMS506025R	1,211
50	66	T-SLMS506625L	T-SLMS506625R	1,312
50	72	T-SLMS507225L	T-SLMS507225R	1,344
50	78	T-SLMS507825L	T-SLMS507825R	1,373
50	84	T-SLMS508425L	T-SLMS508425R	1,403
50	90	T-SLMS509025L	T-SLMS509025R	1,432



Left Hand Shown



Specify

- Select paint
- Laminate with matching edge

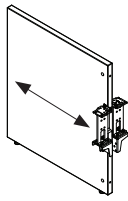
Notes

- Cannot be used freestanding, must be attached to a Beam.
- Encounter PowerBeam gallery panels are ordered specific to Beam height.
- Gallery panels add 1 1/8" between or at the end of Beam sections.
- Any gallery panel that extends more than 60" from the Beam must be tied to storage or similar support.
- Encounter PowerBench only compatible with 29"H.
- Mid mounts are not compatible with PowerBench.
- Extended panel to panel electrical jumpers must be used when jumping power through a spine mounted gallery panel.

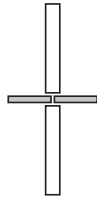
Laminate Gallery Panels – Mid Mount Spine

25" MID MOUNT SPINE, HORIZONTAL GRAIN PATTERN

H	W	Left	Right	List
		Model Number	Model Number	
58	24	T-SLMS582425L	T-SLMS582425R	813
58	30	T-SLMS583025L	T-SLMS583025R	888
58	36	T-SLMS583625L	T-SLMS583625R	954
58	42	T-SLMS584225L	T-SLMS584225R	1,028
58	48	T-SLMS584825L	T-SLMS584825R	1,083
58	54	T-SLMS585425L	T-SLMS585425R	1,137
58	60	T-SLMS586025L	T-SLMS586025R	1,236
58	66	T-SLMS586625L	T-SLMS586625R	1,333
58	72	T-SLMS587225L	T-SLMS587225R	1,431
58	78	T-SLMS587825L	T-SLMS587825R	1,530
58	84	T-SLMS588425L	T-SLMS588425R	1,629
58	90	T-SLMS589025L	T-SLMS589025R	1,726



Left Hand Shown



Specify

- Select paint
- Laminate with matching edge

Notes

- Cannot be used freestanding, must be attached to a Beam.
- Encounter PowerBeam gallery panels are ordered specific to Beam height.
- Gallery panels add 1 1/8" between or at the end of Beam sections.
- Any gallery panel that extends more than 60" from the Beam must be tied to storage or similar support.
- Encounter PowerBench only compatible with 29"H.
- Mid mounts are not compatible with PowerBench.
- Extended panel to panel electrical jumpers must be used when jumping power through a spine mounted gallery panel.

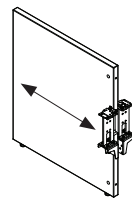
Laminate Gallery Panels – Mid Mount Spine

29" MID MOUNT SPINE, HORIZONTAL GRAIN PATTERN

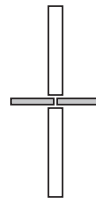
H	W	Left	Right	List
		Model Number	Model Number	
29	24	T-SLMS292429L	T-SLMS292429R	642
29	30	T-SLMS293029L	T-SLMS293029R	671
29	36	T-SLMS293629L	T-SLMS293629R	692
29	42	T-SLMS294229L	T-SLMS294229R	705
29	48	T-SLMS294829L	T-SLMS294829R	714
29	54	T-SLMS295429L	T-SLMS295429R	724
29	60	T-SLMS296029L	T-SLMS296029R	851
29	66	T-SLMS296629L	T-SLMS296629R	892
29	72	T-SLMS297229L	T-SLMS297229R	948
29	78	T-SLMS297829L	T-SLMS297829R	1,004
29	84	T-SLMS298429L	T-SLMS298429R	1,059
29	90	T-SLMS299029L	T-SLMS299029R	1,114
42	24	T-SLMS422429L	T-SLMS422429R	690
42	30	T-SLMS423029L	T-SLMS423029R	738
42	36	T-SLMS423629L	T-SLMS423629R	783
42	42	T-SLMS424229L	T-SLMS424229R	827
42	48	T-SLMS424829L	T-SLMS424829R	873
42	54	T-SLMS425429L	T-SLMS425429R	915
42	60	T-SLMS426029L	T-SLMS426029R	1,030
42	66	T-SLMS426629L	T-SLMS426629R	1,102
42	72	T-SLMS427229L	T-SLMS427229R	1,145
42	78	T-SLMS427829L	T-SLMS427829R	1,188
42	84	T-SLMS428429L	T-SLMS428429R	1,231
42	90	T-SLMS429029L	T-SLMS429029R	1,274

29" MID MOUNT SPINE, HORIZONTAL GRAIN PATTERN

H	W	Left	Right	List
		Model Number	Model Number	
46	24	T-SLMS462429L	T-SLMS462429R	711
46	30	T-SLMS463029L	T-SLMS463029R	771
46	36	T-SLMS463629L	T-SLMS463629R	830
46	42	T-SLMS464229L	T-SLMS464229R	889
46	48	T-SLMS464829L	T-SLMS464829R	950
46	54	T-SLMS465429L	T-SLMS465429R	1,010
46	60	T-SLMS466029L	T-SLMS466029R	1,120
46	66	T-SLMS466629L	T-SLMS466629R	1,207
46	72	T-SLMS467229L	T-SLMS467229R	1,244
46	78	T-SLMS467829L	T-SLMS467829R	1,281
46	84	T-SLMS468429L	T-SLMS468429R	1,317
46	90	T-SLMS469029L	T-SLMS469029R	1,354
50	24	T-SLMS502429L	T-SLMS502429R	733
50	30	T-SLMS503029L	T-SLMS503029R	805
50	36	T-SLMS503629L	T-SLMS503629R	876
50	42	T-SLMS504229L	T-SLMS504229R	951
50	48	T-SLMS504829L	T-SLMS504829R	1,029
50	54	T-SLMS505429L	T-SLMS505429R	1,107
50	60	T-SLMS506029L	T-SLMS506029R	1,211
50	66	T-SLMS506629L	T-SLMS506629R	1,312
50	72	T-SLMS507229L	T-SLMS507229R	1,344
50	78	T-SLMS507829L	T-SLMS507829R	1,373
50	84	T-SLMS508429L	T-SLMS508429R	1,403
50	90	T-SLMS509029L	T-SLMS509029R	1,432



Left Hand Shown



Specify

- Select paint
- Laminate with matching edge

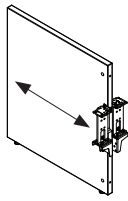
Notes

- Cannot be used freestanding, must be attached to a Beam.
- Encounter PowerBeam gallery panels are ordered specific to Beam height.
- Gallery panels add 1 1/8" between or at the end of Beam sections.
- Any gallery panel that extends more than 60" from the Beam must be tied to storage or similar support.
- Encounter PowerBench only compatible with 29"H.
- Mid mounts are not compatible with PowerBench.
- Extended panel to panel electrical jumpers must be used when jumping power through a spine mounted gallery panel.

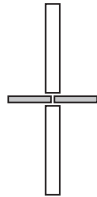
Laminate Gallery Panels – Mid Mount Spine

29" MID MOUNT SPINE, HORIZONTAL GRAIN PATTERN

H	W	Left	Right	List
		Model Number	Model Number	
58	24	T-SLMS582429L	T-SLMS582429R	813
58	30	T-SLMS583029L	T-SLMS583029R	888
58	36	T-SLMS583629L	T-SLMS583629R	954
58	42	T-SLMS584229L	T-SLMS584229R	1,028
58	48	T-SLMS584829L	T-SLMS584829R	1,083
58	54	T-SLMS585429L	T-SLMS585429R	1,137
58	60	T-SLMS586029L	T-SLMS586029R	1,236
58	66	T-SLMS586629L	T-SLMS586629R	1,333
58	72	T-SLMS587229L	T-SLMS587229R	1,431
58	78	T-SLMS587829L	T-SLMS587829R	1,530
58	84	T-SLMS588429L	T-SLMS588429R	1,629
58	90	T-SLMS589029L	T-SLMS589029R	1,726



Left Hand Shown



Specify

- Select paint
- Laminate with matching edge

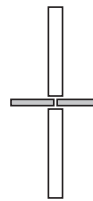
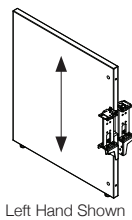
Notes

- Cannot be used freestanding, must be attached to a Beam.
- Encounter PowerBeam gallery panels are ordered specific to Beam height.
- Gallery panels add 1 1/8" between or at the end of Beam sections.
- Any gallery panel that extends more than 60" from the Beam must be tied to storage or similar support.
- Encounter PowerBench only compatible with 29"H.
- Mid mounts are not compatible with PowerBench.
- Extended panel to panel electrical jumpers must be used when jumping power through a spine mounted gallery panel.

Laminate Gallery Panels – Mid Mount Spine

21" MID MOUNT SPINE, VERTICAL GRAIN PATTERN				
		Left	Right	
H	W	Model Number	Model Number	List
29	24	T-SLMS292421LV	T-SLMS292421RV	642
29	30	T-SLMS293021LV	T-SLMS293021RV	671
29	36	T-SLMS293621LV	T-SLMS293621RV	692
29	42	T-SLMS294221LV	T-SLMS294221RV	705
29	48	T-SLMS294821LV	T-SLMS294821RV	714
29	54	T-SLMS295421LV	T-SLMS295421RV	724
42	24	T-SLMS422421LV	T-SLMS422421RV	690
42	30	T-SLMS423021LV	T-SLMS423021RV	738
42	36	T-SLMS423621LV	T-SLMS423621RV	783
42	42	T-SLMS424221LV	T-SLMS424221RV	827
42	48	T-SLMS424821LV	T-SLMS424821RV	873
42	54	T-SLMS425421LV	T-SLMS425421RV	915

21" MID MOUNT SPINE, VERTICAL GRAIN PATTERN				
		Left	Right	
H	W	Model Number	Model Number	List
46	24	T-SLMS462421LV	T-SLMS462421RV	711
46	30	T-SLMS463021LV	T-SLMS463021RV	771
46	36	T-SLMS463621LV	T-SLMS463621RV	830
46	42	T-SLMS464221LV	T-SLMS464221RV	889
46	48	T-SLMS464821LV	T-SLMS464821RV	950
46	54	T-SLMS465421LV	T-SLMS465421RV	1,010
50	24	T-SLMS502421LV	T-SLMS502421RV	733
50	30	T-SLMS503021LV	T-SLMS503021RV	805
50	36	T-SLMS503621LV	T-SLMS503621RV	876
50	42	T-SLMS504221LV	T-SLMS504221RV	951
50	48	T-SLMS504821LV	T-SLMS504821RV	1,029
50	54	T-SLMS505421LV	T-SLMS505421RV	1,107



Specify

- Select paint
- Laminate with matching edge

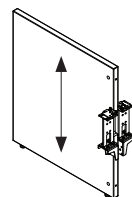
Notes

- Cannot be used freestanding, must be attached to a Beam.
- Encounter PowerBeam gallery panels are ordered specific to Beam height.
- Gallery panels add 1 1/8" between or at the end of Beam sections.
- Encounter PowerBench only compatible with 29"H.
- Mid mounts are not compatible with PowerBench.
- Extended panel to panel electrical jumpers must be used when jumping power through a spine mounted gallery panel.

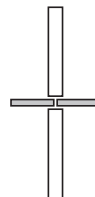
Laminate Gallery Panels – Mid Mount Spine

25" MID MOUNT SPINE, VERTICAL GRAIN PATTERN				
		Left	Right	
H	W	Model Number	Model Number	List
29	24	T-SLMS292425LV	T-SLMS292425RV	642
29	30	T-SLMS293025LV	T-SLMS293025RV	671
29	36	T-SLMS293625LV	T-SLMS293625RV	692
29	42	T-SLMS294225LV	T-SLMS294225RV	705
29	48	T-SLMS294825LV	T-SLMS294825RV	714
29	54	T-SLMS295425LV	T-SLMS295425RV	724
42	24	T-SLMS422425LV	T-SLMS422425RV	690
42	30	T-SLMS423025LV	T-SLMS423025RV	738
42	36	T-SLMS423625LV	T-SLMS423625RV	783
42	42	T-SLMS424225LV	T-SLMS424225RV	827
42	48	T-SLMS424825LV	T-SLMS424825RV	873
42	54	T-SLMS425425LV	T-SLMS425425RV	915
46	24	T-SLMS462425LV	T-SLMS462425RV	711
46	30	T-SLMS463025LV	T-SLMS463025RV	771
46	36	T-SLMS463625LV	T-SLMS463625RV	830
46	42	T-SLMS464225LV	T-SLMS464225RV	889
46	48	T-SLMS464825LV	T-SLMS464825RV	950
46	54	T-SLMS465425LV	T-SLMS465425RV	1,010

25" MID MOUNT SPINE, VERTICAL GRAIN PATTERN				
		Left	Right	
H	W	Model Number	Model Number	List
50	24	T-SLMS502425LV	T-SLMS502425RV	733
50	30	T-SLMS503025LV	T-SLMS503025RV	805
50	36	T-SLMS503625LV	T-SLMS503625RV	876
50	42	T-SLMS504225LV	T-SLMS504225RV	951
50	48	T-SLMS504825LV	T-SLMS504825RV	1,029
50	54	T-SLMS505425LV	T-SLMS505425RV	1,107
58	24	T-SLMS582425LV	T-SLMS582425RV	813
58	30	T-SLMS583025LV	T-SLMS583025RV	888
58	36	T-SLMS583625LV	T-SLMS583625RV	954
58	42	T-SLMS584225LV	T-SLMS584225RV	1,028
58	48	T-SLMS584825LV	T-SLMS584825RV	1,083
58	54	T-SLMS585425LV	T-SLMS585425RV	1,137



Left Hand Shown



Specify

- Select paint
- Laminate with matching edge

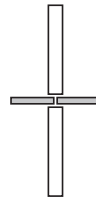
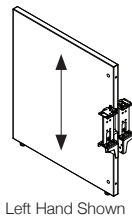
Notes

- Cannot be used freestanding, must be attached to a Beam.
- Encounter PowerBeam gallery panels are ordered specific to Beam height.
- Gallery panels add 1 1/8" between or at the end of Beam sections.
- Encounter PowerBench only compatible with 29"H.
- Mid mounts are not compatible with PowerBench.
- Extended panel to panel electrical jumpers must be used when jumping power through a spine mounted gallery panel.

Laminate Gallery Panels – Mid Mount Spine

29" MID MOUNT SPINE, VERTICAL GRAIN PATTERN				
		Left	Right	
H	W	Model Number	Model Number	List
29	24	T-SLMS292429LV	T-SLMS292429RV	642
29	30	T-SLMS293029LV	T-SLMS293029RV	671
29	36	T-SLMS293629LV	T-SLMS293629RV	692
29	42	T-SLMS294229LV	T-SLMS294229RV	705
29	48	T-SLMS294829LV	T-SLMS294829RV	714
29	54	T-SLMS295429LV	T-SLMS295429RV	724
42	24	T-SLMS422429LV	T-SLMS422429RV	690
42	30	T-SLMS423029LV	T-SLMS423029RV	738
42	36	T-SLMS423629LV	T-SLMS423629RV	783
42	42	T-SLMS424229LV	T-SLMS424229RV	827
42	48	T-SLMS424829LV	T-SLMS424829RV	873
42	54	T-SLMS425429LV	T-SLMS425429RV	915
46	24	T-SLMS462429LV	T-SLMS462429RV	711
46	30	T-SLMS463029LV	T-SLMS463029RV	771
46	36	T-SLMS463629LV	T-SLMS463629RV	830
46	42	T-SLMS464229LV	T-SLMS464229RV	889
46	48	T-SLMS464829LV	T-SLMS464829RV	950
46	54	T-SLMS465429LV	T-SLMS465429RV	1,010

29" MID MOUNT SPINE, VERTICAL GRAIN PATTERN				
		Left	Right	
H	W	Model Number	Model Number	List
50	24	T-SLMS502429LV	T-SLMS502429RV	733
50	30	T-SLMS503029LV	T-SLMS503029RV	805
50	36	T-SLMS503629LV	T-SLMS503629RV	876
50	42	T-SLMS504229LV	T-SLMS504229RV	951
50	48	T-SLMS504829LV	T-SLMS504829RV	1,029
50	54	T-SLMS505429LV	T-SLMS505429RV	1,107
58	24	T-SLMS582429LV	T-SLMS582429RV	813
58	30	T-SLMS583029LV	T-SLMS583029RV	888
58	36	T-SLMS583629LV	T-SLMS583629RV	954
58	42	T-SLMS584229LV	T-SLMS584229RV	1,028
58	48	T-SLMS584829LV	T-SLMS584829RV	1,083
58	54	T-SLMS585429LV	T-SLMS585429RV	1,137



Left Hand Shown

Specify

- Select paint
- Laminate with matching edge

Notes

- Cannot be used freestanding, must be attached to a Beam.
- Encounter PowerBeam gallery panels are ordered specific to Beam height.
- Gallery panels add 1 1/8" between or at the end of Beam sections.
- Encounter PowerBench only compatible with 29"H.
- Mid mounts are not compatible with PowerBench.
- Extended panel to panel electrical jumpers must be used when jumping power through a spine mounted gallery panel.

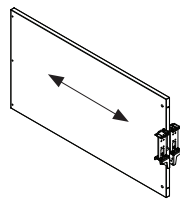
Laminate Gallery Panels – Mid Mount Spine for Wing

21" MID MOUNT SPINE FOR WING, HORIZONTAL GRAIN PATTERN

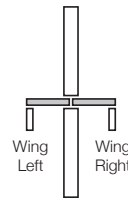
H	W	Left	Right	List
		Model Number	Model Number	
29	48	T-SMWS294821L	T-SMWS294821R	714
29	54	T-SMWS295421L	T-SMWS295421R	724
29	60	T-SMWS296021L	T-SMWS296021R	851
29	66	T-SMWS296621L	T-SMWS296621R	892
29	72	T-SMWS297221L	T-SMWS297221R	948
29	78	T-SMWS297821L	T-SMWS297821R	1,004
29	84	T-SMWS298421L	T-SMWS298421R	1,059
29	90	T-SMWS299021L	T-SMWS299021R	1,114
42	48	T-SMWS424821L	T-SMWS424821R	873
42	54	T-SMWS425421L	T-SMWS425421R	915
42	60	T-SMWS426021L	T-SMWS426021R	1,030
42	66	T-SMWS426621L	T-SMWS426621R	1,102
42	72	T-SMWS427221L	T-SMWS427221R	1,145
42	78	T-SMWS427821L	T-SMWS427821R	1,188
42	84	T-SMWS428421L	T-SMWS428421R	1,231
42	90	T-SMWS429021L	T-SMWS429021R	1,274

21" MID MOUNT SPINE FOR WING, HORIZONTAL GRAIN PATTERN

H	W	Left	Right	List
		Model Number	Model Number	
46	48	T-SMWS464821L	T-SMWS464821R	966
46	54	T-SMWS465421L	T-SMWS465421R	1,029
46	60	T-SMWS466021L	T-SMWS466021R	1,137
46	66	T-SMWS466621L	T-SMWS466621R	1,225
46	72	T-SMWS467221L	T-SMWS467221R	1,260
46	78	T-SMWS467821L	T-SMWS467821R	1,298
46	84	T-SMWS468421L	T-SMWS468421R	1,333
46	90	T-SMWS469021L	T-SMWS469021R	1,371
50	48	T-SMWS504821L	T-SMWS504821R	1,062
50	54	T-SMWS505421L	T-SMWS505421R	1,141
50	60	T-SMWS506021L	T-SMWS506021R	1,245
50	66	T-SMWS506621L	T-SMWS506621R	1,346
50	72	T-SMWS507221L	T-SMWS507221R	1,376
50	78	T-SMWS507821L	T-SMWS507821R	1,408
50	84	T-SMWS508421L	T-SMWS508421R	1,437
50	90	T-SMWS509021L	T-SMWS509021R	1,467



Left Hand Shown



Specify

- Select paint
- Laminate with matching edge

Notes

- Cannot be used freestanding, must be attached to a Beam.
- Encounter PowerBeam gallery panels are ordered specific to Beam height.
- Gallery panels add 1 1/8" between or at the end of Beam sections.
- Any gallery panel that extends more than 60" from the Beam must be tied to storage or similar support.
- Encounter PowerBench only compatible with 29"H.
- Mid mounts are not compatible with PowerBench.
- Extended panel to panel electrical jumpers must be used when jumping power through a spine mounted gallery panel.

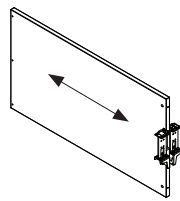
Laminate Gallery Panels – Mid Mount Spine for Wing

25" MID MOUNT SPINE FOR WING, HORIZONTAL GRAIN PATTERN

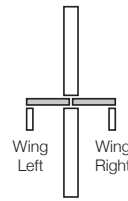
H	W	Left	Right	List
		Model Number	Model Number	
29	48	T-SMWS294825L	T-SMWS294825R	714
29	54	T-SMWS295425L	T-SMWS295425R	724
29	60	T-SMWS296025L	T-SMWS296025R	851
29	66	T-SMWS296625L	T-SMWS296625R	892
29	72	T-SMWS297225L	T-SMWS297225R	948
29	78	T-SMWS297825L	T-SMWS297825R	1,004
29	84	T-SMWS298425L	T-SMWS298425R	1,059
29	90	T-SMWS299025L	T-SMWS299025R	1,114
42	48	T-SMWS424825L	T-SMWS424825R	873
42	54	T-SMWS425425L	T-SMWS425425R	915
42	60	T-SMWS426025L	T-SMWS426025R	1,030
42	66	T-SMWS426625L	T-SMWS426625R	1,102
42	72	T-SMWS427225L	T-SMWS427225R	1,145
42	78	T-SMWS427825L	T-SMWS427825R	1,188
42	84	T-SMWS428425L	T-SMWS428425R	1,231
42	90	T-SMWS429025L	T-SMWS429025R	1,274
46	48	T-SMWS464825L	T-SMWS464825R	966
46	54	T-SMWS465425L	T-SMWS465425R	1,029
46	60	T-SMWS466025L	T-SMWS466025R	1,137
46	66	T-SMWS466625L	T-SMWS466625R	1,225
46	72	T-SMWS467225L	T-SMWS467225R	1,260
46	78	T-SMWS467825L	T-SMWS467825R	1,298
46	84	T-SMWS468425L	T-SMWS468425R	1,333
46	90	T-SMWS469025L	T-SMWS469025R	1,371

25" MID MOUNT SPINE FOR WING, HORIZONTAL GRAIN PATTERN

H	W	Left	Right	List
		Model Number	Model Number	
50	48	T-SMWS504825L	T-SMWS504825R	1,062
50	54	T-SMWS505425L	T-SMWS505425R	1,141
50	60	T-SMWS506025L	T-SMWS506025R	1,245
50	66	T-SMWS506625L	T-SMWS506625R	1,346
50	72	T-SMWS507225L	T-SMWS507225R	1,376
50	78	T-SMWS507825L	T-SMWS507825R	1,408
50	84	T-SMWS508425L	T-SMWS508425R	1,437
50	90	T-SMWS509025L	T-SMWS509025R	1,467
58	48	T-SMWS584825L	T-SMWS584825R	1,115
58	54	T-SMWS585425L	T-SMWS585425R	1,171
58	60	T-SMWS586025L	T-SMWS586025R	1,270
58	66	T-SMWS586625L	T-SMWS586625R	1,369
58	72	T-SMWS587225L	T-SMWS587225R	1,466
58	78	T-SMWS587825L	T-SMWS587825R	1,564
58	84	T-SMWS588425L	T-SMWS588425R	1,663
58	90	T-SMWS589025L	T-SMWS589025R	1,762



Left Hand Shown



Specify

- Select paint
- Laminate with matching edge

Notes

- Cannot be used freestanding, must be attached to a Beam.
- Encounter PowerBeam gallery panels are ordered specific to Beam height.
- Gallery panels add 1 1/8" between or at the end of Beam sections.
- Any gallery panel that extends more than 60" from the Beam must be tied to storage or similar support.
- Encounter PowerBench only compatible with 29"H.
- Mid mounts are not compatible with PowerBench.
- Extended panel to panel electrical jumpers must be used when jumping power through a spine mounted gallery panel.

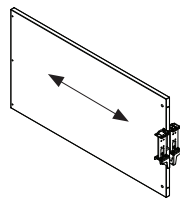
Laminate Gallery Panels – Mid Mount Spine for Wing

29" MID MOUNT SPINE FOR WING, HORIZONTAL GRAIN PATTERN

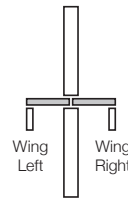
H	W	Left	Right	List
		Model Number	Model Number	
29	48	T-SMWS294829L	T-SMWS294829R	714
29	54	T-SMWS295429L	T-SMWS295429R	724
29	60	T-SMWS296029L	T-SMWS296029R	851
29	66	T-SMWS296629L	T-SMWS296629R	892
29	72	T-SMWS297229L	T-SMWS297229R	948
29	78	T-SMWS297829L	T-SMWS297829R	1,004
29	84	T-SMWS298429L	T-SMWS298429R	1,059
29	90	T-SMWS299029L	T-SMWS299029R	1,114
42	48	T-SMWS424829L	T-SMWS424829R	873
42	54	T-SMWS425429L	T-SMWS425429R	915
42	60	T-SMWS426029L	T-SMWS426029R	1,030
42	66	T-SMWS426629L	T-SMWS426629R	1,102
42	72	T-SMWS427229L	T-SMWS427229R	1,145
42	78	T-SMWS427829L	T-SMWS427829R	1,188
42	84	T-SMWS428429L	T-SMWS428429R	1,231
42	90	T-SMWS429029L	T-SMWS429029R	1,274
46	48	T-SMWS464829L	T-SMWS464829R	966
46	54	T-SMWS465429L	T-SMWS465429R	1,029
46	60	T-SMWS466029L	T-SMWS466029R	1,137
46	66	T-SMWS466629L	T-SMWS466629R	1,225
46	72	T-SMWS467229L	T-SMWS467229R	1,260
46	78	T-SMWS467829L	T-SMWS467829R	1,298
46	84	T-SMWS468429L	T-SMWS468429R	1,333
46	90	T-SMWS469029L	T-SMWS469029R	1,371

29" MID MOUNT SPINE FOR WING, HORIZONTAL GRAIN PATTERN

H	W	Left	Right	List
		Model Number	Model Number	
50	48	T-SMWS504829L	T-SMWS504829R	1,062
50	54	T-SMWS505429L	T-SMWS505429R	1,141
50	60	T-SMWS506029L	T-SMWS506029R	1,245
50	66	T-SMWS506629L	T-SMWS506629R	1,346
50	72	T-SMWS507229L	T-SMWS507229R	1,376
50	78	T-SMWS507829L	T-SMWS507829R	1,408
50	84	T-SMWS508429L	T-SMWS508429R	1,437
50	90	T-SMWS509029L	T-SMWS509029R	1,467
58	48	T-SMWS584829L	T-SMWS584829R	1,115
58	54	T-SMWS585429L	T-SMWS585429R	1,171
58	60	T-SMWS586029L	T-SMWS586029R	1,270
58	66	T-SMWS586629L	T-SMWS586629R	1,369
58	72	T-SMWS587229L	T-SMWS587229R	1,466
58	78	T-SMWS587829L	T-SMWS587829R	1,564
58	84	T-SMWS588429L	T-SMWS588429R	1,663
58	90	T-SMWS589029L	T-SMWS589029R	1,762



Left Hand Shown



Specify

- Select paint
- Laminate with matching edge

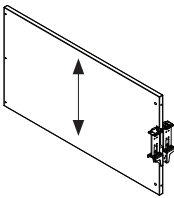
Notes

- Cannot be used freestanding, must be attached to a Beam.
- Encounter PowerBeam gallery panels are ordered specific to Beam height.
- Gallery panels add 1 1/8" between or at the end of Beam sections.
- Any gallery panel that extends more than 60" from the Beam must be tied to storage or similar support.
- Encounter PowerBench only compatible with 29"H.
- Mid mounts are not compatible with PowerBench.
- Extended panel to panel electrical jumpers must be used when jumping power through a spine mounted gallery panel.

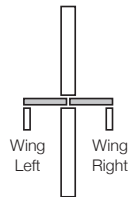
Laminate Gallery Panels – Mid Mount Spine for Wing

21" MID MOUNT SPINE FOR WING, VERTICAL GRAIN PATTERN

H	W	Left	Right	List
		Model Number	Model Number	
29	48	T-SMWS294821LV	T-SMWS294821RV	749
29	54	T-SMWS295421LV	T-SMWS295421RV	757
42	48	T-SMWS424821LV	T-SMWS424821RV	906
42	54	T-SMWS425421LV	T-SMWS425421RV	950
46	48	T-SMWS464821LV	T-SMWS464821RV	985
46	54	T-SMWS465421LV	T-SMWS465421RV	1,045
50	48	T-SMWS504821LV	T-SMWS504821RV	1,062
50	54	T-SMWS505421LV	T-SMWS505421RV	1,141



Left Hand Shown



Specify

- Select paint
- Laminate with matching edge

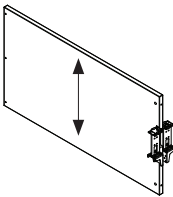
Notes

- Cannot be used freestanding, must be attached to a Beam.
- Encounter PowerBeam gallery panels are ordered specific to Beam height.
- Gallery panels add 1 1/8" between or at the end of Beam sections.
- Encounter PowerBench only compatible with 29"H.
- Mid mounts are not compatible with PowerBench.
- Extended panel to panel electrical jumpers must be used when jumping power through a spine mounted gallery panel.

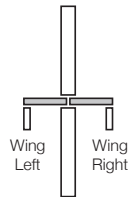
Laminate Gallery Panels – Mid Mount Spine for Wing

25" MID MOUNT SPINE FOR WING, VERTICAL GRAIN PATTERN

H	W	Left	Right	List
		Model Number	Model Number	
29	48	T-SMWS294825LV	T-SMWS294825RV	749
29	54	T-SMWS295425LV	T-SMWS295425RV	757
42	48	T-SMWS424825LV	T-SMWS424825RV	906
42	54	T-SMWS425425LV	T-SMWS425425RV	950
46	48	T-SMWS464825LV	T-SMWS464825RV	985
46	54	T-SMWS465425LV	T-SMWS465425RV	1,045
50	48	T-SMWS504825LV	T-SMWS504825RV	1,062
50	54	T-SMWS505425LV	T-SMWS505425RV	1,141
58	48	T-SMWS584825LV	T-SMWS584825RV	1,115
58	54	T-SMWS585425LV	T-SMWS585425RV	1,171



Left Hand Shown



Specify

- Select paint
- Laminate with matching edge

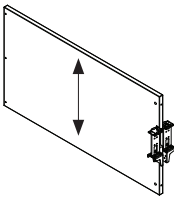
Notes

- Cannot be used freestanding, must be attached to a Beam.
- Encounter PowerBeam gallery panels are ordered specific to Beam height.
- Gallery panels add 1 1/8" between or at the end of Beam sections.
- Encounter PowerBench only compatible with 29"H.
- Mid mounts are not compatible with PowerBench.
- Extended panel to panel electrical jumpers must be used when jumping power through a spine mounted gallery panel.

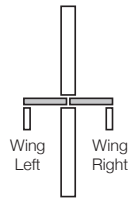
Laminate Gallery Panels – Mid Mount Spine for Wing

29" MID MOUNT SPINE FOR WING, VERTICAL GRAIN PATTERN

H	W	Left	Right	List
		Model Number	Model Number	
29	48	T-SMWS294829LV	T-SMWS294829RV	749
29	54	T-SMWS295429LV	T-SMWS295429RV	757
42	48	T-SMWS424829LV	T-SMWS424829RV	906
42	54	T-SMWS425429LV	T-SMWS425429RV	950
46	48	T-SMWS464829LV	T-SMWS464829RV	985
46	54	T-SMWS465429LV	T-SMWS465429RV	1,045
50	48	T-SMWS504829LV	T-SMWS504829RV	1,062
50	54	T-SMWS505429LV	T-SMWS505429RV	1,141
58	48	T-SMWS584829LV	T-SMWS584829RV	1,115
58	54	T-SMWS585429LV	T-SMWS585429RV	1,171



Left Hand Shown



Specify

- Select paint
- Laminate with matching edge

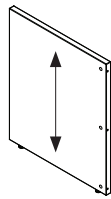
Notes

- Cannot be used freestanding, must be attached to a Beam.
- Encounter PowerBeam gallery panels are ordered specific to Beam height.
- Gallery panels add 1 1/8" between or at the end of Beam sections.
- Encounter PowerBench only compatible with 29"H.
- Mid mounts are not compatible with PowerBench.
- Extended panel to panel electrical jumpers must be used when jumping power through a spine mounted gallery panel.

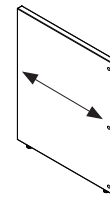
Laminate Gallery Wing Panels

WING PANEL, VERTICAL GRAIN PATTERN				
		Left	Right	
H	W	Model Number	Model Number	List
29	24	T-SLWL2924	T-SLWR2924	573
29	30	T-SLWL2930	T-SLWR2930	603
42	24	T-SLWL4224	T-SLWR4224	621
42	30	T-SLWL4230	T-SLWR4230	670
46	24	T-SLWL4624	T-SLWR4624	638
46	30	T-SLWL4630	T-SLWR4630	691
50	24	T-SLWL5024	T-SLWR5024	666
50	30	T-SLWL5030	T-SLWR5030	737
58	24	T-SLWL5824	T-SLWR5824	746
58	30	T-SLWL5830	T-SLWR5830	820

WING PANEL, HORIZONTAL GRAIN PATTERN				
		Left	Right	
H	W	Model Number	Model Number	List
29	24	T-SLWL2924H	T-SLWR2924H	573
29	30	T-SLWL2930H	T-SLWR2930H	603
42	24	T-SLWL4224H	T-SLWR4224H	621
42	30	T-SLWL4230H	T-SLWR4230H	670
46	24	T-SLWL4624H	T-SLWR4624H	638
46	30	T-SLWL4630H	T-SLWR4630H	691
50	24	T-SLWL5024H	T-SLWR5024H	666
50	30	T-SLWL5030H	T-SLWR5030H	737
58	24	T-SLWL5824H	T-SLWR5824H	746
58	30	T-SLWL5830H	T-SLWR5830H	820



Left Hand Shown



Left Hand Shown

Specify

- Select paint
- Laminate with matching edge

Notes

- Cannot be used freestanding, must be attached to a Beam.
- Encounter PowerBeam gallery panels are ordered specific to Beam height.
- Gallery panels add 1 1/8" between or at the end of Beam sections.
- Encounter PowerBench only compatible with 29"H.

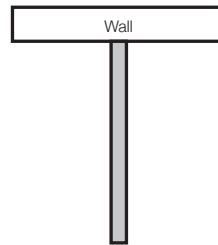
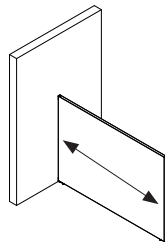
Wall Mounted Gallery Panels

WALL MOUNTED GALLERY PANELS – HORIZONTAL

H	W	Model Number	List
29	24	T-WMGP2924	553
29	30	T-WMGP2930	580
29	36	T-WMGP2936	597
29	42	T-WMGP2942	609
29	48	T-WMGP2948	618
29	54	T-WMGP2954	627
29	60	T-WMGP2960	742
29	66	T-WMGP2966	780
29	72	T-WMGP2972	831
29	78	T-WMGP2978	881
29	84	T-WMGP2984	931
29	90	T-WMGP2990	981
29	96	T-WMGP2996	1,013
41	24	T-WMGP4124	595
41	30	T-WMGP4130	641
41	36	T-WMGP4136	681
41	42	T-WMGP4142	721
41	48	T-WMGP4148	762
41	54	T-WMGP4154	802
41	60	T-WMGP4160	905
41	66	T-WMGP4166	972
41	72	T-WMGP4172	1,010
41	78	T-WMGP4178	1,049
41	84	T-WMGP4184	1,088
41	90	T-WMGP4190	1,127
41	96	T-WMGP4196	1,215

WALL MOUNTED GALLERY PANELS – HORIZONTAL

H	W	Model Number	List
46	24	T-WMGP4624	615
46	30	T-WMGP4630	671
46	36	T-WMGP4636	724
46	42	T-WMGP4642	777
46	48	T-WMGP4648	833
46	54	T-WMGP4654	889
46	60	T-WMGP4660	988
46	66	T-WMGP4666	1,067
46	72	T-WMGP4672	1,100
46	78	T-WMGP4678	1,134
46	84	T-WMGP4684	1,167
46	90	T-WMGP4690	1,200
46	96	T-WMGP4696	1,288
50	24	T-WMGP5024	635
50	30	T-WMGP5030	701
50	36	T-WMGP5036	765
50	42	T-WMGP5042	833
50	48	T-WMGP5048	904
50	54	T-WMGP5054	976
50	60	T-WMGP5060	1,070
50	66	T-WMGP5066	1,162
50	72	T-WMGP5072	1,190
50	78	T-WMGP5078	1,218
50	84	T-WMGP5084	1,245
50	90	T-WMGP5090	1,272
50	96	T-WMGP5096	1,359



Specify

- Laminate selection
- Paint selection for Mounting Brackets

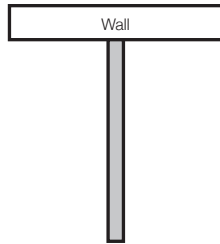
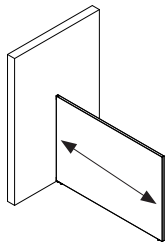
Notes

- Gallery panels are 1 1/8" with 2mm edge.
- Cannot be used freestanding, must be attached to a wall.
- Wall mounted gallery panels over 66" wide must be attached to storage units for support.
- Laminate gallery panel has matching edge.
- Encounter PowerBench only compatible with 29"H.

Wall Mounted Gallery Panels

WALL MOUNTED GALLERY PANELS – HORIZONTAL

H	W	Model Number	List
58	24	T-WMGP5824	708
58	30	T-WMGP5830	777
58	36	T-WMGP5836	837
58	42	T-WMGP5842	903
58	48	T-WMGP5848	952
58	54	T-WMGP5854	1,003
58	60	T-WMGP5860	1,092
58	66	T-WMGP5866	1,182
58	72	T-WMGP5872	1,271
58	78	T-WMGP5878	1,359
58	84	T-WMGP5884	1,450
58	90	T-WMGP5890	1,539
58	96	T-WMGP5896	1,617



Specify

- Laminate selection
- Paint selection for Mounting Brackets

Notes

- Gallery panels are 1 1/8” with 2mm edge.
- Cannot be used freestanding, must be attached to a wall.
- Wall mounted gallery panels over 66” wide must be attached to storage units for support.
- Laminate gallery panel has matching edge.
- Encounter PowerBench only compatible with 29”H.

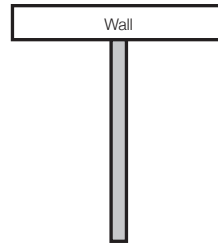
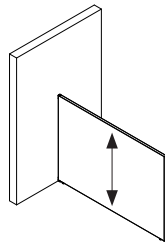
Wall Mounted Gallery Panels

WALL MOUNTED GALLERY PANELS – VERTICAL

H	W	Model Number	List
29	24	T-WMGP2924V	553
29	30	T-WMGP2930V	580
29	36	T-WMGP2936V	597
29	42	T-WMGP2942V	609
29	48	T-WMGP2948V	618
29	54	T-WMGP2954V	627
41	24	T-WMGP4124V	595
41	30	T-WMGP4130V	641
41	36	T-WMGP4136V	681
41	42	T-WMGP4142V	721
41	48	T-WMGP4148V	762
41	54	T-WMGP4154V	802
46	24	T-WMGP4624V	615
46	30	T-WMGP4630V	671
46	36	T-WMGP4636V	724
46	42	T-WMGP4642V	777
46	48	T-WMGP4648V	833
46	54	T-WMGP4654V	889

WALL MOUNTED GALLERY PANELS – VERTICAL

H	W	Model Number	List
50	24	T-WMGP5024V	635
50	30	T-WMGP5030V	701
50	36	T-WMGP5036V	765
50	42	T-WMGP5042V	833
50	48	T-WMGP5048V	904
50	54	T-WMGP5054V	976
58	24	T-WMGP5824V	708
58	30	T-WMGP5830V	777
58	36	T-WMGP5836V	837
58	42	T-WMGP5842V	903
58	48	T-WMGP5848V	952
58	54	T-WMGP5854V	1,003



Specify

- Laminate selection
- Paint selection for Mounting Brackets

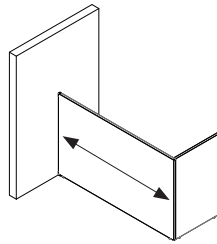
Notes

- Gallery panels are 1 1/8" with 2mm edge.
- Cannot be used freestanding, must be attached to a wall.
- Wall mounted gallery panels over 66" wide must be attached to storage units for support.
- Laminate gallery panel has matching edge.
- Encounter PowerBench only compatible with 29"H.

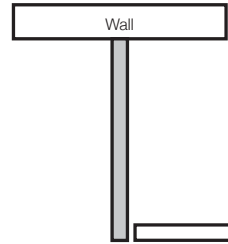
Wall Mounted Gallery Panel for Wings

WALL MOUNTED GALLERY PANEL FOR WINGS – HORIZONTAL				
H	W	Left	Right	List
		Model Number	Model Number	
29	66	T-WMGPWL2966	T-WMGPWR2966	811
29	72	T-WMGPWL2972	T-WMGPWR2972	862
29	78	T-WMGPWL2978	T-WMGPWR2978	912
29	84	T-WMGPWL2984	T-WMGPWR2984	962
29	90	T-WMGPWL2990	T-WMGPWR2990	1,013
41	66	T-WMGPWL4166	T-WMGPWR4166	1,003
41	72	T-WMGPWL4172	T-WMGPWR4172	1,041
41	78	T-WMGPWL4178	T-WMGPWR4178	1,080
41	84	T-WMGPWL4184	T-WMGPWR4184	1,119
41	90	T-WMGPWL4190	T-WMGPWR4190	1,159
46	66	T-WMGPWL4666	T-WMGPWR4666	1,098
46	72	T-WMGPWL4672	T-WMGPWR4672	1,132
46	78	T-WMGPWL4678	T-WMGPWR4678	1,164
46	84	T-WMGPWL4684	T-WMGPWR4684	1,198
46	90	T-WMGPWL4690	T-WMGPWR4690	1,230

WALL MOUNTED GALLERY PANEL FOR WINGS – HORIZONTAL				
H	W	Left	Right	List
		Model Number	Model Number	
50	66	T-WMGPWL5066	T-WMGPWR5066	1,193
50	72	T-WMGPWL5072	T-WMGPWR5072	1,221
50	78	T-WMGPWL5078	T-WMGPWR5078	1,248
50	84	T-WMGPWL5084	T-WMGPWR5084	1,275
50	90	T-WMGPWL5090	T-WMGPWR5090	1,302
58	66	T-WMGPWL5866	T-WMGPWR5866	1,213
58	72	T-WMGPWL5872	T-WMGPWR5872	1,301
58	78	T-WMGPWL5878	T-WMGPWR5878	1,392
58	84	T-WMGPWL5884	T-WMGPWR5884	1,481
58	90	T-WMGPWL5890	T-WMGPWR5890	1,569



Left Hand Shown



Left Hand Shown

Specify

- Laminate selection
- Paint selection for Mounting Brackets

Notes

- Gallery panels are 1 1/8" with 2mm edge.
- Cannot be used freestanding, must be attached to a wall.
- Laminate gallery panel has matching edge.
- Encounter PowerBench only compatible with 29"H.

ENCOUNTER POWERBEAM UNDER SURFACE MOUNT LITE SCREENS FOR ENCOUNTER POWERBENCH

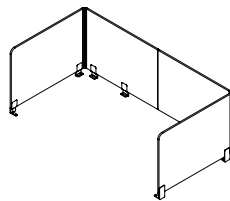
PET Encounter PowerBench U-Wrap Under Surface Mount Lite Screens

ENCOUNTER POWERBENCH LITE CLIP SCREEN, U-WRAP, PET, DIM N, U MOUNT, UNIVERSAL

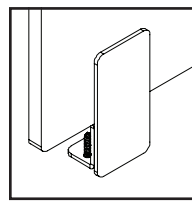
H	W	D	Model Number	List
12	24	48	Y-5K4N2U122448B	711
12	24	54	Y-5K4N2U122454B	723
12	24	60	Y-5K4N2U122460B	732
12	24	66	Y-5K4N2U122466B	742
12	24	72	Y-5K4N2U122472B	791
12	24	78	Y-5K4N2U122478B	800
12	24	84	Y-5K4N2U122484B	810
12	30	48	Y-5K4N2U123048B	723
12	30	54	Y-5K4N2U123054B	732
12	30	60	Y-5K4N2U123060B	742
12	30	66	Y-5K4N2U123066B	800
12	30	72	Y-5K4N2U123072B	810
12	30	78	Y-5K4N2U123078B	822
12	30	84	Y-5K4N2U123084B	832
16	24	48	Y-5K4N2U162448B	753
16	24	54	Y-5K4N2U162454B	765
16	24	60	Y-5K4N2U162460B	778
16	24	66	Y-5K4N2U162466B	791
16	24	72	Y-5K4N2U162472B	859
16	24	78	Y-5K4N2U162478B	870
16	24	84	Y-5K4N2U162484B	884
16	30	48	Y-5K4N2U163048B	765
16	30	54	Y-5K4N2U163054B	778
16	30	60	Y-5K4N2U163060B	791
16	30	66	Y-5K4N2U163066B	870
16	30	72	Y-5K4N2U163072B	884
16	30	78	Y-5K4N2U163078B	899
16	30	84	Y-5K4N2U163084B	910

ENCOUNTER POWERBENCH LITE CLIP SCREEN, U-WRAP, PET, DIM N, U MOUNT, UNIVERSAL

H	W	D	Model Number	List
20	24	48	Y-5K4N2U202448B	791
20	24	54	Y-5K4N2U202454B	807
20	24	60	Y-5K4N2U202460B	826
20	24	66	Y-5K4N2U202466B	840
20	24	72	Y-5K4N2U202472B	924
20	24	78	Y-5K4N2U202478B	940
20	24	84	Y-5K4N2U202484B	958
20	30	48	Y-5K4N2U203048B	807
20	30	54	Y-5K4N2U203054B	826
20	30	60	Y-5K4N2U203060B	840
20	30	66	Y-5K4N2U203066B	940
20	30	72	Y-5K4N2U203072B	958
20	30	78	Y-5K4N2U203078B	974
20	30	84	Y-5K4N2U203084B	990
24	24	48	Y-5K4N2U242448B	832
24	24	54	Y-5K4N2U242454B	851
24	24	60	Y-5K4N2U242460B	870
24	24	66	Y-5K4N2U242466B	892
24	24	72	Y-5K4N2U242472B	990
24	24	78	Y-5K4N2U242478B	1,010
24	24	84	Y-5K4N2U242484B	1,031
24	30	48	Y-5K4N2U243048B	851
24	30	54	Y-5K4N2U243054B	870
24	30	60	Y-5K4N2U243060B	892
24	30	66	Y-5K4N2U243066B	1,010
24	30	72	Y-5K4N2U243072B	1,031
24	30	78	Y-5K4N2U243078B	1,049
24	30	84	Y-5K4N2U243084B	1,070



2 PET Pieces



Under Surface Mount Lite

Specify

- Paint Selection for Lite Clip
- Color Selection for PET - Lite Grey, Medium Grey, Tan or Vibrant Blue

Notes

- PET U-Wrap Screens are designed to mount to AIS Encounter worksurfaces.
- PET screen inserts are 1/2" (12mm) thick.
- U-Wrap screens are constructed from 2 pieces of PET.
- Screens must be specified to the full depth of the matching Encounter worksurface.

UNDER SURFACE MOUNT LITE SCREENS FOR ENCOUNTER POWERBENCH ENCOUNTER POWERBEAM

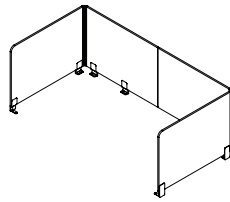
PET Encounter PowerBench U-Wrap Under Surface Mount Lite Screens

ENCOUNTER POWERBENCH LITE CLIP SCREEN, U-WRAP, PET, DIM N, U MOUNT, UNIVERSAL

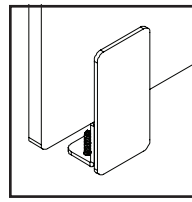
H	W	D	Model Number	List
28	24	48	Y-5K4N2U282448B	870
28	24	54	Y-5K4N2U282454B	894
28	24	60	Y-5K4N2U282460B	916
28	24	66	Y-5K4N2U282466B	940
28	24	72	Y-5K4N2U282472B	1,058
28	24	78	Y-5K4N2U282478B	1,078
28	24	84	Y-5K4N2U282484B	1,103
28	30	48	Y-5K4N2U283048B	894
28	30	54	Y-5K4N2U283054B	916
28	30	60	Y-5K4N2U283060B	940
28	30	66	Y-5K4N2U283066B	1,078
28	30	72	Y-5K4N2U283072B	1,103
28	30	78	Y-5K4N2U283078B	1,128
28	30	84	Y-5K4N2U283084B	1,149

ENCOUNTER POWERBENCH LITE CLIP SCREEN, U-WRAP, PET, DIM N, U MOUNT, UNIVERSAL

H	W	D	Model Number	List
32	24	48	Y-5K4N2U322448B	1,037
32	24	54	Y-5K4N2U322454B	1,074
32	24	60	Y-5K4N2U322460B	1,112
32	24	66	Y-5K4N2U322466B	1,149
32	24	72	Y-5K4N2U322472B	1,335
32	24	78	Y-5K4N2U322478B	1,373
32	24	84	Y-5K4N2U322484B	1,409
32	30	48	Y-5K4N2U323048B	1,074
32	30	54	Y-5K4N2U323054B	1,112
32	30	60	Y-5K4N2U323060B	1,149
32	30	66	Y-5K4N2U323066B	1,373
32	30	72	Y-5K4N2U323072B	1,409
32	30	78	Y-5K4N2U323078B	1,446
32	30	84	Y-5K4N2U323084B	1,483



2 PET Pieces



Under Surface Mount Lite

Specify

- Paint Selection for Lite Clip
- Color Selection for PET - Lite Grey, Medium Grey, Tan or Vibrant Blue

Notes

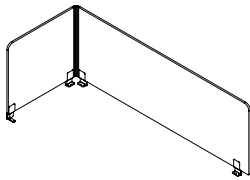
- PET U-Wrap Screens are designed to mount to AIS Encounter worksurfaces.
- PET screen inserts are 1/2" (12mm) thick.
- U-Wrap screens are constructed from 2 pieces of PET.
- Screens must be specified to the full depth of the matching Encounter worksurface.

ENCOUNTER POWERBEAM UNDER SURFACE MOUNT LITE SCREENS FOR ENCOUNTER POWERBENCH

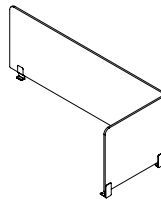
PET Encounter PowerBench L-Wrap Under Surface Mount Lite Screens

PET ENCOUNTER POWERBENCH L-WRAP UNDER SURFACE MOUNT LITE SCREENS

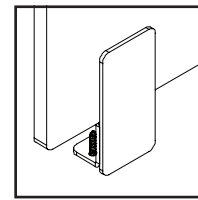
H	W	D	Left Hand	Right Hand	List
			Model Number	Model Number	
12	24	48	Y-5J4J2L122448B	Y-5J4J2R122448B	711
12	24	54	Y-5J4J2L122454B	Y-5J4J2R122454B	723
12	24	60	Y-5J4J2L122460B	Y-5J4J2R122460B	732
12	24	66	Y-5J4J2L122466B	Y-5J4J2R122466B	742
12	30	48	Y-5J4J2L123048B	Y-5J4J2R123048B	723
12	30	54	Y-5J4J2L123054B	Y-5J4J2R123054B	732
12	30	60	Y-5J4J2L123060B	Y-5J4J2R123060B	742
16	24	48	Y-5J4J2L162448B	Y-5J4J2R162448B	753
16	24	54	Y-5J4J2L162454B	Y-5J4J2R162454B	765
16	24	60	Y-5J4J2L162460B	Y-5J4J2R162460B	778
16	24	66	Y-5J4J2L162466B	Y-5J4J2R162466B	791
16	30	48	Y-5J4J2L163048B	Y-5J4J2R163048B	765
16	30	54	Y-5J4J2L163054B	Y-5J4J2R163054B	778
16	30	60	Y-5J4J2L163060B	Y-5J4J2R163060B	791
20	24	48	Y-5J4J2L202448B	Y-5J4J2R202448B	791
20	24	54	Y-5J4J2L202454B	Y-5J4J2R202454B	807
20	24	60	Y-5J4J2L202460B	Y-5J4J2R202460B	826
20	24	66	Y-5J4J2L202466B	Y-5J4J2R202466B	840
20	30	48	Y-5J4J2L203048B	Y-5J4J2R203048B	807
20	30	54	Y-5J4J2L203054B	Y-5J4J2R203054B	826
20	30	60	Y-5J4J2L203060B	Y-5J4J2R203060B	840



Left Hand



Right Hand



Under Surface Mount Lite

Specify

- Paint Selection for Lite Clip
- Color Selection for PET - Lite Grey, Medium Grey, Tan or Vibrant Blue

Notes

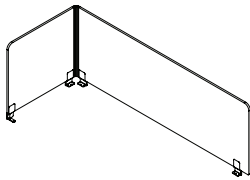
- PET L-Wrap Screens are designed to mount to AIS Encounter worksurfaces.
- PET screen inserts are 1/2" (12mm) thick.
- Screens must be specified to the full depth of the matching Encounter worksurface.

UNDER SURFACE MOUNT LITE SCREENS FOR ENCOUNTER POWERBENCH ENCOUNTER POWERBEAM

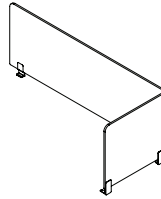
PET Encounter PowerBench L-Wrap Under Surface Mount Lite Screens

PET ENCOUNTER POWERBENCH L-WRAP UNDER SURFACE MOUNT LITE SCREENS

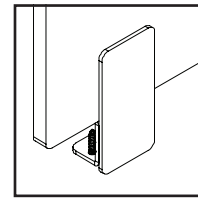
H	W	D	Left Hand	Right Hand	List
			Model Number	Model Number	
24	24	48	Y-5J4J2L242448B	Y-5J4J2R242448B	832
24	24	54	Y-5J4J2L242454B	Y-5J4J2R242454B	851
24	24	60	Y-5J4J2L242460B	Y-5J4J2R242460B	870
24	24	66	Y-5J4J2L242466B	Y-5J4J2R242466B	892
24	30	48	Y-5J4J2L243048B	Y-5J4J2R243048B	851
24	30	54	Y-5J4J2L243054B	Y-5J4J2R243054B	870
24	30	60	Y-5J4J2L243060B	Y-5J4J2R243060B	892
28	24	48	Y-5J4J2L282448B	Y-5J4J2R282448B	870
28	24	54	Y-5J4J2L282454B	Y-5J4J2R282454B	894
28	24	60	Y-5J4J2L282460B	Y-5J4J2R282460B	916
28	24	66	Y-5J4J2L282466B	Y-5J4J2R282466B	940
28	30	48	Y-5J4J2L283048B	Y-5J4J2R283048B	894
28	30	54	Y-5J4J2L283054B	Y-5J4J2R283054B	916
28	30	60	Y-5J4J2L283060B	Y-5J4J2R283060B	940
32	24	48	Y-5J4J2L322448B	Y-5J4J2R322448B	1,037
32	24	54	Y-5J4J2L322454B	Y-5J4J2R322454B	1,074
32	24	60	Y-5J4J2L322460B	Y-5J4J2R322460B	1,112
32	24	66	Y-5J4J2L322466B	Y-5J4J2R322466B	1,149
32	30	48	Y-5J4J2L323048B	Y-5J4J2R323048B	1,074
32	30	54	Y-5J4J2L323054B	Y-5J4J2R323054B	1,112
32	30	60	Y-5J4J2L323060B	Y-5J4J2R323060B	1,149



Left Hand



Right Hand



Under Surface Mount Lite

Specify

- Paint Selection for Lite Clip
- Color Selection for PET - Lite Grey, Medium Grey, Tan or Vibrant Blue

Notes

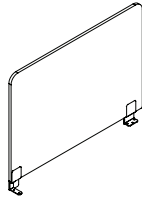
- PET U-Wrap Screens are designed to mount to AIS Encounter worksurfaces.
- PET screen inserts are 1/2" (12mm) thick.
- U-Wrap Screens typically constructed with two pieces of PET, some smaller sizes are constructed from 1 piece when possible. See PET pieces for specific details.
- Screens must be specified to the full depth of the matching Encounter worksurface.

ENCOUNTER POWERBEAM UNDER SURFACE MOUNT LITE SCREENS FOR ENCOUNTER POWERBENCH

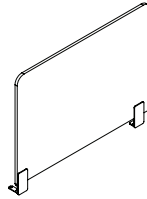
PET Encounter PowerBench Territory Under Surface Mount Lite Screens

PET TERRITORY UNDER SURFACE MOUNT LITE SCREENS (ENCOUNTER POWERBENCH SPECIFIC)

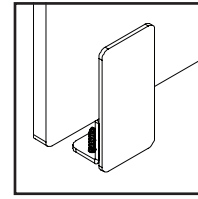
H	W	Left Hand	Right Hand	List
		Model Number	Model Number	
12	24	Y-5H4D2L1224B	Y-5H4D2R1224B	514
16	24	Y-5H4D2L1624B	Y-5H4D2R1624B	526
20	24	Y-5H4D2L2024B	Y-5H4D2R2024B	539
24	24	Y-5H4D2L2424B	Y-5H4D2R2424B	554
28	24	Y-5H4D2L2824B	Y-5H4D2R2824B	566
32	24	Y-5H4D2L3224B	Y-5H4D2R3224B	579
12	30	Y-5H4D2L1230B	Y-5H4D2R1230B	524
16	30	Y-5H4D2L1630B	Y-5H4D2R1630B	539
20	30	Y-5H4D2L2030B	Y-5H4D2R2030B	556
24	30	Y-5H4D2L2430B	Y-5H4D2R2430B	571
28	30	Y-5H4D2L2830B	Y-5H4D2R2830B	590
32	30	Y-5H4D2L3230B	Y-5H4D2R3230B	606



Left Hand



Right Hand



Under Surface Mount Lite

Specify

- Paint Selection for Lite Clip
- Color Selection for PET - Lite Grey, Medium Grey, Tan or Vibrant Blue

Notes

- PET L-Wrap Screens are designed to mount to AIS Encounter worksurfaces.
- PET screen inserts are 1/2" (12mm) thick.
- Screens must be specified to the full depth of the matching Encounter worksurface.



National Showrooms:

Leominster

AIS Headquarters
25 Tucker Drive
Leominster, MA 01453

Chicago

The Merchandise Mart
Suite 391
Chicago, Illinois 60654

New York

AIS New York
257 Park Avenue South
New York, New York 10010

Washington, D.C.

AIS Washington, D.C.
1501 M St, NW, STE 230
Washington, D.C. 20005

GSA Sales

GSA Contract 47QSMA20D08Q4
Multiple Award Schedule (MAS)
Large Category: Furniture & Furnishings
Subcategories: Office Furniture, Packaged
Office Furniture and Furniture Services

For additional information on AIS:

Dealer Showrooms, Representative
Directory, Project Case Studies, Online
Catalog & Product Showcase
Visit: www.ais-inc.com