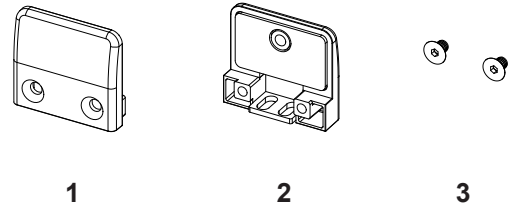


Details

Up-Mounted Frameless Glass Kits allow for the installation of frameless glass on top of worksurfaces as well as below worksurfaces (see Modesty Frameless Glass). Clamps come with all required hardware, including worksurface screws.

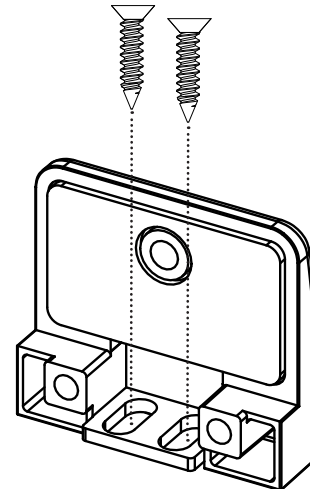
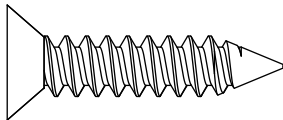
Clamp Parts

1. Glass Clamp Male
2. Glass Clamp female
3. Countersunk Hex Head Bolts
RH-GCS - SCREW 1/4-28 X 1/2" FLAT HEAD SOCKET DRIVE
4. Foam rubber stickers (not shown)



Step 1

Position the Glass Clamp Female as required. Secure the clamp with two standard worksurface screws.

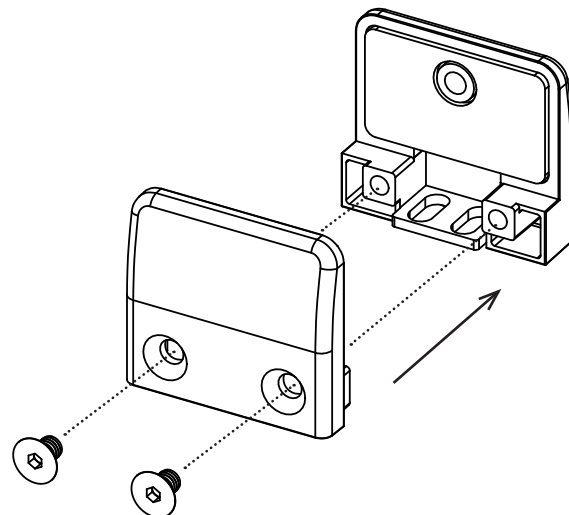


Step 2

Apply the Foam rubber stickers to both clamp parts.

Align the Glass Clamp Male with the Glass Clamp Female and clamp them together. Secure the Glass Clamp Male with the Countersunk Hex Head Bolts.

NOTE: Leave the hex head bolts loose until you have the glass positioned as needed, then tighten to complete the installation.

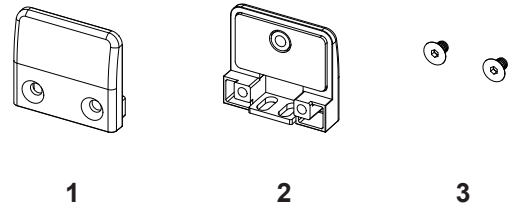


Details

Frameless Glass Mounting Kits allow for the installation of frameless glass on top of worksurfaces as well as below worksurfaces (as modesty panels). Clamps come with all required hardware, including worksurface screws.

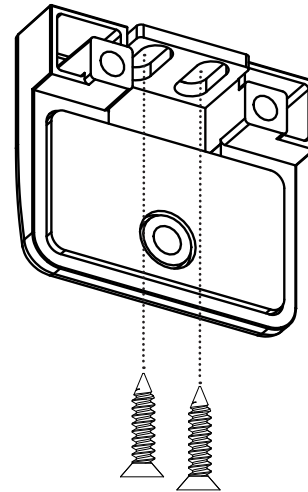
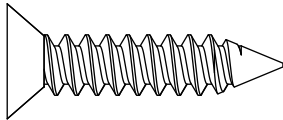
Clamp Parts

1. Glass Clamp Male
2. Glass Clamp female
3. Countersunk Hex Head Bolts
RH-GCS - SCREW 1/4-28 X 1/2" FLAT HEAD SOCKET DRIVE
4. Foam rubber stickers (not shown)



Step 1

Position the Glass Clamp Female as required. Secure the clamp with two standard worksurface screws.



Step 2

Apply the Foam rubber stickers to both clamp parts.

Install the pin into the Glass Clamp Female, then position the hole in the glass over the pin and clamp the Glass Clamp Male together. Make sure to keep the pin aligned and in place, as this pin will prevent the glass from falling in the future.

Hold the clamps together and install the Hex Head Bolts. Tighten the bolts to complete the installation.

