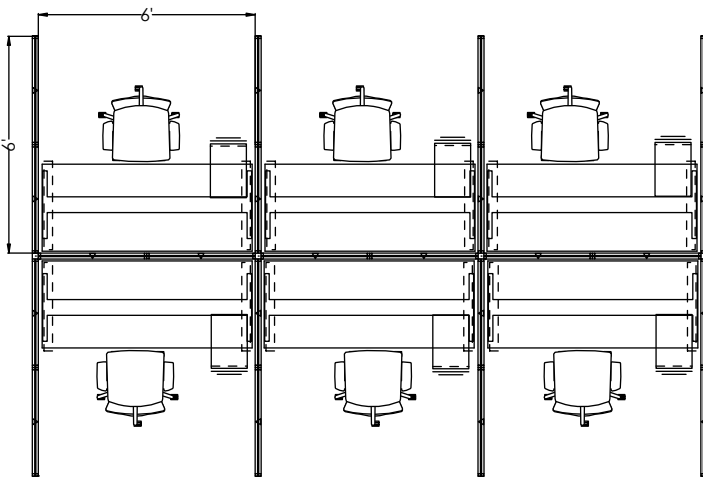


# DIVI WORKSTATIONS®

## DIVITYP016

# AIS | IDEA STARTERS



#	Part Number	Description	Quantity	Ext. List
1	4700	Upton - Black Mesh Back - Black Seat Fabric	6	\$4,986.00
2	C-BFP1812M	BOX / FILE PEDESTAL MOBILE w/CUSHION 12"W	3	\$6,576.00
3	C-BFP1812MNC	Box/File Mobile Ped-No Cushion-12W	3	\$5,850.00
4	RH-WFB12	WESKO FILE BAR - 12"	3	\$198.00
5	E-DP6GFPB	Snap-In Data Plate w/6 Gang Face - Black	6	\$216.00
6	E-MW8W4DO1	Black Duplex Outlet - Line 1	3	\$243.00
7	E-MW8W4DO2	Black Duplex Outlet - Line 2	3	\$243.00
8	E-MW8W4DO3	Black Duplex Outlet - Line 3	3	\$243.00
9	E-MW8W4DO4	Black Duplex Outlet - Line 4 - Dedicated	3	\$243.00
10	E-MX8W4PTPC18	18 in. Electrical Jumper (Panel To Panel)	3	\$660.00
11	E-MX8W4PTPC21	21 in. Electrical Jumper (Extended Panel To Panel)	3	\$693.00
12	E-UN8W4BIFL	LH Receptacle Mounted Base Infeed - 72L - 8 Wire, 4 Circuit	1	\$550.00
13	DLBS3W	DIVI LINEAR BASE RACEWAY SHROUD 3-WAY 90 DEGREES	2	\$54.00
14	DLFPPM4236	DIVI LINEAR HARD PANEL-PWR-PERM MONO- 42H X 36W	7	\$7,938.00
15	DLFRPM4236	DIVI LINEAR HARD PANEL -NPWR-PERMANENT MONOLITHIC- 42H X 36W	15	\$11,685.00
16	DLSEOR	DIVI LINEAR BASE RACEWAY SHROUD END OF RUN	8	\$216.00
17	Y-3P2B1U1672B2	Divi Channel Screen, Panel Top, GL1/4", 16hx72w	11	\$12,067.00
18	T-RCR307229HG	TBL, REC, 2MM, 30DX72WX29H, HAL, E SERIES GLD 2 STAGE	6	\$18,756.00
Total List				\$71,417.00

Pricing shown is for budgetary purposes only and subject to change. Pricelist Dates: 4/1/24. Contact your local Rep for a quote.  
 Availability of finishes and materials shown may vary due to manufacturers' lifecycle management.  
 More Idea Starters available at <https://www.ais-inc.com/resources/idea-starters>