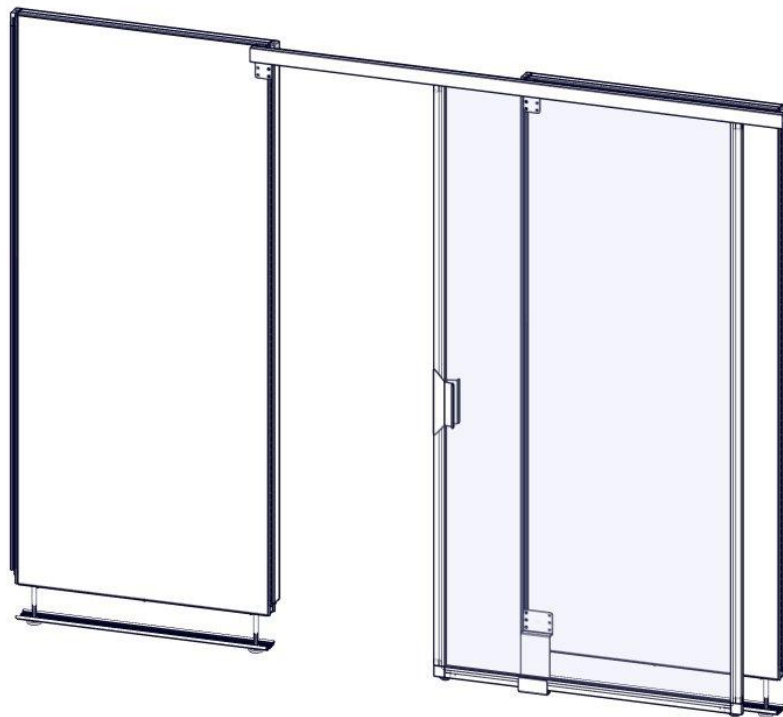
















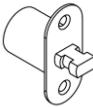
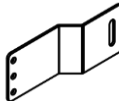
Date	Page No.	Description of change	Name
1/5/2021	1-9	Released	S. Powers
3/31/2021	4, 9	Step 2: Updated views and added note to clarify bracket position and location of screws. Pg 9: Added view of handle and lock location.	S. Powers



Sliding Door – AO2

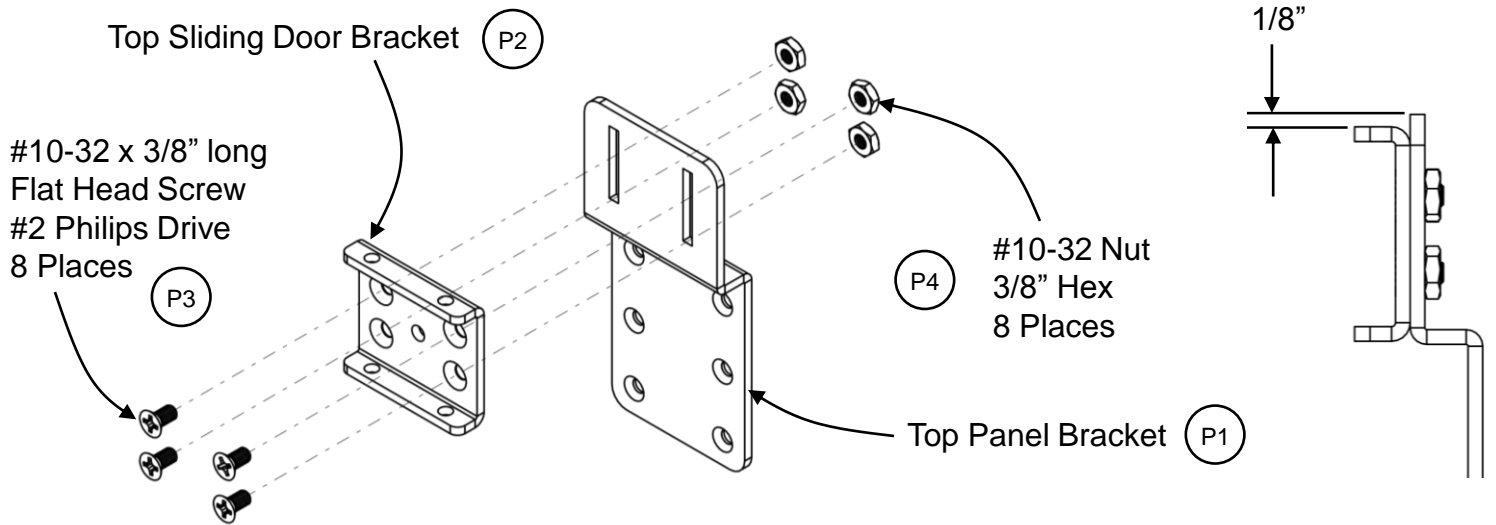
Parts List

Item	Replacement Part number	Circle Sheet Part Number	Description	Image
P1	P-HMLRPSTB	RP-HMLRPSTB	Top Panel Bracket	
P2	A-TBSLDDVMW	RA-TBSLDDVMW	Top Sliding Door Bracket	
P3	RH-MSZFP103238	RH-MSZFP103238	#10-32 x 3/8" Flat Head Machine Screw	
P4	RH-HNZK1032	RH-HNZK1032	#10-32 Hex Nut	
P5	RH-94195A140	RH-94195A140	#8 x 3/4" Flat Head Drilling Sreew	
P6	A-TTBHMxx xx = 36, 42 or 48	RA-TTBHMxx xx = 36, 42 or 48	Top Rail	
P7	RS-HSSE3	RS-HSSE3	#8-32 x 3/8" Pan Head Machine Screw	
P8	P-HMLRPSBB	RP-HMLRPSBB	Bottom Bracket	
P9	RS-FDLRUBBUMP-I	RS-FDLRUBBUMP-I	Bumper	
P10	RE-HS1058	RE-HS1058	#10-24 x 5/8" Round Head Thread Cutting Screw	

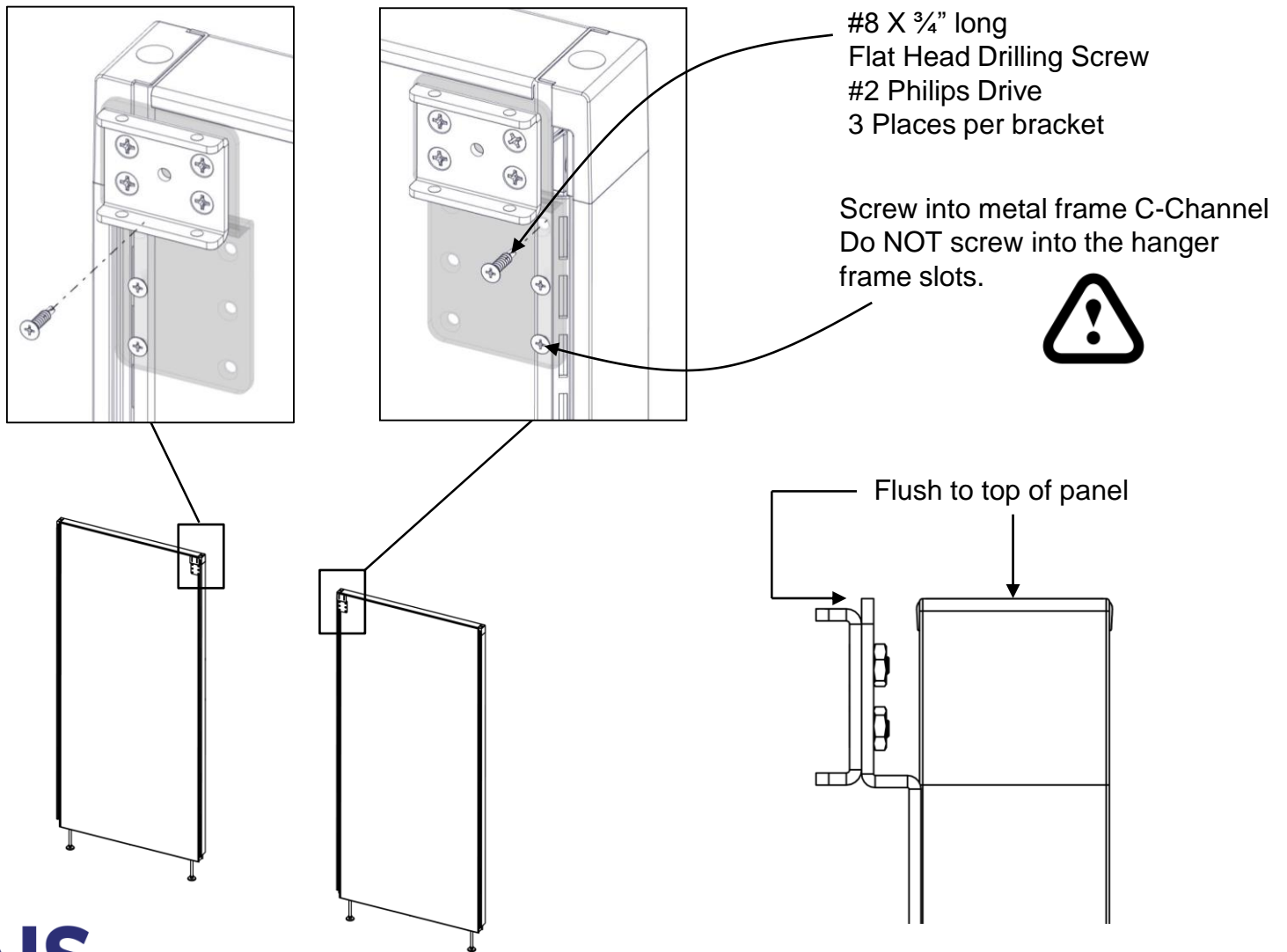
Item	Replacement Part number	Circle Sheet Part Number	Description	Image
P11	RA-RSPWHEEL	RA-RSPWHEEL	Wheel	
P12	RH-SSFP103258	RH-SSFP103258	#10-32 x 5/8" Shoulder Screw	
P13	A-UNRPSH	A-UNRPSH	Handle	
P14	RH-TSSF612	RH-TSSF612	#6 x 1/2" Flat Head Drilling Screw	
P15	RP-PPSLD	RP-PPSLD	Lock	
P16	P-HMLRPSLB	RP-HMLRPSLB	Lock Bracket	

Sliding Door – AO2

Step 1: Install Top Sliding Door Brackets to Top Panel Brackets. (2 sub-assemblies required)



Step 2: Install both bracket assemblies to AO2 panel hanger frames.

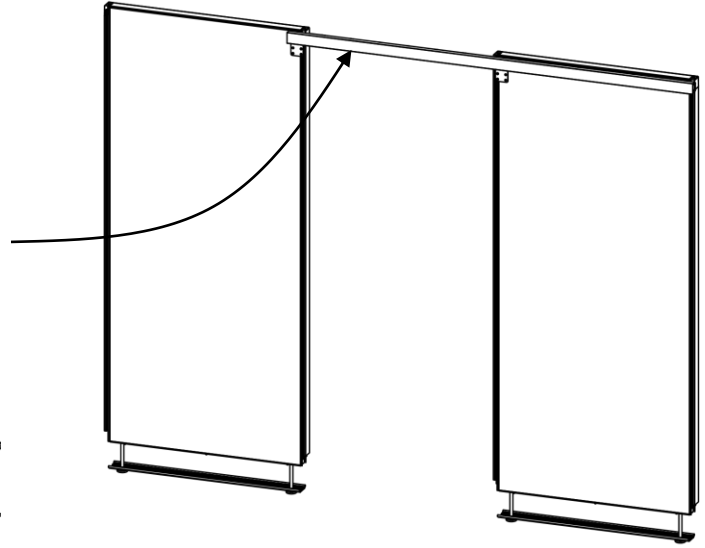
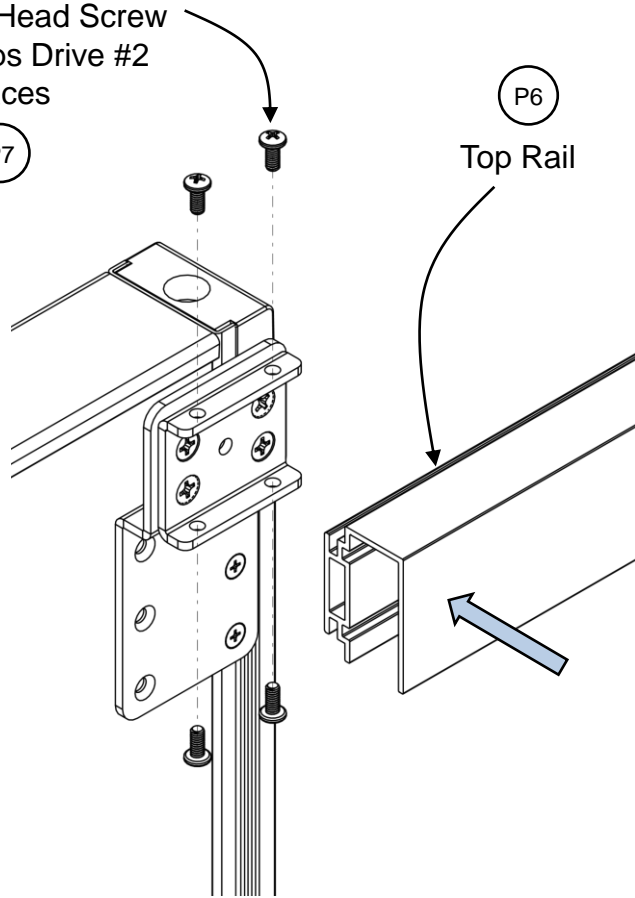


Sliding Door – AO2

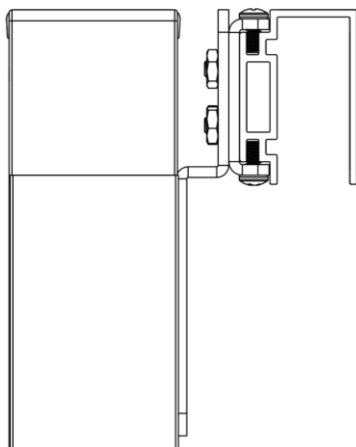
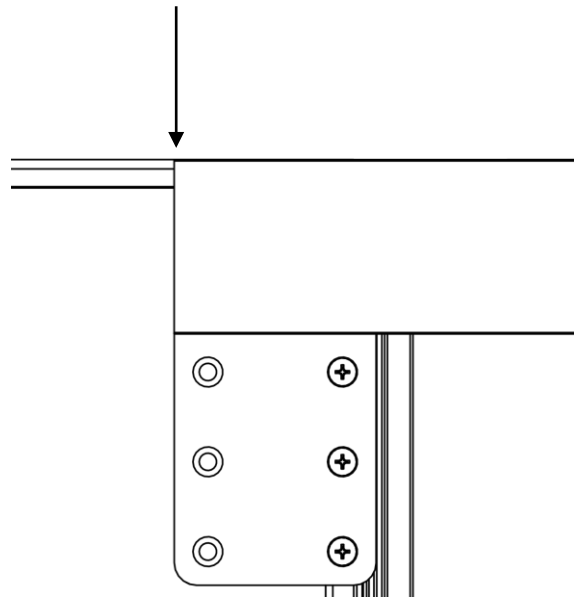
Step 3 : Install Top Rail to Brackets.

#8-32 x 3/8" long
Pan Head Screw
Philips Drive #2
8 Places

P7

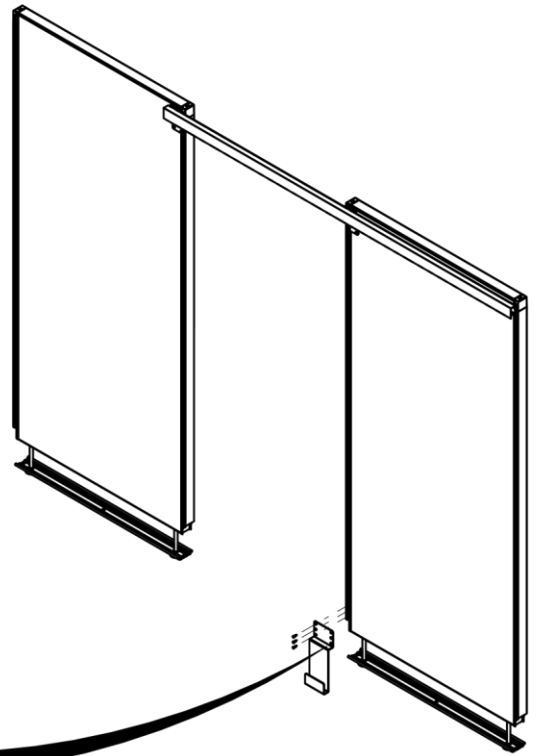


Flush to Bracket



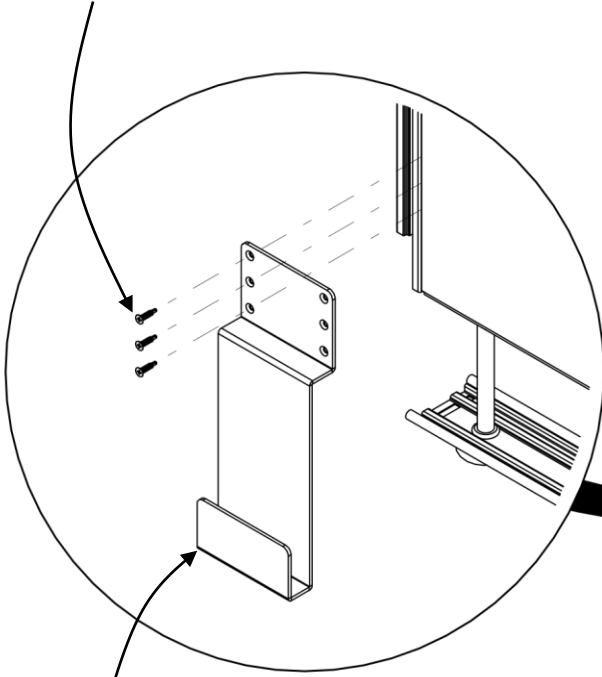
Sliding Door – AO2

Step 3 : Install Bottom Bracket to AO2 Hanger Frame.



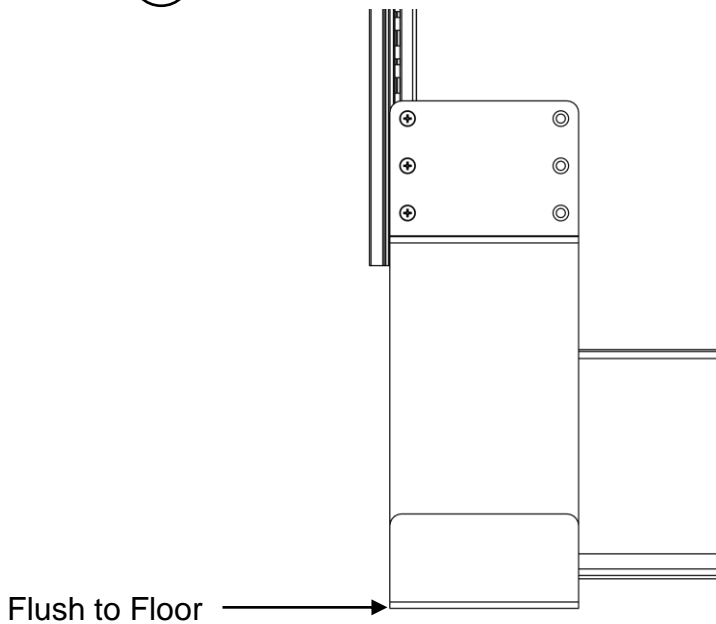
P5

#8 X 3/4" long
Flat Head Drilling Screw
#2 Philips Drive
3 Places per bracket



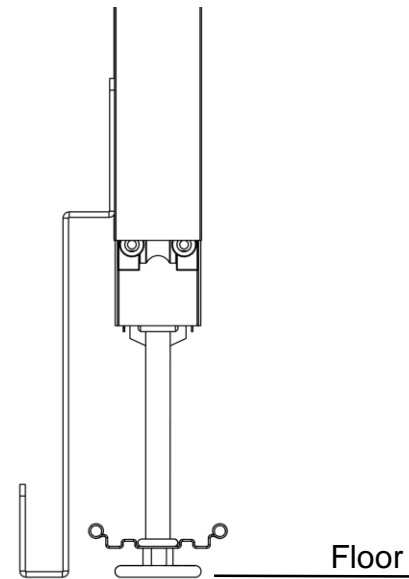
Bottom Bracket

P8



Flush to Floor

Front View

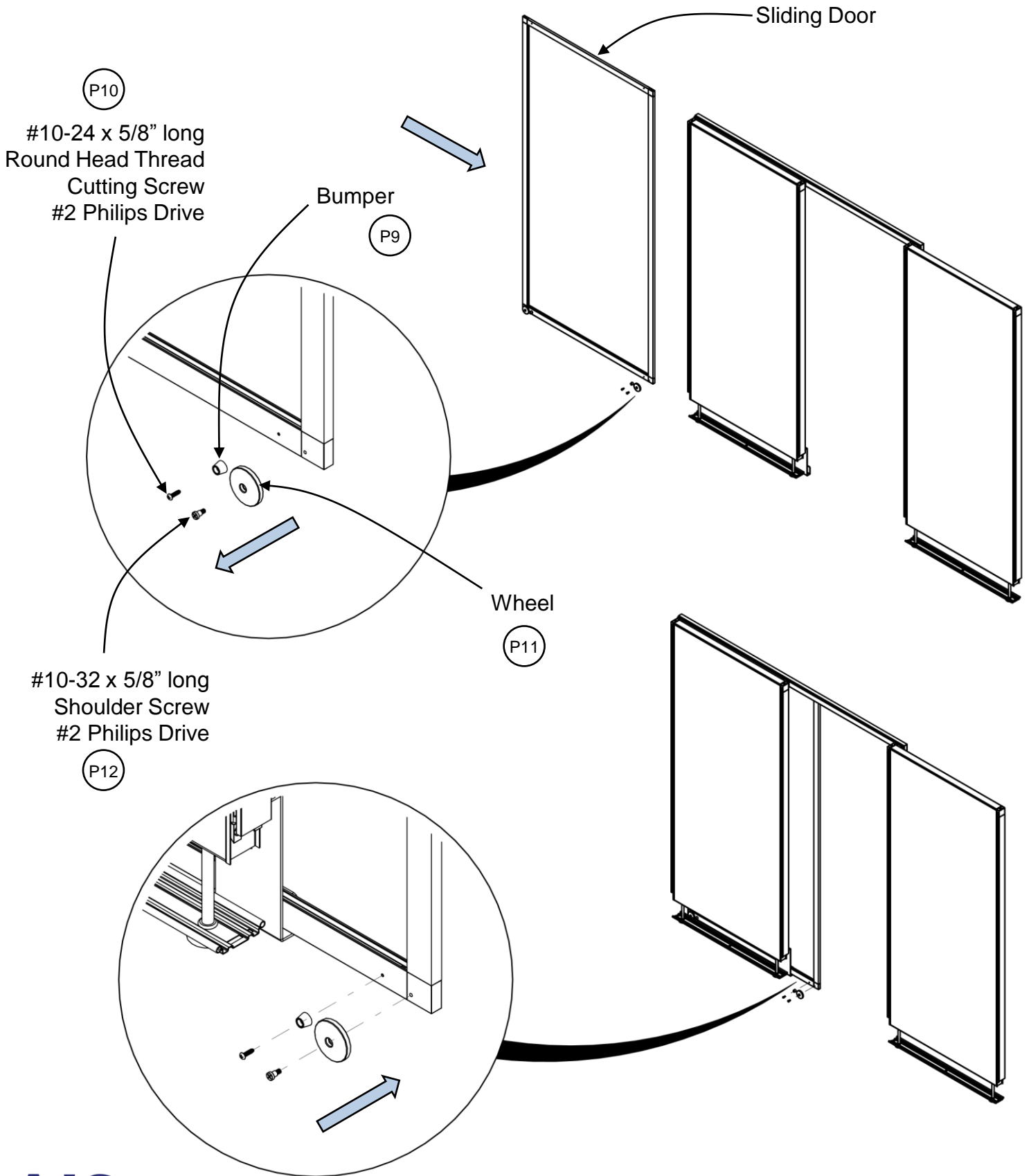


Floor

Side View

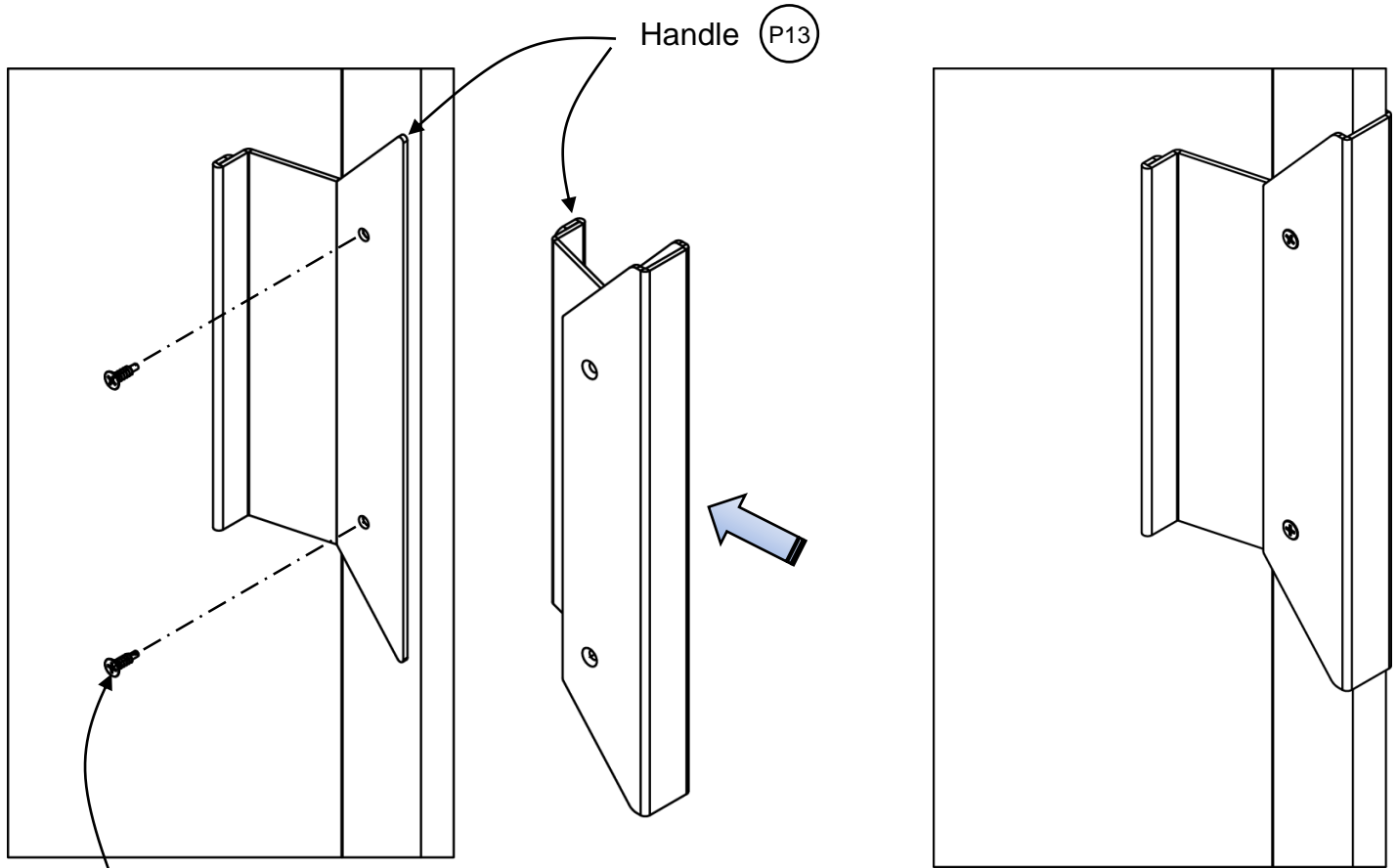
Sliding Door – AO2

Step 4 : Dis-assemble front wheel and bumper on sliding door.
Slide door into top rail and re-install wheel and bumper.



Sliding Door – AO2

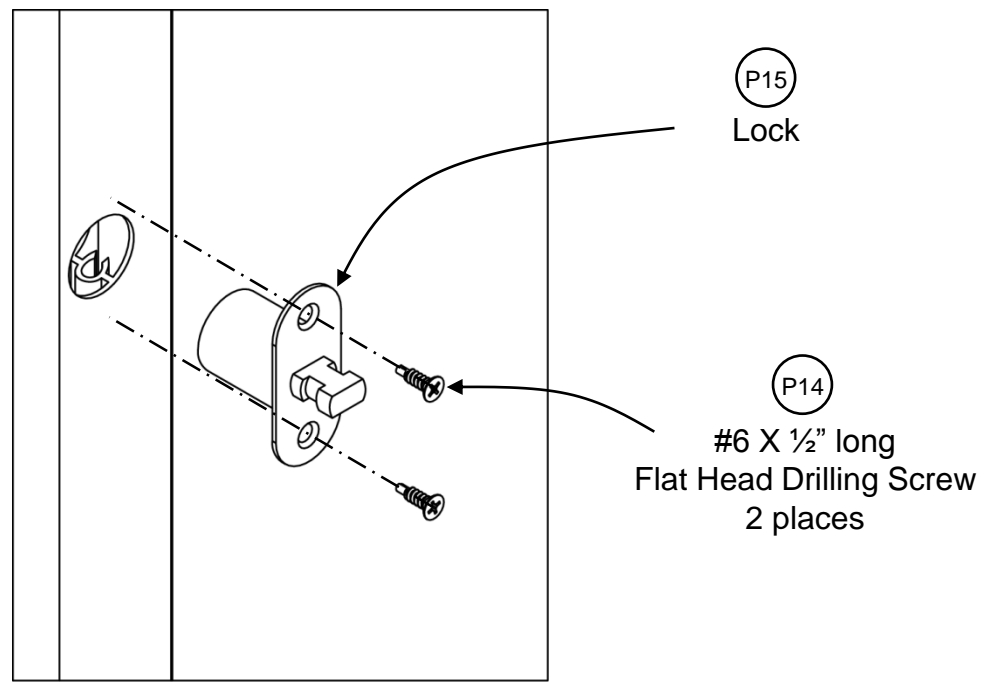
Step 5 (optional) : Install Handle.



Handle (P13)

#6 X 1/2" long Flat Head Drilling Screw (P14) 2 places

Step 6 (optional) : Install Lock.



(P15) Lock

(P14) #6 X 1/2" long Flat Head Drilling Screw 2 places

Sliding Door – AO2

Step 7 (optional) : Install Lock Bracket.

