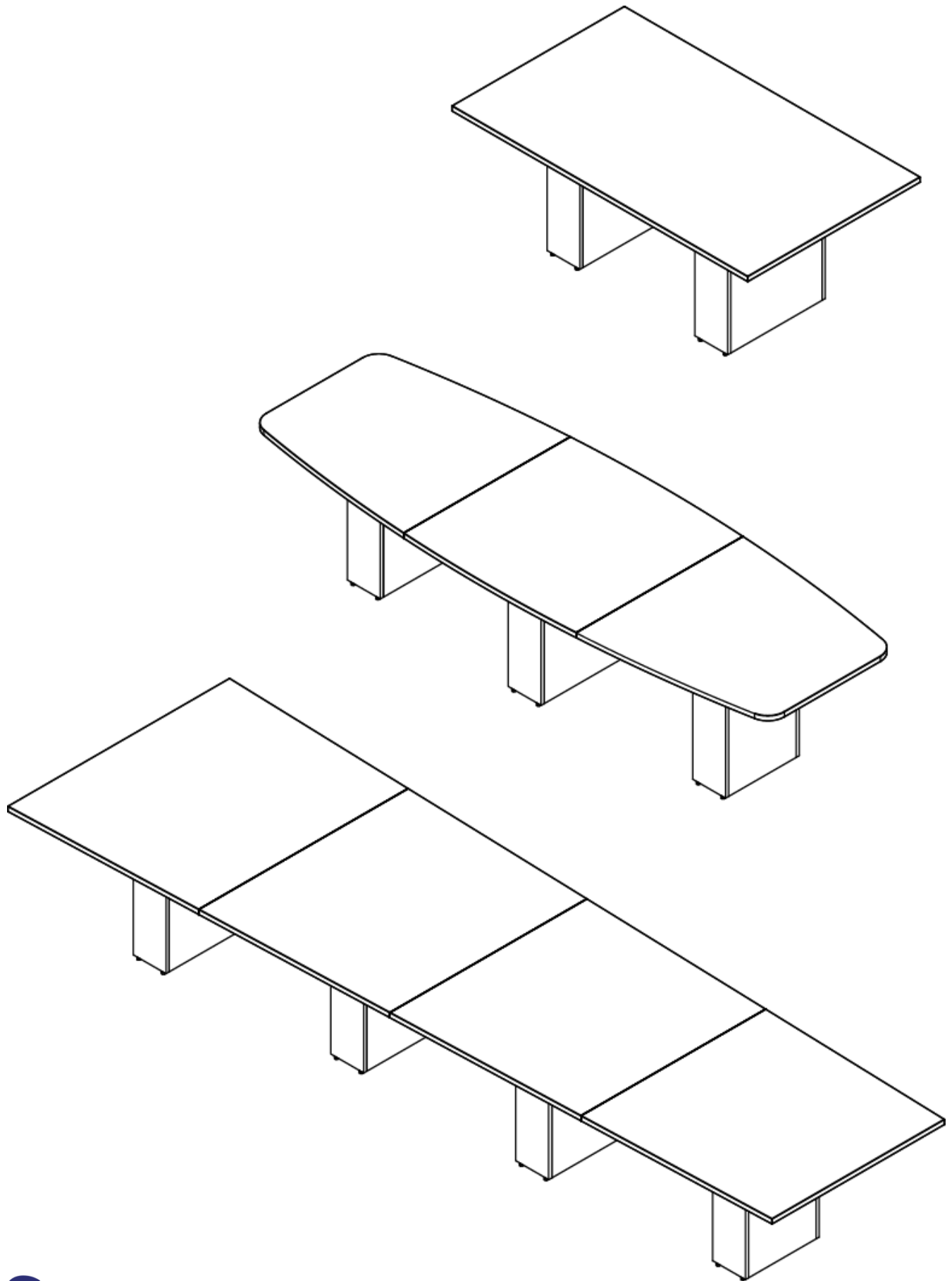


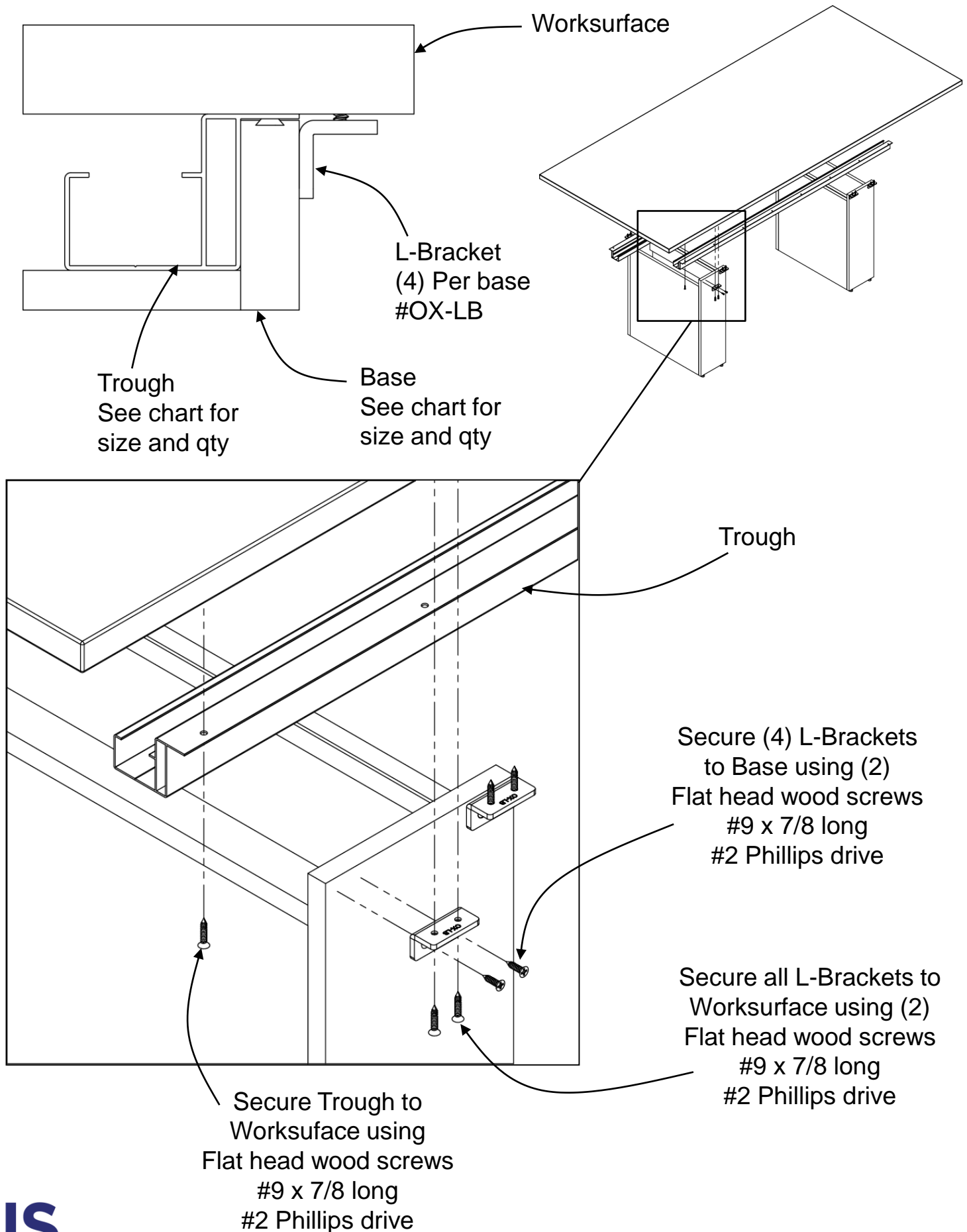
# Calibrate Conference Tables

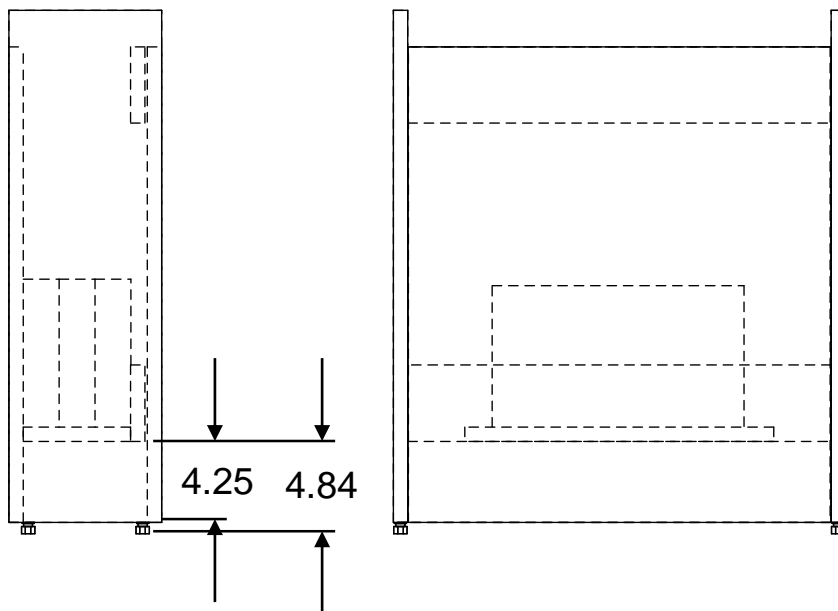
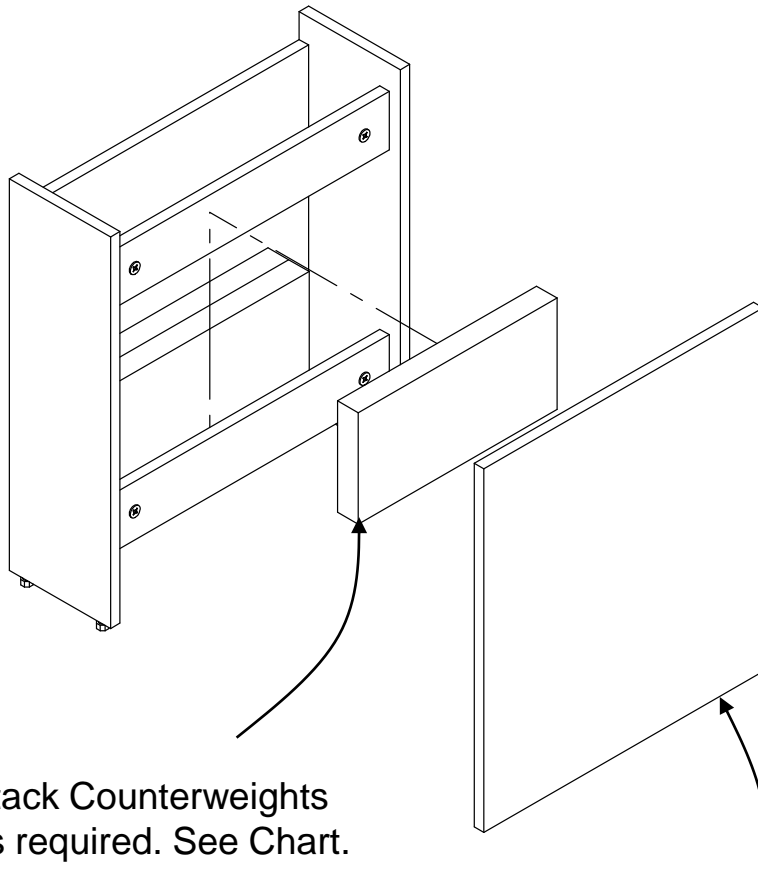


Date	Page No.	Description of change	Name
6/22/2018	1-10	Released	S. Powers
7/26/2018	10	Added flat plate installation	S. Powers
12/10/18	11	Added AIS Power Unit	S. Powers
4/10/19	4	Updated views to showing cable clearance	S. Powers

# Calibrate Conference Tables

# Trough Installation





# Calibrate Conference Tables

## 2 Base Tables

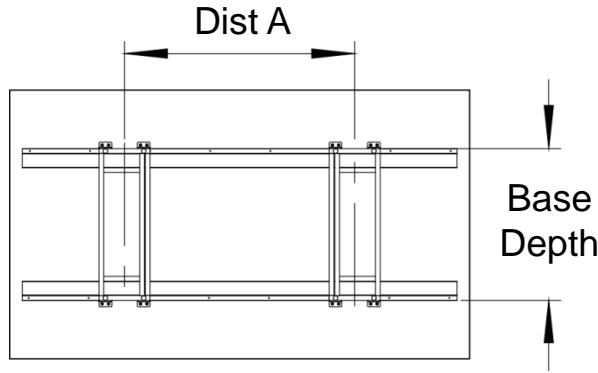


Image	Worksurface Size				Base Depth				Base Qty	Dist A	Total # of Counter weights	Trough Support A QTY	Trough Support A Length	Trough Support B QTY	Trough Support B Length
	Depth 1	Depth Mid	Depth 2	Width 1	Base 1	Base 2	Base 3	Base 4							
	42	42	42	72	24	24	na	na	2	36	0	2	44	na	na
	42	42	42	78	24	24	na	na	2	39	0	2	50	na	na
	42	42	42	84	24	24	na	na	2	42	0	2	56	na	na
	42	42	42	90	24	24	na	na	2	45	0	2	62	na	na
	42	42	42	96	24	24	na	na	2	48	0	2	68	na	na
	48	48	48	72	24	24	na	na	2	36	0	2	44	na	na
	48	48	48	78	24	24	na	na	2	39	4	2	50	na	na
	48	48	48	84	24	24	na	na	2	42	4	2	56	na	na
	48	48	48	90	24	24	na	na	2	45	4	2	62	na	na
	48	48	48	96	24	24	na	na	2	48	4	2	68	na	na
	54	54	54	72	30	30	na	na	2	36	0	2	44	na	na
	54	54	54	78	30	30	na	na	2	39	2	2	50	na	na
	54	54	54	84	30	30	na	na	2	42	2	2	56	na	na
	54	54	54	90	30	30	na	na	2	45	2	2	62	na	na
	54	54	54	96	30	30	na	na	2	48	2	2	68	na	na
	60	60	60	72	30	30	na	na	2	36	0	2	44	na	na
60	60	60	78	30	30	na	na	2	39	6	2	50	na	na	
60	60	60	84	30	30	na	na	2	42	6	2	56	na	na	
60	60	60	90	30	30	na	na	2	45	6	2	62	na	na	
60	60	60	96	30	30	na	na	2	48	6	2	68	na	na	
	30	42	30	72	24	24	na	na	2	36	0	2	44	na	na
	30	42	30	78	24	24	na	na	2	39	0	2	50	na	na
	30	42	30	84	24	24	na	na	2	42	0	2	56	na	na
	30	42	30	90	24	24	na	na	2	45	0	2	62	na	na
	30	42	30	96	24	24	na	na	2	48	0	2	68	na	na
	36	48	36	72	24	24	na	na	2	36	0	2	44	na	na
	36	48	36	78	24	24	na	na	2	39	4	2	50	na	na
	36	48	36	84	24	24	na	na	2	42	4	2	56	na	na
	36	48	36	90	24	24	na	na	2	45	4	2	62	na	na
	36	48	36	96	24	24	na	na	2	48	4	2	68	na	na
	42	54	42	72	30	30	na	na	2	36	0	2	44	na	na
	42	54	42	78	30	30	na	na	2	39	2	2	50	na	na
	42	54	42	84	30	30	na	na	2	42	2	2	56	na	na
	42	54	42	90	30	30	na	na	2	45	2	2	62	na	na
	42	54	42	96	30	30	na	na	2	48	2	2	68	na	na
	48	60	48	72	30	30	na	na	2	36	0	2	44	na	na
48	60	48	78	30	30	na	na	2	39	6	2	50	na	na	
48	60	48	84	30	30	na	na	2	42	6	2	56	na	na	
48	60	48	90	30	30	na	na	2	45	6	2	62	na	na	
48	60	48	96	30	30	na	na	2	48	6	2	68	na	na	
	42	48	54	72	18	24	na	na	2	36	2	2	44	na	na
	42	48	54	78	18	24	na	na	2	39	4	2	50	na	na
	42	48	54	84	18	24	na	na	2	42	4	2	56	na	na
	42	48	54	90	18	24	na	na	2	45	4	2	62	na	na
	42	48	54	96	18	24	na	na	2	48	4	2	68	na	na
	48	54	60	72	24	30	na	na	2	36	4	2	44	na	na
	48	54	60	78	24	30	na	na	2	39	4	2	50	na	na
	48	54	60	84	24	30	na	na	2	42	4	2	56	na	na
48	54	60	90	24	30	na	na	2	45	4	2	62	na	na	
48	54	60	96	24	30	na	na	2	48	4	2	68	na	na	

# Calibrate Conference Tables

## 3 Base Tables

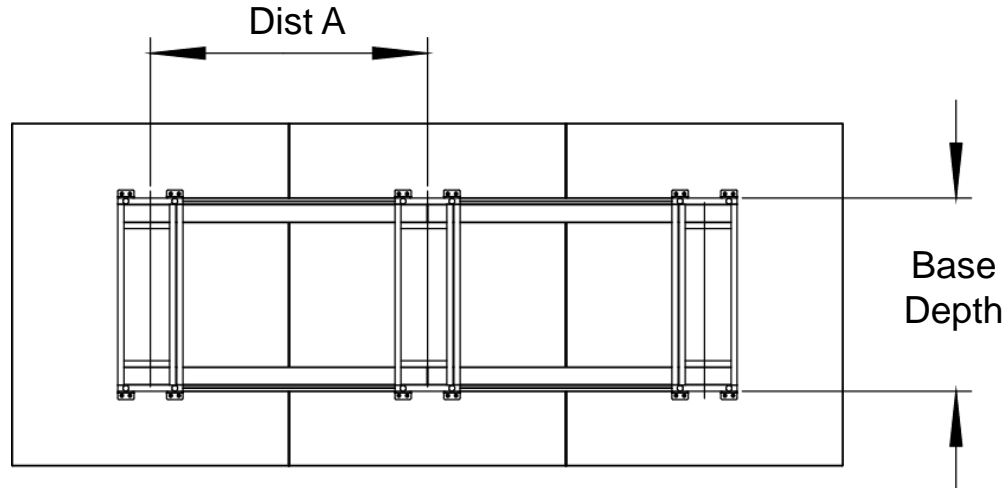
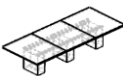

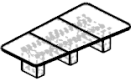


Image	Worksurface Size				Base Depth				Base Qty	Dist A	Total # of Counter weights	Trough Support A QTY	Trough Support A Length	Trough Support B QTY	Trough Support B Length
	Depth 1	Depth Mid	Depth 2	Width 1	Base 1	Base 2	Base 3	Base 4							
	42	42	42	102	24	24	24	na	3	34	0	4	37 15/16	n/a	n/a
	42	42	42	108	24	24	24	na	3	36	0	4	39 15/16	n/a	n/a
	42	42	42	114	24	24	24	na	3	38	0	4	42 15/16	n/a	n/a
	42	42	42	120	24	24	24	na	3	40	0	4	45 15/16	n/a	n/a
	42	42	42	126	24	24	24	na	3	42	0	4	48 15/16	n/a	n/a
	42	42	42	132	24	24	24	na	3	44	0	4	51 15/16	n/a	n/a
	42	42	42	138	24	24	24	na	3	46	0	4	54 15/16	n/a	n/a
	42	42	42	144	24	24	24	na	3	48	0	4	57 15/16	n/a	n/a
	48	48	48	102	24	24	24	na	3	34	0	4	37 15/16	n/a	n/a
	48	48	48	108	24	24	24	na	3	36	0	4	39 15/16	n/a	n/a
	48	48	48	114	24	24	24	na	3	38	0	4	42 15/16	n/a	n/a
	48	48	48	120	24	24	24	na	3	40	0	4	45 15/16	n/a	n/a
	48	48	48	126	24	24	24	na	3	42	0	4	48 15/16	n/a	n/a
	48	48	48	132	24	24	24	na	3	44	0	4	51 15/16	n/a	n/a
	48	48	48	138	24	24	24	na	3	46	0	4	54 15/16	n/a	n/a
	48	48	48	144	24	24	24	na	3	48	0	4	57 15/16	n/a	n/a
	54	54	54	102	30	30	30	na	3	34	0	4	37 15/16	n/a	n/a
	54	54	54	108	30	30	30	na	3	36	0	4	39 15/16	n/a	n/a
	54	54	54	114	30	30	30	na	3	38	0	4	42 15/16	n/a	n/a
	54	54	54	120	30	30	30	na	3	40	0	4	45 15/16	n/a	n/a
	54	54	54	126	30	30	30	na	3	42	0	4	48 15/16	n/a	n/a
	54	54	54	132	30	30	30	na	3	44	0	4	51 15/16	n/a	n/a
	54	54	54	138	30	30	30	na	3	46	0	4	54 15/16	n/a	n/a
	54	54	54	144	30	30	30	na	3	48	0	4	57 15/16	n/a	n/a
	60	60	60	102	30	30	30	na	3	34	6	4	37 15/16	n/a	n/a
	60	60	60	108	30	30	30	na	3	36	6	4	39 15/16	n/a	n/a
	60	60	60	114	30	30	30	na	3	38	6	4	42 15/16	n/a	n/a
	60	60	60	120	30	30	30	na	3	40	6	4	45 15/16	n/a	n/a
	60	60	60	126	30	30	30	na	3	42	6	4	48 15/16	n/a	n/a
	60	60	60	132	30	30	30	na	3	44	6	4	51 15/16	n/a	n/a
	60	60	60	138	30	30	30	na	3	46	6	4	54 15/16	n/a	n/a
	60	60	60	144	30	30	30	na	3	48	6	4	57 15/16	n/a	n/a

# Calibrate Conference Tables

# 3 Base Tables Cont'd

Image	Worksurface Size				Base Depth				Base Qty	Dist A	Total # of Counter weights	Trough Support A QTY	Trough Support A Length	Trough Support B QTY	Trough Support B Length
	Depth 1	Depth Mid	Depth 2	Width 1	Base 1	Base 2	Base 3	Base 4							
	30	42	30	102	18	24	18	na	3	34	0	4	37 15/16	n/a	n/a
	30	42	30	108	18	24	18	na	3	36	0	4	39 15/16	n/a	n/a
	30	42	30	114	18	24	18	na	3	38	0	4	42 15/16	n/a	n/a
	30	42	30	120	18	24	18	na	3	40	0	4	45 15/16	n/a	n/a
	30	42	30	126	18	24	18	na	3	42	0	4	48 15/16	n/a	n/a
	30	42	30	132	18	24	18	na	3	44	0	4	51 15/16	n/a	n/a
	30	42	30	138	18	24	18	na	3	46	0	4	54 15/16	n/a	n/a
	30	42	30	144	18	24	18	na	3	48	0	4	57 15/16	n/a	n/a
	36	48	36	102	18	24	18	na	3	34	0	4	37 15/16	n/a	n/a
	36	48	36	108	18	24	18	na	3	36	0	4	39 15/16	n/a	n/a
	36	48	36	114	18	24	18	na	3	38	0	4	42 15/16	n/a	n/a
	36	48	36	120	18	24	18	na	3	40	0	4	45 15/16	n/a	n/a
	36	48	36	126	18	24	18	na	3	42	0	4	48 15/16	n/a	n/a
	36	48	36	132	18	24	18	na	3	44	0	4	51 15/16	n/a	n/a
	36	48	36	138	18	24	18	na	3	46	0	4	54 15/16	n/a	n/a
	36	48	36	144	18	24	18	na	3	48	0	4	57 15/16	n/a	n/a
	42	54	42	102	24	30	24	na	3	34	0	4	37 15/16	n/a	n/a
	42	54	42	108	24	30	24	na	3	36	0	4	39 15/16	n/a	n/a
	42	54	42	114	24	30	24	na	3	38	0	4	42 15/16	n/a	n/a
	42	54	42	120	24	30	24	na	3	40	0	4	45 15/16	n/a	n/a
	42	54	42	126	24	30	24	na	3	42	0	4	48 15/16	n/a	n/a
	42	54	42	132	24	30	24	na	3	44	0	4	51 15/16	n/a	n/a
	42	54	42	138	24	30	24	na	3	46	0	4	54 15/16	n/a	n/a
	42	54	42	144	24	30	24	na	3	48	0	4	57 15/16	n/a	n/a
	48	60	48	102	24	30	24	na	3	34	6	4	37 15/16	n/a	n/a
	48	60	48	108	24	30	24	na	3	36	6	4	39 15/16	n/a	n/a
	48	60	48	114	24	30	24	na	3	38	6	4	42 15/16	n/a	n/a
	48	60	48	120	24	30	24	na	3	40	6	4	45 15/16	n/a	n/a
	48	60	48	126	24	30	24	na	3	42	6	4	48 15/16	n/a	n/a
	48	60	48	132	24	30	24	na	3	44	6	4	51 15/16	n/a	n/a
	48	60	48	138	24	30	24	na	3	46	6	4	54 15/16	n/a	n/a
	48	60	48	144	24	30	24	na	3	48	6	4	57 15/16	n/a	n/a
	42	48	54	102	18	24	30	na	3	34	0	4	37 15/16	n/a	n/a
	42	48	54	108	18	24	30	na	3	36	0	4	39 15/16	n/a	n/a
	42	48	54	114	18	24	30	na	3	38	0	4	42 15/16	n/a	n/a
	42	48	54	120	18	24	30	na	3	40	0	4	45 15/16	n/a	n/a
	42	48	54	126	18	24	30	na	3	42	0	4	48 15/16	n/a	n/a
	42	48	54	132	18	24	30	na	3	44	0	4	51 15/16	n/a	n/a
	42	48	54	138	18	24	30	na	3	46	0	4	54 15/16	n/a	n/a
	42	48	54	144	18	24	30	na	3	48	0	4	57 15/16	n/a	n/a
	48	54	60	102	18	24	30	na	3	34	0	4	37 15/16	n/a	n/a
	48	54	60	108	18	24	30	na	3	36	0	4	39 15/16	n/a	n/a
	48	54	60	114	18	24	30	na	3	38	0	4	42 15/16	n/a	n/a
	48	54	60	120	18	24	30	na	3	40	0	4	45 15/16	n/a	n/a
	48	54	60	126	18	24	30	na	3	42	0	4	48 15/16	n/a	n/a
	48	54	60	132	18	24	30	na	3	44	0	4	51 15/16	n/a	n/a
	48	54	60	138	18	24	30	na	3	46	0	4	54 15/16	n/a	n/a
	48	54	60	144	18	24	30	na	3	48	0	4	57 15/16	n/a	n/a

# Calibrate Conference Tables

## 4 Base Tables

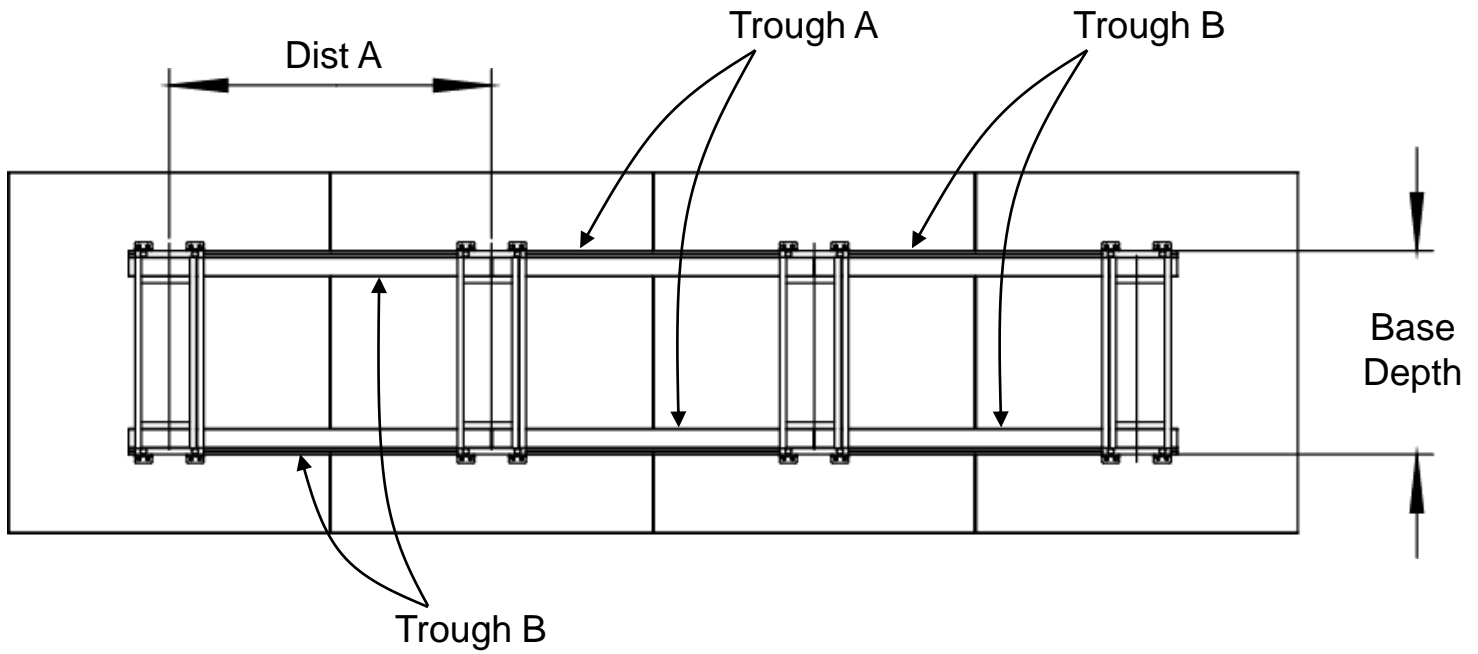

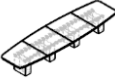
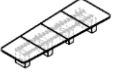


Image	Worksurface Size				Base Depth				Base Qty	Dist A	Total # of Counter weights	Trough Support A QTY	Trough Support A Length	Trough Support B QTY	Trough Support B Length
	Depth 1	Depth Mid	Depth 2	Width 1	Base 1	Base 2	Base 3	Base 4							
	42	42	42	150	24	24	24	24	4	37 1/2	0	2	37 3/8	4	42 3/16
	42	42	42	156	24	24	24	24	4	39	0	2	38 7/8	4	44 7/16
	42	42	42	162	24	24	24	24	4	40 1/2	0	2	40 3/8	4	46 11/16
	42	42	42	168	24	24	24	24	4	42	0	2	41 7/8	4	48 15/16
	42	42	42	174	24	24	24	24	4	43 1/2	0	2	43 3/8	4	51 3/16
	42	42	42	180	24	24	24	24	4	45	0	2	44 7/8	4	53 7/16
	42	42	42	186	24	24	24	24	4	46 1/2	0	2	46 3/8	4	55 11/16
	42	42	42	192	24	24	24	24	4	48	0	2	47 7/8	4	57 15/16
	48	48	48	150	24	24	24	24	4	37 1/2	0	2	37 3/8	4	42 3/16
	48	48	48	156	24	24	24	24	4	39	0	2	38 7/8	4	44 7/16
	48	48	48	162	24	24	24	24	4	40 1/2	0	2	40 3/8	4	46 11/16
	48	48	48	168	24	24	24	24	4	42	0	2	41 7/8	4	48 15/16
	48	48	48	174	24	24	24	24	4	43 1/2	0	2	43 3/8	4	51 3/16
	48	48	48	180	24	24	24	24	4	45	0	2	44 7/8	4	53 7/16
	48	48	48	186	24	24	24	24	4	46 1/2	0	2	46 3/8	4	55 11/16
	48	48	48	192	24	24	24	24	4	48	0	2	47 7/8	4	57 15/16
	54	54	54	150	30	30	30	30	4	37 1/2	0	2	37 3/8	4	42 3/16
	54	54	54	156	30	30	30	30	4	39	0	2	38 7/8	4	44 7/16
	54	54	54	162	30	30	30	30	4	40 1/2	0	2	40 3/8	4	46 11/16
	54	54	54	168	30	30	30	30	4	42	0	2	41 7/8	4	48 15/16
	54	54	54	174	30	30	30	30	4	43 1/2	0	2	43 3/8	4	51 3/16
	54	54	54	180	30	30	30	30	4	45	0	2	44 7/8	4	53 7/16
	54	54	54	186	30	30	30	30	4	46 1/2	0	2	46 3/8	4	55 11/16
	54	54	54	192	30	30	30	30	4	48	0	2	47 7/8	4	57 15/16
	60	60	60	150	30	30	30	30	4	37 1/2	12	2	37 3/8	4	42 3/16
	60	60	60	156	30	30	30	30	4	39	12	2	38 7/8	4	44 7/16
	60	60	60	162	30	30	30	30	4	40 1/2	12	2	40 3/8	4	46 11/16
	60	60	60	168	30	30	30	30	4	42	12	2	41 7/8	4	48 15/16
	60	60	60	174	30	30	30	30	4	43 1/2	12	2	43 3/8	4	51 3/16
	60	60	60	180	30	30	30	30	4	45	12	2	44 7/8	4	53 7/16
	60	60	60	186	30	30	30	30	4	46 1/2	12	2	46 3/8	4	55 11/16
	60	60	60	192	30	30	30	30	4	48	12	2	47 7/8	4	57 15/16



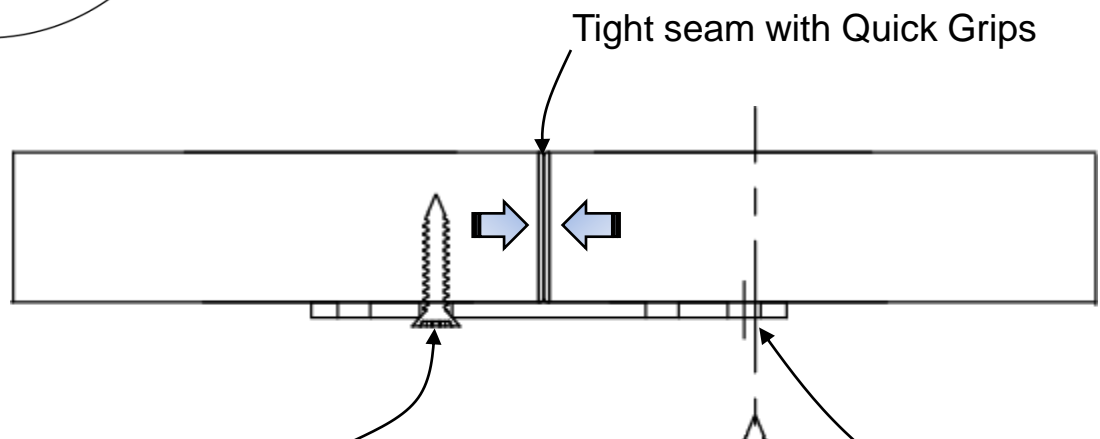
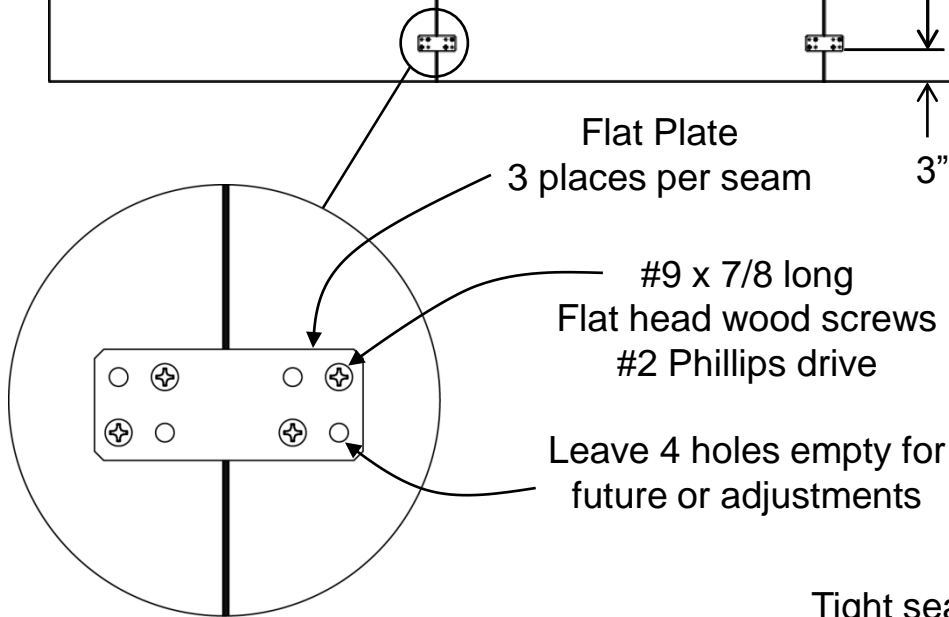
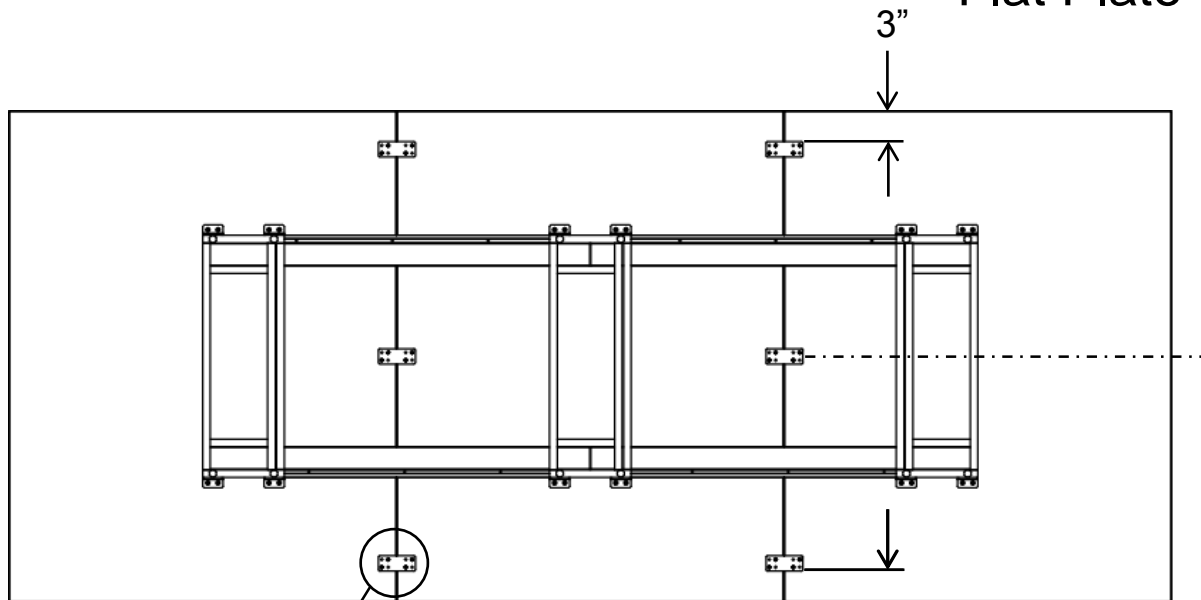
# Calibrate Conference Tables

# 4 Base Tables Cont'd

Image	Worksurface Size				Base Depth				Base Qty	Dist A	Total # of Counter weights	Trough Support A QTY	Trough Support A Length	Trough Support B QTY	Trough Support B Length
	Depth 1	Depth Mid	Depth 2	Width 1	Base 1	Base 2	Base 3	Base 4							
	30	42	30	150	18	24	24	18	4	37 1/2	0	2	37 3/8	4	42 3/16
	30	42	30	156	18	24	24	18	4	39	0	2	38 7/8	4	44 7/16
	30	42	30	162	18	24	24	18	4	40 1/2	0	2	40 3/8	4	46 11/16
	30	42	30	168	18	24	24	18	4	42	0	2	41 7/8	4	48 15/16
	30	42	30	174	18	24	24	18	4	43 1/2	0	2	43 3/8	4	51 3/16
	30	42	30	180	18	24	24	18	4	45	0	2	44 7/8	4	53 7/16
	30	42	30	186	18	24	24	18	4	46 1/2	0	2	46 3/8	4	55 11/16
	30	42	30	192	18	24	24	18	4	48	0	2	47 7/8	4	57 15/16
	36	48	36	150	18	24	24	18	4	37 1/2	0	2	37 3/8	4	42 3/16
	36	48	36	156	18	24	24	18	4	39	0	2	38 7/8	4	44 7/16
	36	48	36	162	18	24	24	18	4	40 1/2	0	2	40 3/8	4	46 11/16
	36	48	36	168	18	24	24	18	4	42	0	2	41 7/8	4	48 15/16
	36	48	36	174	18	24	24	18	4	43 1/2	0	2	43 3/8	4	51 3/16
	36	48	36	180	18	24	24	18	4	45	0	2	44 7/8	4	53 7/16
	36	48	36	186	18	24	24	18	4	46 1/2	0	2	46 3/8	4	55 11/16
	36	48	36	192	18	24	24	18	4	48	0	2	47 7/8	4	57 15/16
	42	54	42	150	24	30	30	24	4	37 1/2	0	2	37 3/8	4	42 3/16
	42	54	42	156	24	30	30	24	4	39	0	2	38 7/8	4	44 7/16
	42	54	42	162	24	30	30	24	4	40 1/2	0	2	40 3/8	4	46 11/16
	42	54	42	168	24	30	30	24	4	42	0	2	41 7/8	4	48 15/16
42	54	42	174	24	30	30	24	4	43 1/2	0	2	43 3/8	4	51 3/16	
42	54	42	180	24	30	30	24	4	45	0	2	44 7/8	4	53 7/16	
42	54	42	186	24	30	30	24	4	46 1/2	0	2	46 3/8	4	55 11/16	
42	54	42	192	24	30	30	24	4	48	0	2	47 7/8	4	57 15/16	
48	60	48	150	24	30	30	24	4	37 1/2	12	2	37 3/8	4	42 3/16	
48	60	48	156	24	30	30	24	4	39	12	2	38 7/8	4	44 7/16	
48	60	48	162	24	30	30	24	4	40 1/2	12	2	40 3/8	4	46 11/16	
48	60	48	168	24	30	30	24	4	42	12	2	41 7/8	4	48 15/16	
48	60	48	174	24	30	30	24	4	43 1/2	12	2	43 3/8	4	51 3/16	
48	60	48	180	24	30	30	24	4	45	12	2	44 7/8	4	53 7/16	
48	60	48	186	24	30	30	24	4	46 1/2	12	2	46 3/8	4	55 11/16	
48	60	48	192	24	30	30	24	4	48	12	2	47 7/8	4	57 15/16	
	42	48	54	150	18	24	24	30	4	37 1/2	0	2	37 3/8	4	42 3/16
	42	48	54	156	18	24	24	30	4	39	0	2	38 7/8	4	44 7/16
	42	48	54	162	18	24	24	30	4	40 1/2	0	2	40 3/8	4	46 11/16
	42	48	54	168	18	24	24	30	4	42	0	2	41 7/8	4	48 15/16
	42	48	54	174	18	24	24	30	4	43 1/2	0	2	43 3/8	4	51 3/16
	42	48	54	180	18	24	24	30	4	45	0	2	44 7/8	4	53 7/16
	42	48	54	186	18	24	24	30	4	46 1/2	0	2	46 3/8	4	55 11/16
	42	48	54	192	18	24	24	30	4	48	0	2	47 7/8	4	57 15/16
	48	54	60	150	18	24	24	30	4	37 1/2	0	2	37 3/8	4	42 3/16
	48	54	60	156	18	24	24	30	4	39	0	2	38 7/8	4	44 7/16
	48	54	60	162	18	24	24	30	4	40 1/2	0	2	40 3/8	4	46 11/16
	48	54	60	168	18	24	24	30	4	42	0	2	41 7/8	4	48 15/16
	48	54	60	174	18	24	24	30	4	43 1/2	0	2	43 3/8	4	51 3/16
	48	54	60	180	18	24	24	30	4	45	0	2	44 7/8	4	53 7/16
48	54	60	186	18	24	24	30	4	46 1/2	0	2	46 3/8	4	55 11/16	
48	54	60	192	18	24	24	30	4	48	0	2	47 7/8	4	57 15/16	

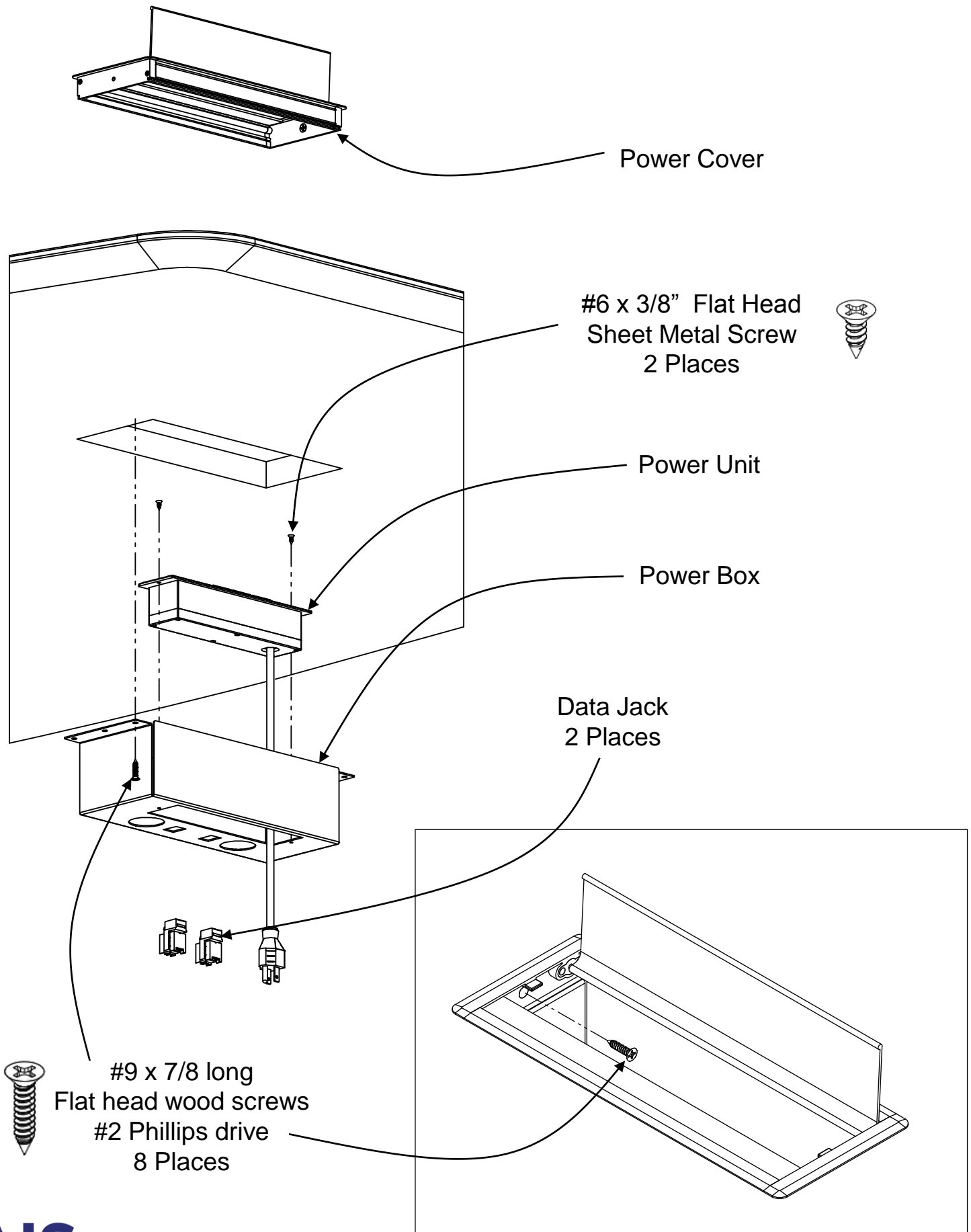
# Calibrate Conference Tables

Flat Plate



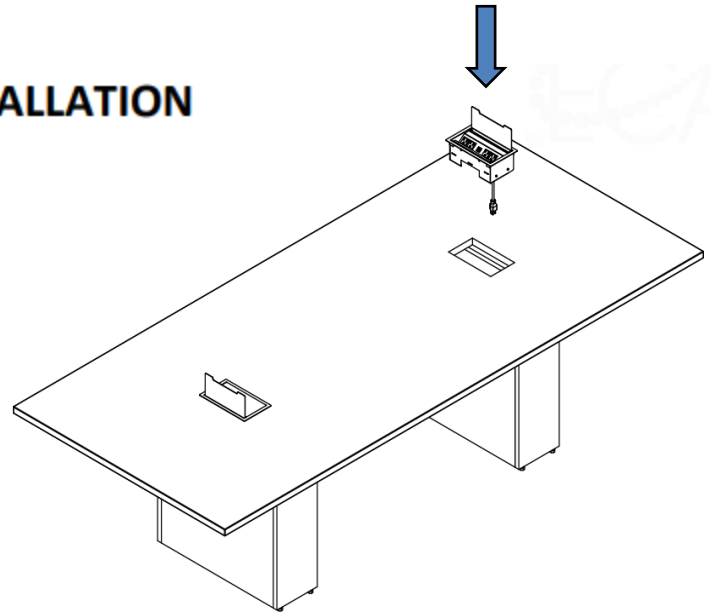
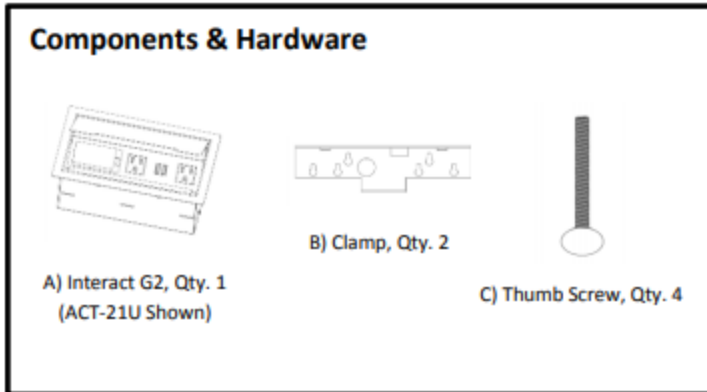
- First install 2 screws to one worksurface
- Then, align worksurfaces and install 2 screws off center from flat plate hole, (side of hole farthest away from seam). This will insure that the flat plate will create a tight seam between 2 worksurfaces.





# Calibrate Conference Tables

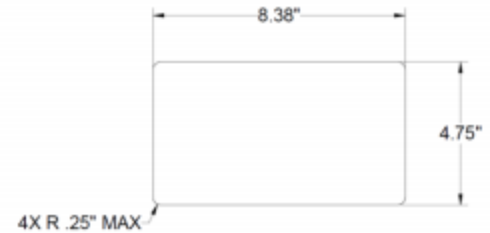
## INTERACT AND INTERACT IV G2 INSTALLATION



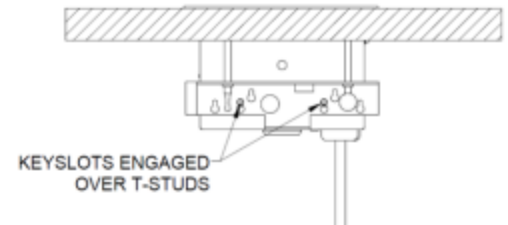
**For use with:** This product fits tables .875" – 2" thick.

**Note:** A licensed electrician should make the hardwire connections.

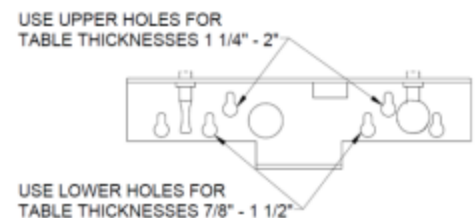
**1-** Locate and cut the hole for the Interact G2 (4.75" x 8.38" with .25" max corner radii). Insert the Interact G2 (A) into the cutout from above.



**2-** Key slots in clamps (B) engage over T-studs in Interact G2 (A) and thumb screws (C) tighten against the underside of the table. Use appropriate key slots to clamp into position (see detail A). Note: outermost key slots in clamp (B) are not used for this product.



**3-** Connect all power and data cabling as needed.



**4-** Connections for hardwire units:

Black wire – circuit hot  
White wire – circuit neutral  
Green wire – circuit ground

Detail A