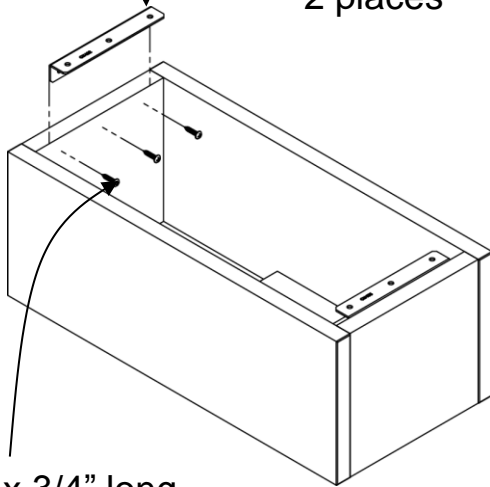


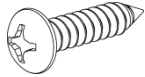
Calibrate Installation

Floating Runoff Assembly

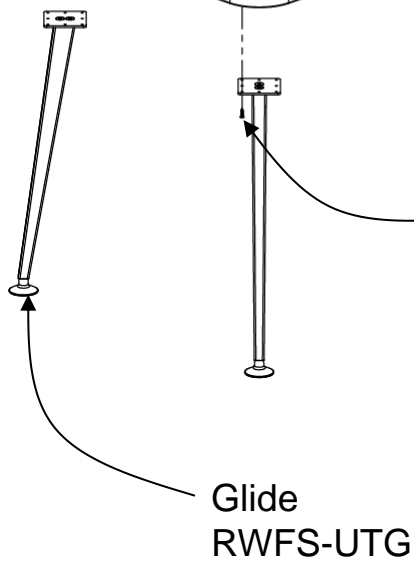
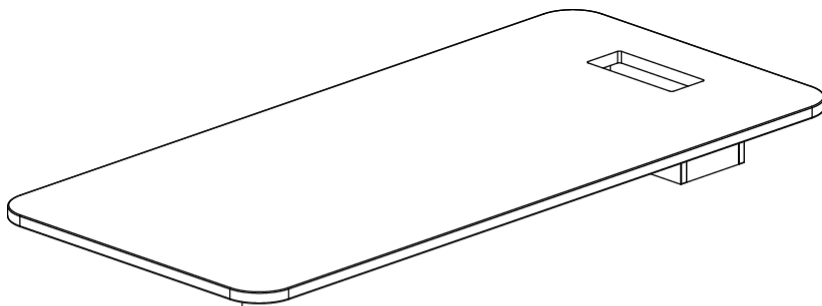
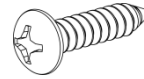
Bracket
O-LB2
2 places



#8 x 3/4" long
Round head screw
#2 Philips drive
6 places
RS-HS834

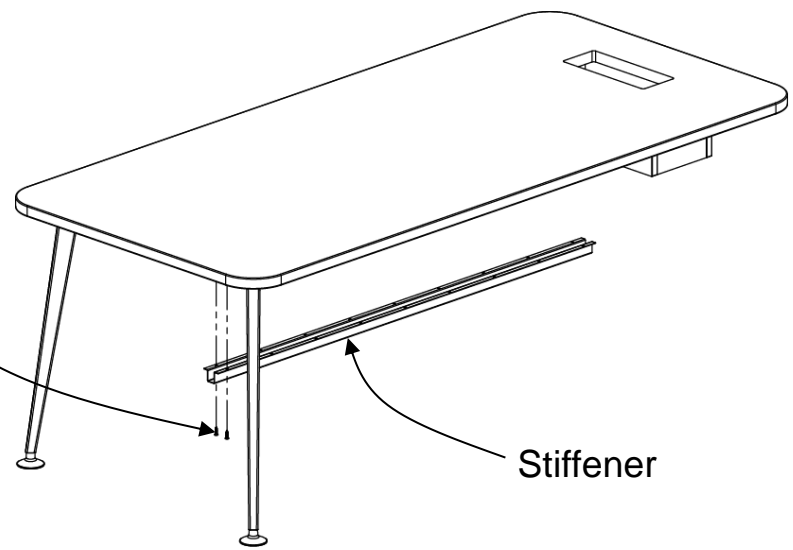
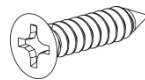


#8 x 3/4" long
Round head screw
#2 Philips drive
6 places
RS-HS834



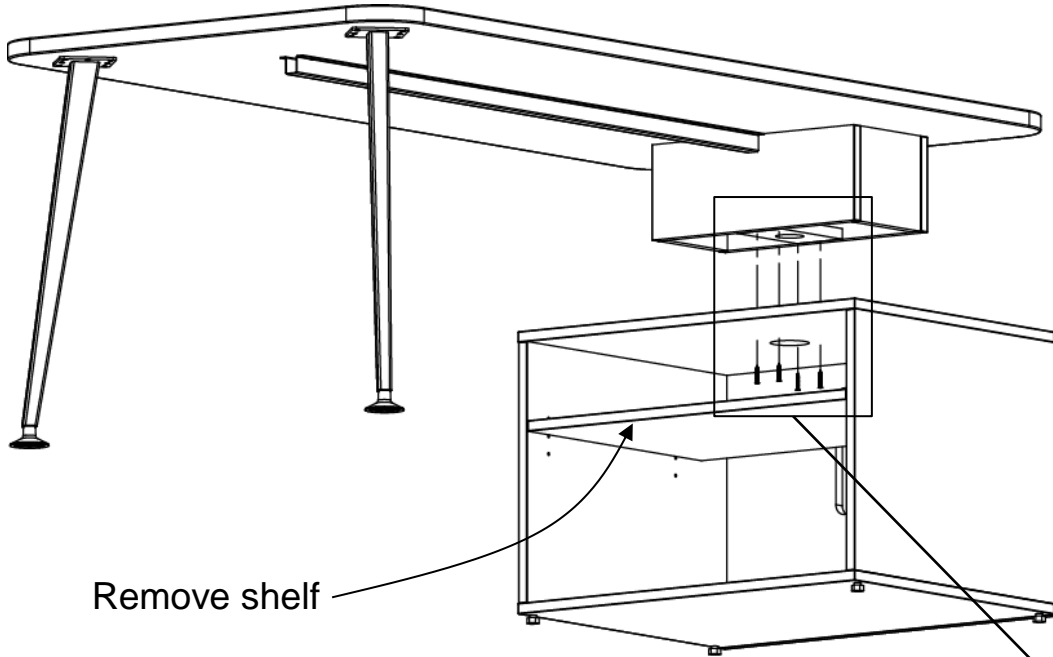
Glide
RWFS-UTG

#9 x 7/8" long
Flat head screw
#2 Philips drive
RH-QS0978



Stiffener





Remove shelf

#8 x 1 1/4" long
Flat head wood screw
#2 Philips drive
4 places
RH-01023068

