




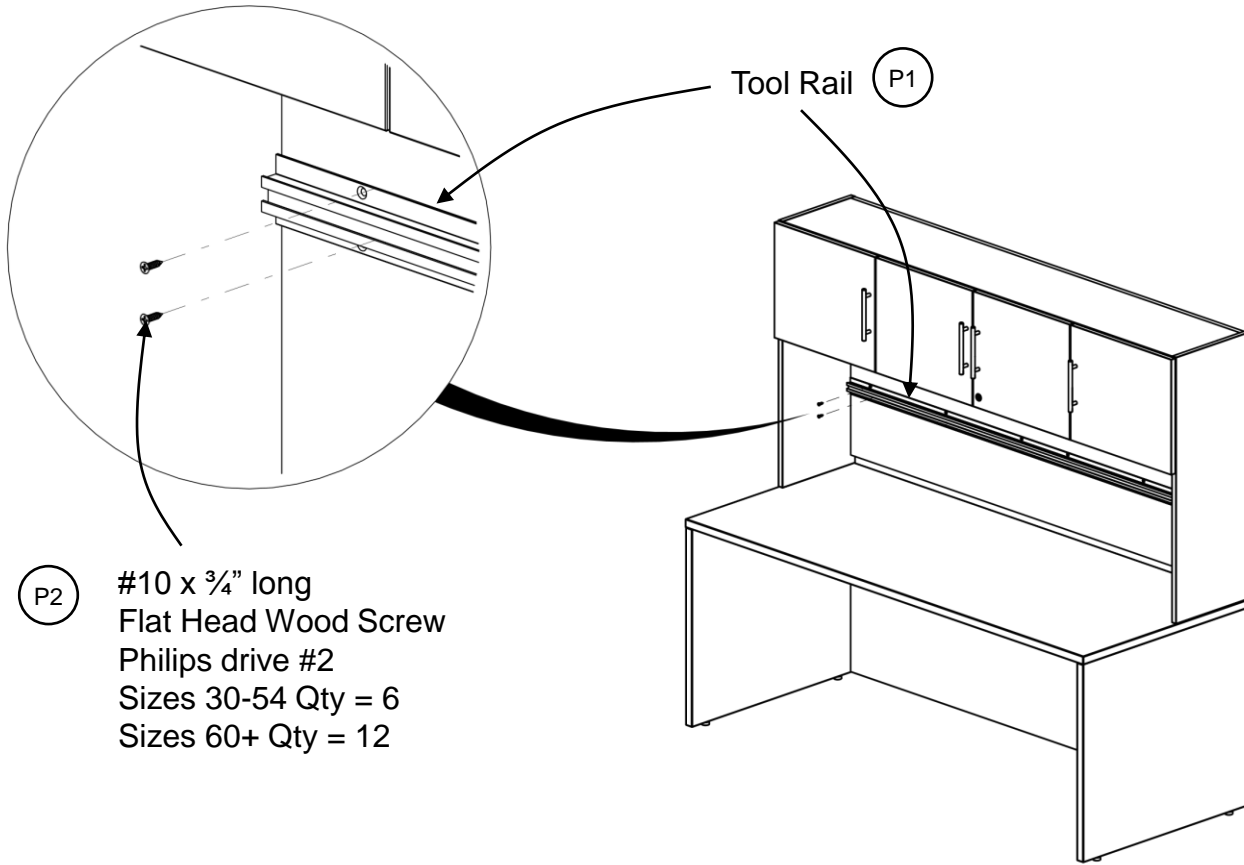
Date	Page No.	Description of change	Name
12/14/2020	1-6	Updated screws. New format	S. Powers

Item	Replacement Part number	Circle Sheet Part Number	Description	Image
P1	RL-TRxx	RL-TRxx	Tool Rail	
P2	RH-WSFP1034	RH-WSFP1034	#10 x 3/4" long Flat Head Wood Screw	
P3	A-WMTBB	RA-WMTBB	Tackboard Brackets	

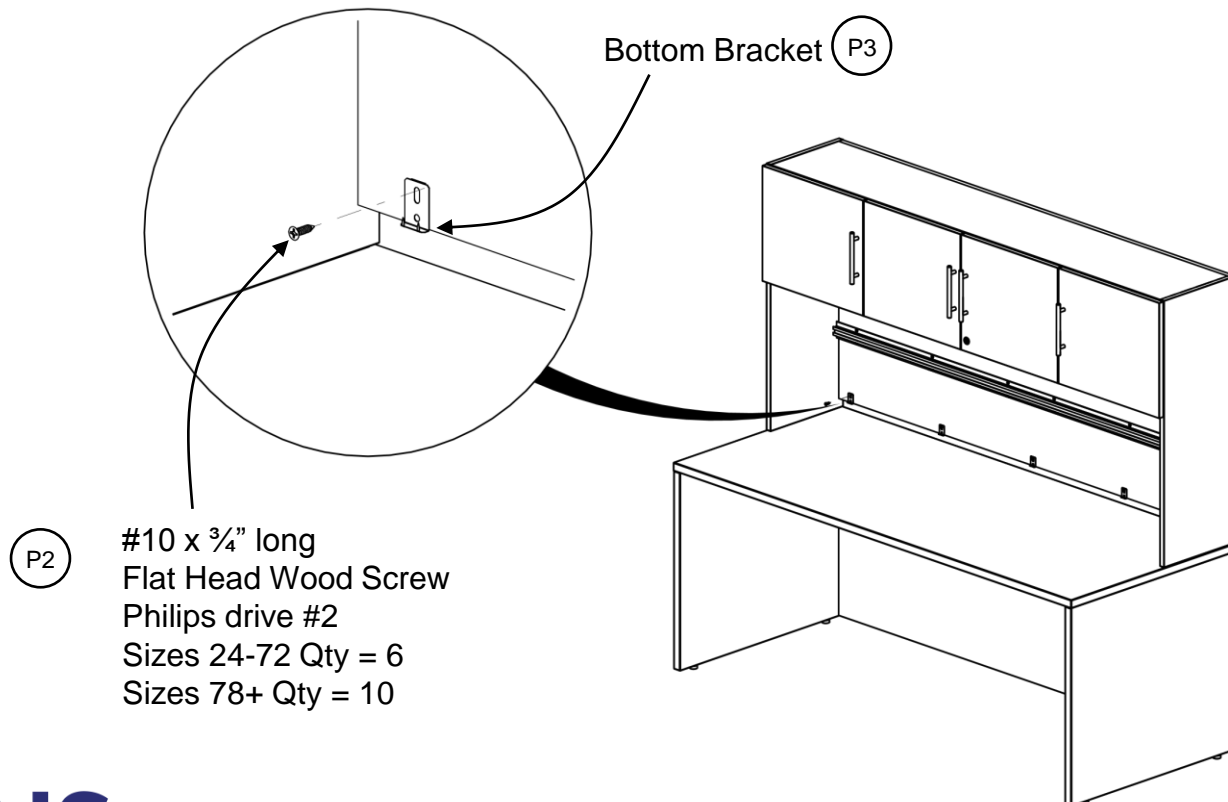
Calibrate Tackboard Installation

Hutch Mount Tackboard

Step 1: Center tool rail (if required) on hutch wall and secure with #10 x 3/4" long screws.



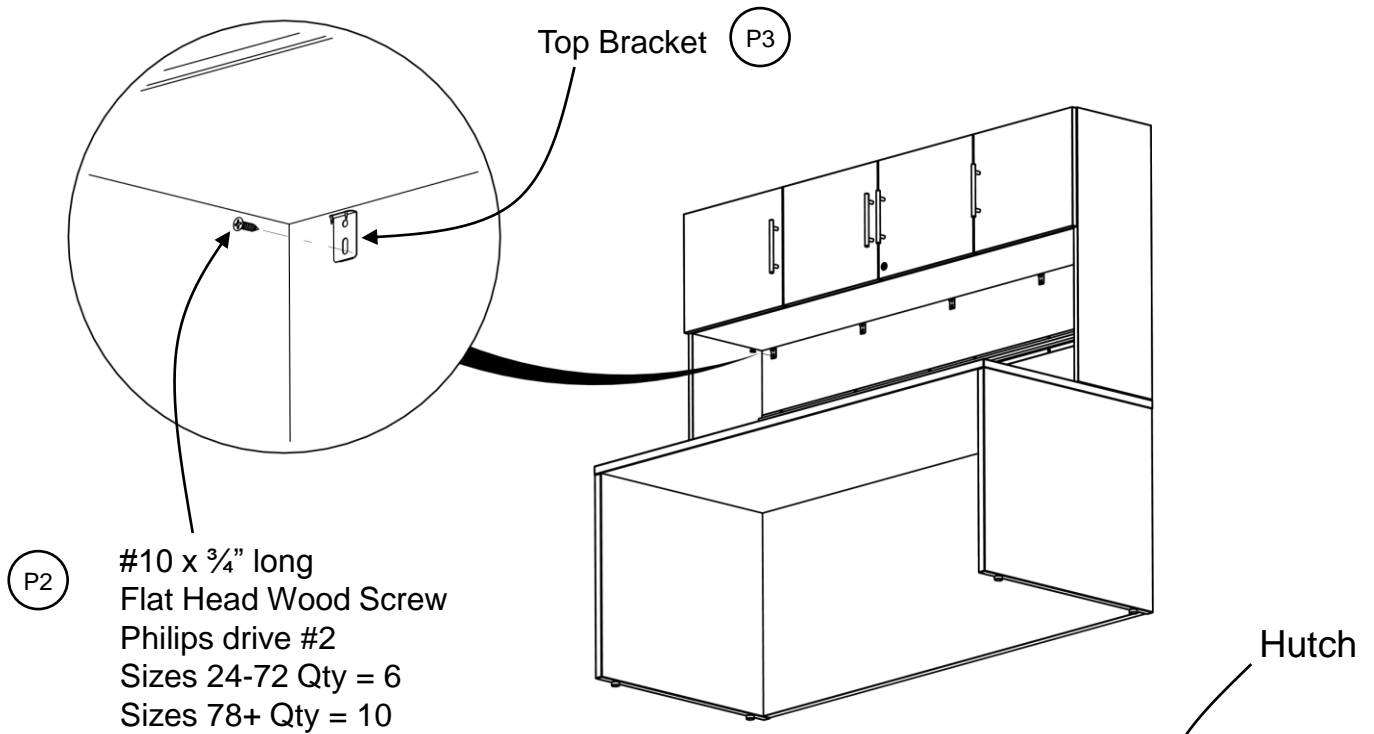
Step 2: Install bottom mounting brackets to bottom of hutch and secure with #10 x 3/4" long screws.



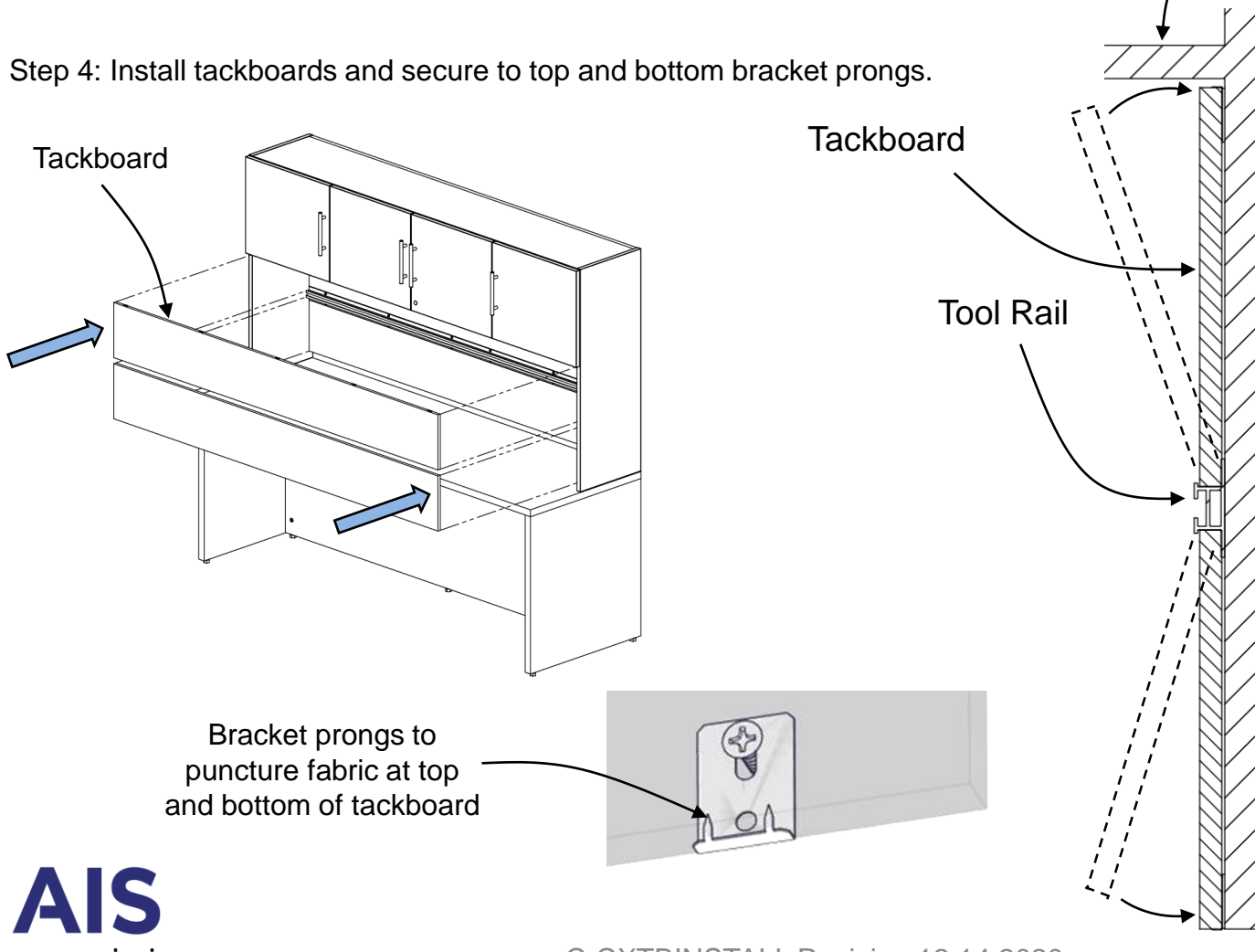
Calibrate Tackboard Installation

Hutch Mount Tackboard

Step 3: Install top mounting brackets to top of hutch and secure with #10 x 3/4" long screws.



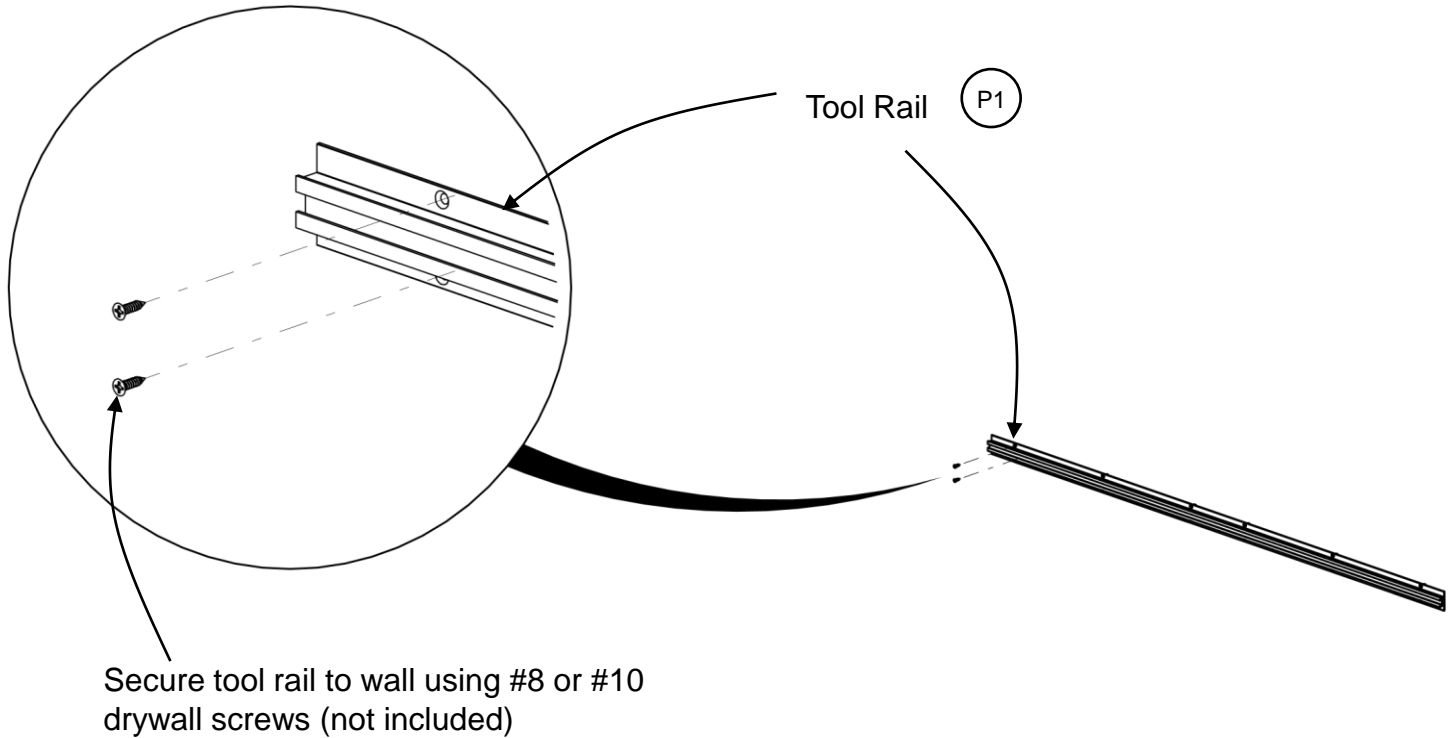
Step 4: Install tackboards and secure to top and bottom bracket prongs.



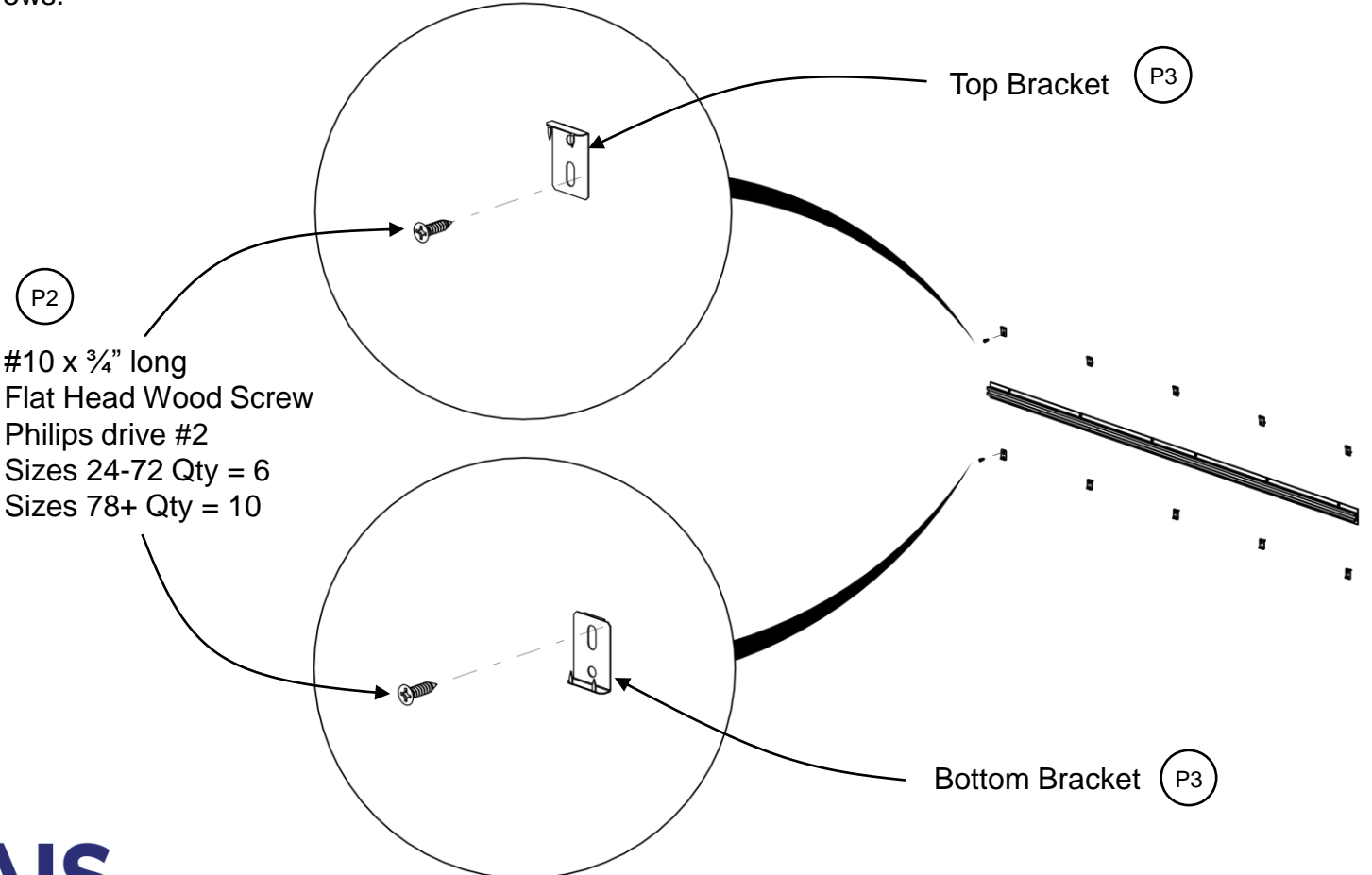
Calibrate Tackboard Installation

Wall Mount Tackboard

Step 1: Secure tool rail (if required) on wall with #8 or #10 drywall screws (not included).



Step 2: Position top and bottom brackets to desired tackboard height and secure to wall with #10 x 3/4" long screws.



Step 3: Install tackboards and secure to top and bottom bracket prongs.

