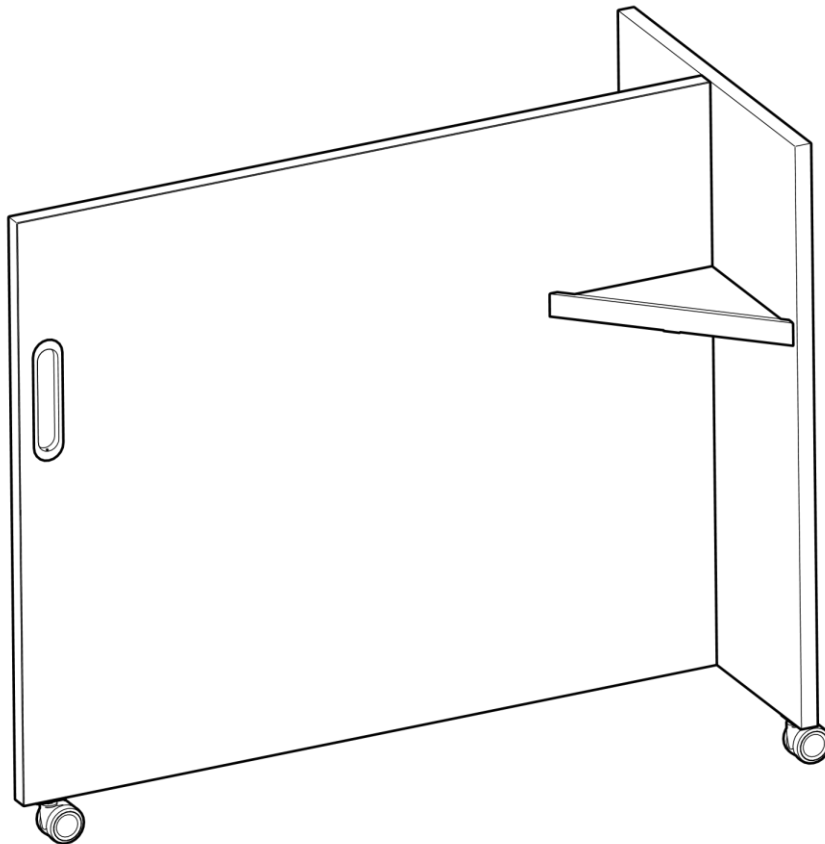
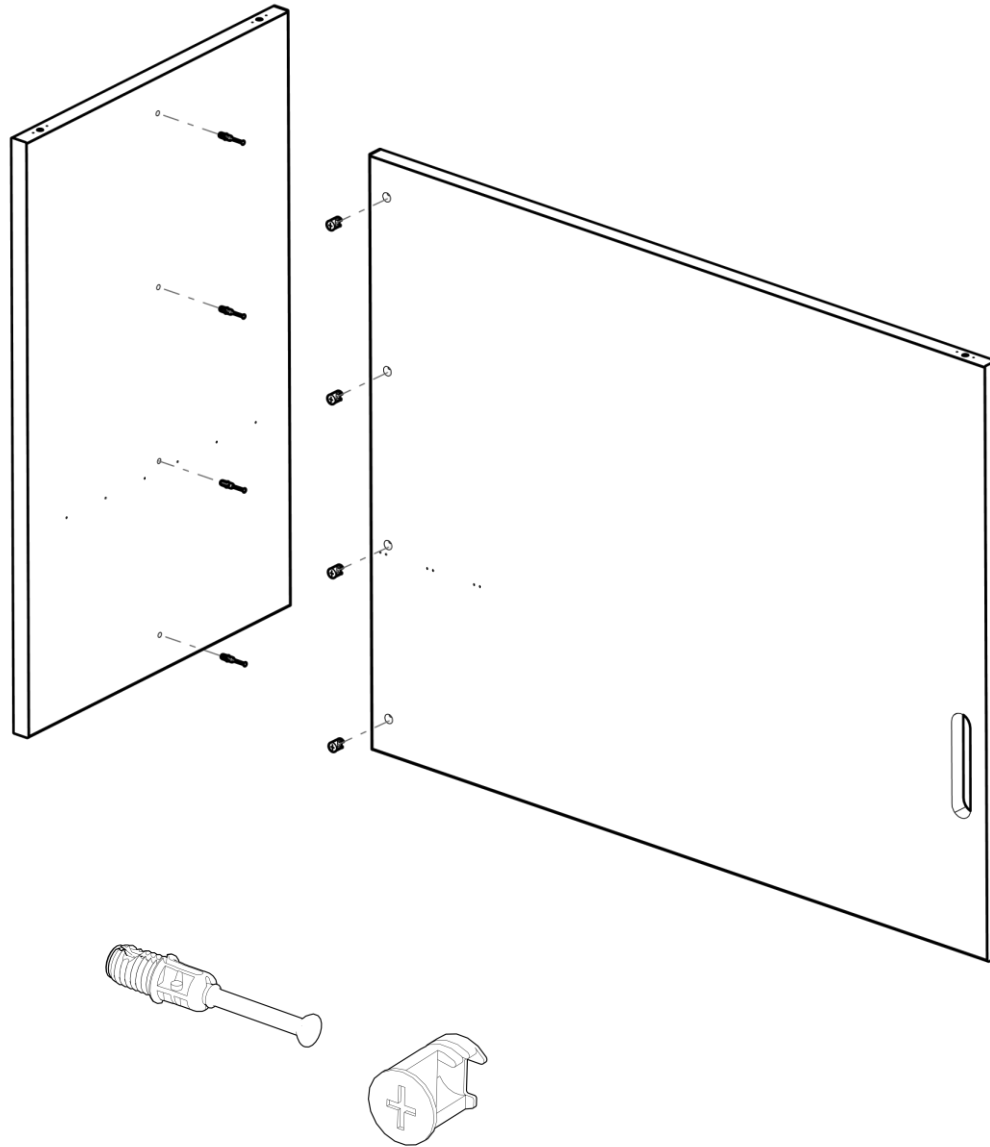


Mobile Laminate Whiteboard

Date	Page No.	Description of change	Name
2/19/2020	1-5	Released	P. Fortin
2/25/2020	5	Insert pg 5 for Inset Handle	P. Fortin



Mobile Laminate Whiteboard

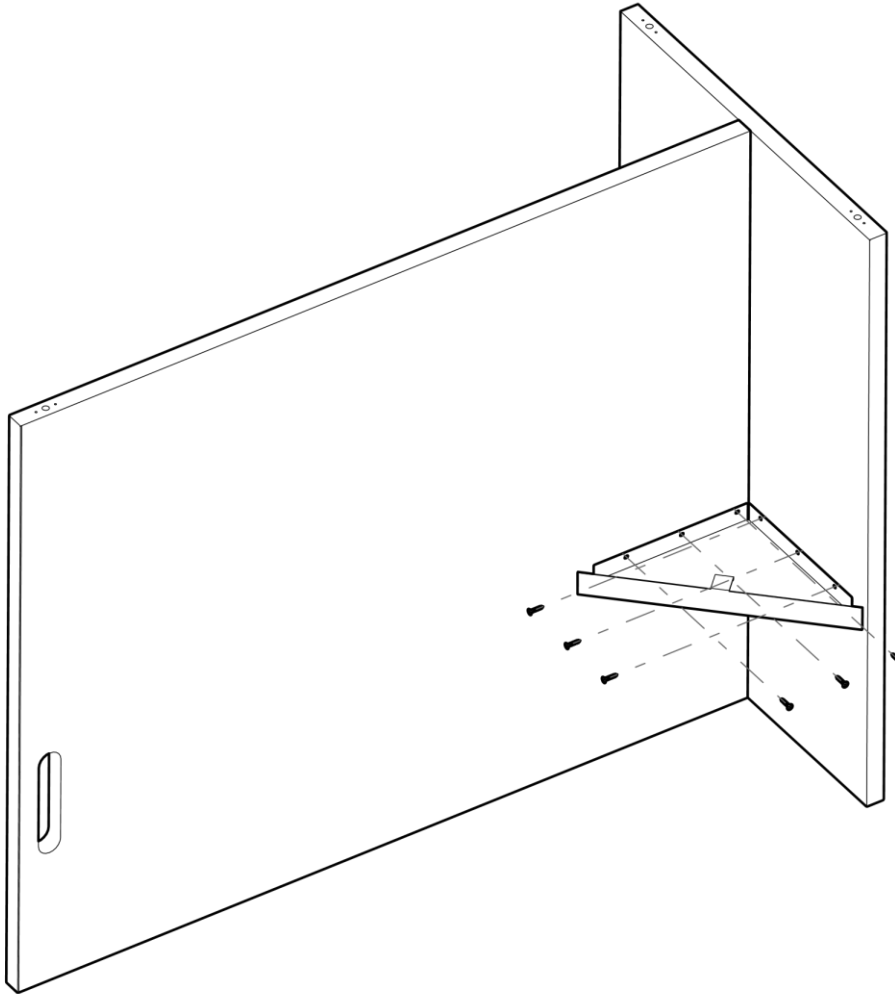


With the whiteboard in the upside down position, install the cams and pins.

Pin: RH-DU325-I

Cam: RH-0079485-I

Mobile Laminate Whiteboard

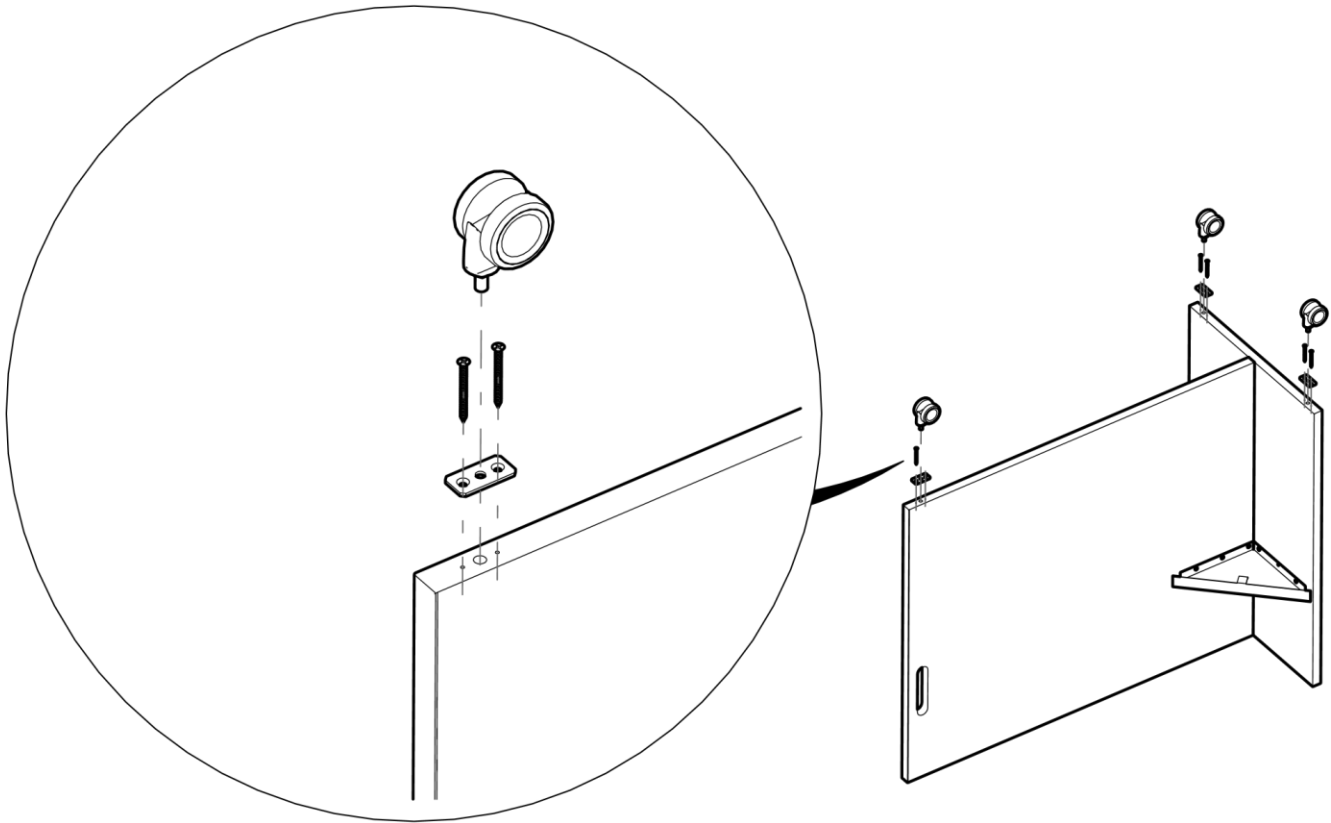


Install the corner brackets with work surface screws.

Screw: RH-QS0978

Corner: RA-TWWBTRAY

Mobile Laminate Whiteboard

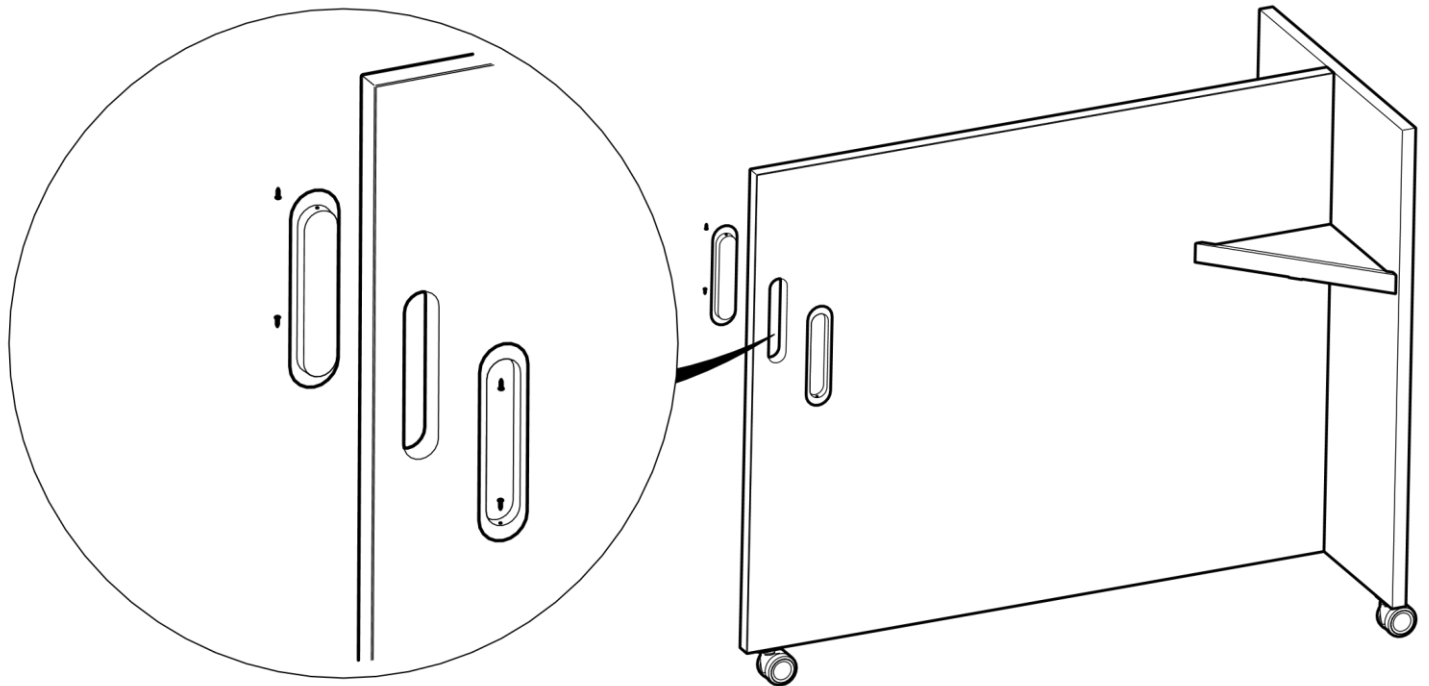


Install wheels to the markerboard with screws and flat plate.

Screw, #10X2", Sheet Metal, Flat Head
Twin Wheel Caster, 60mm Black, 3/8" Stem
Mobile Whiteboard Threaded Plate

RH-SMZFP102B
RH-UK570.202X3
RA-MWBTP

Mobile Laminate Whiteboard

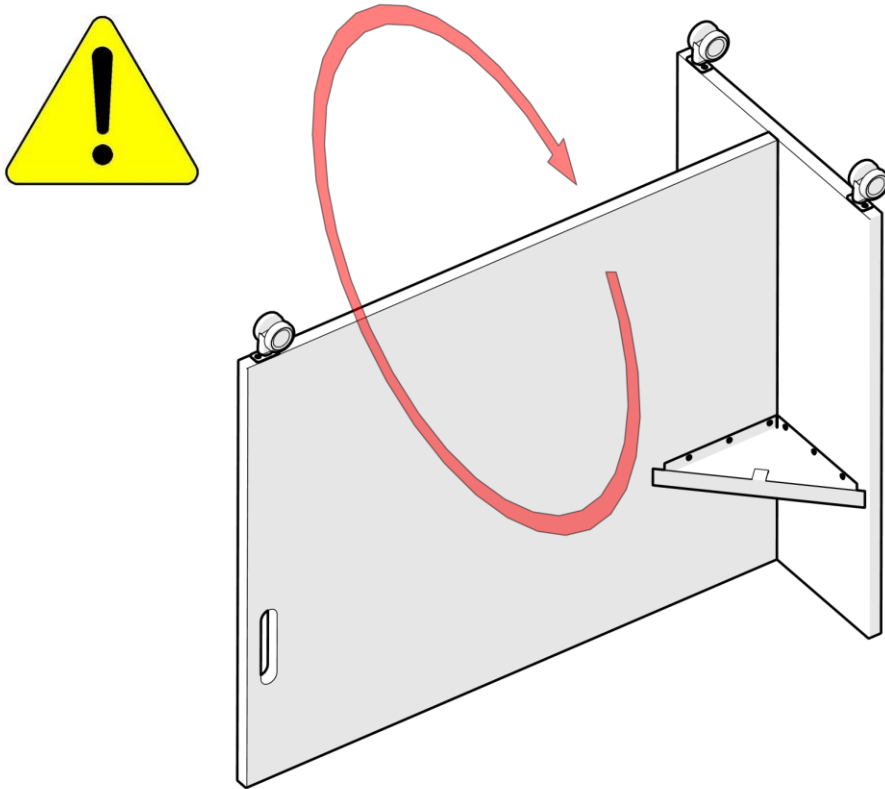


Install inset handles with the nails provided with the handle.

Inset Handle
(Nails Provided with handle)

RH-HN200SH

Mobile Laminate Whiteboard



With assistance, flip over the whiteboard.

Caution: these units can be very heavy, and doing so without assistance may cause injury or damage to the whiteboard.