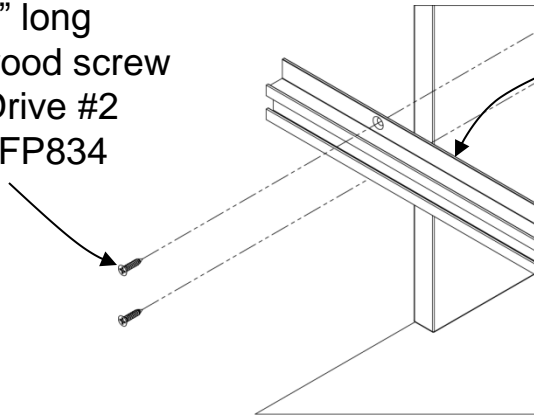


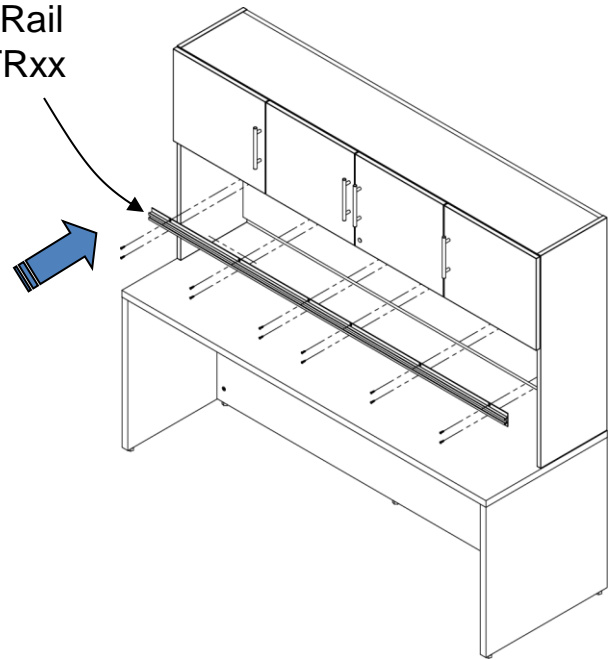
Calibrate Installation

#8 x 3/4" long
Flat head wood screw
Philips Drive #2
RH-WSFP834

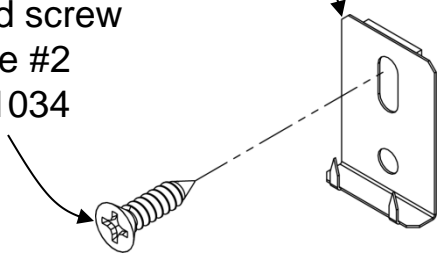


Hutch Mount Tackboards

Tool Rail
RL-TRxx



Install Bottom Brackets
A-WMTBB
to Hutch using #10 x 3/4" long
Flat head wood screw
Philips Drive #2
RH-WSFP1034

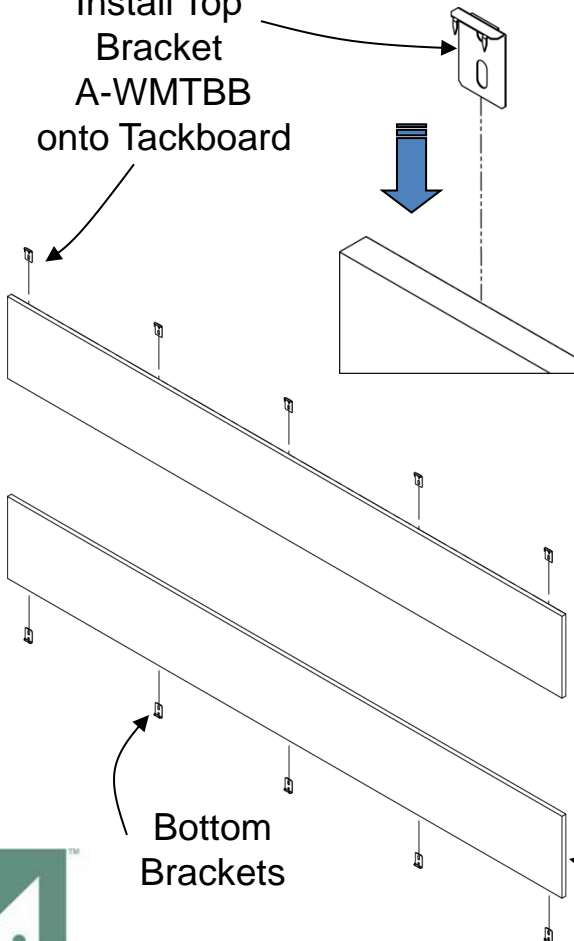


Remove tape backing from top brackets prior to installing tackboards

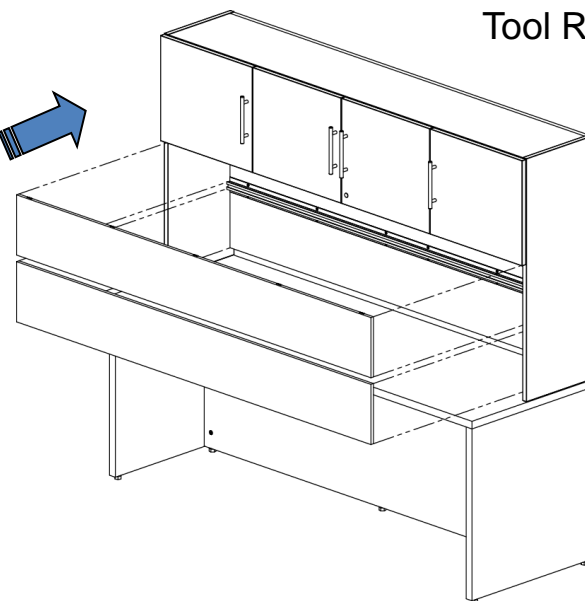
Hutch

Tackboard

Install Top Bracket
A-WMTBB
onto Tackboard

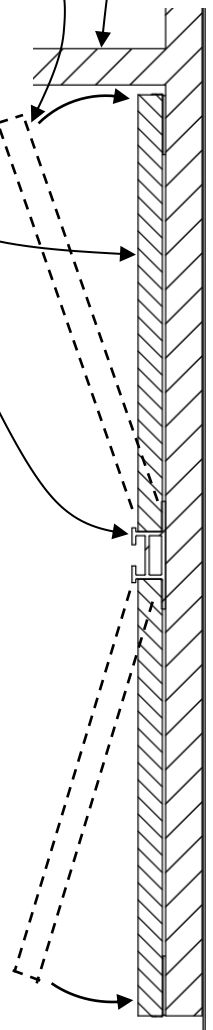


Tool Rail



Bottom Brackets

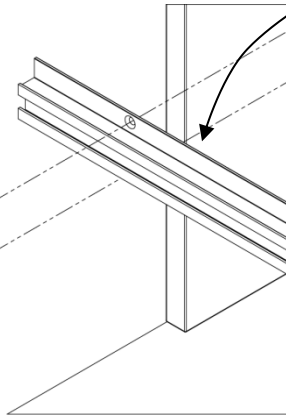
Tackboard



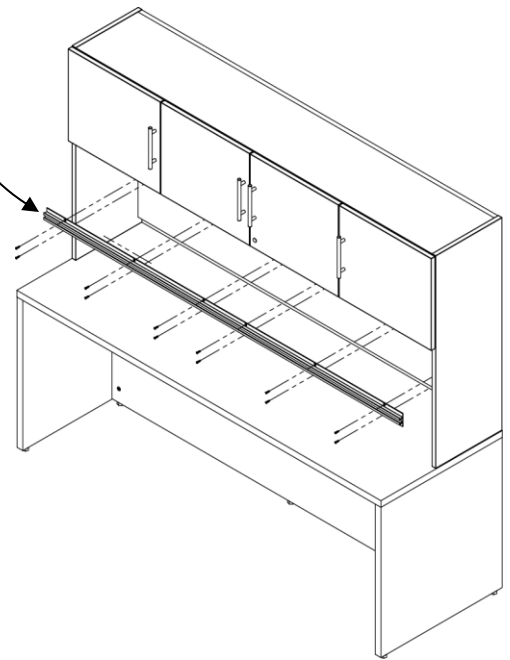
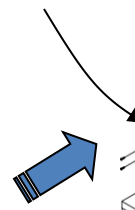
Calibrate Installation

Wall Mount Tackboards

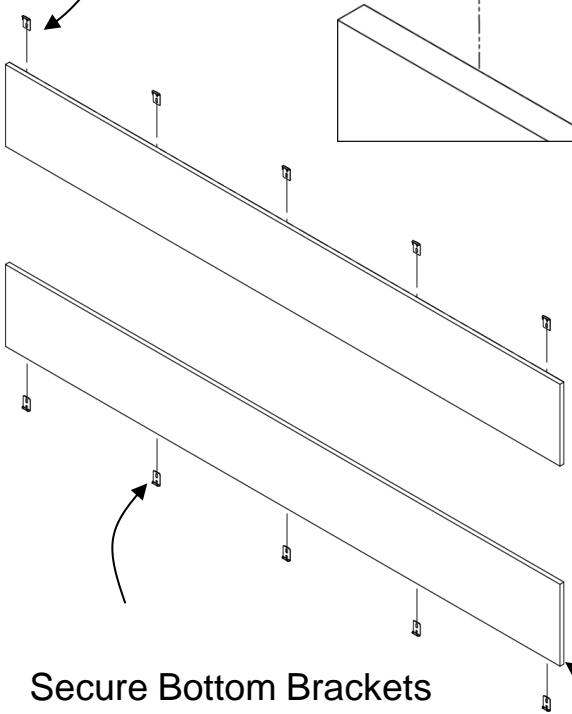
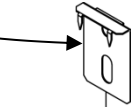
#8 x 3/4" long
Flat head wood screw
Philips Drive #2
RH-WSFP834



Tool Rail
RL-TRxx



Install Top
Brackets
A-WMTBB
onto Tackboard



Remove tape backing
from top brackets
prior to installing tackboards

Wall

Tackboard

Tool Rail

Secure Bottom Brackets
A-WMTBB
to studs in wall using #8 or #10
drywall screws (not included)

Tackboard

