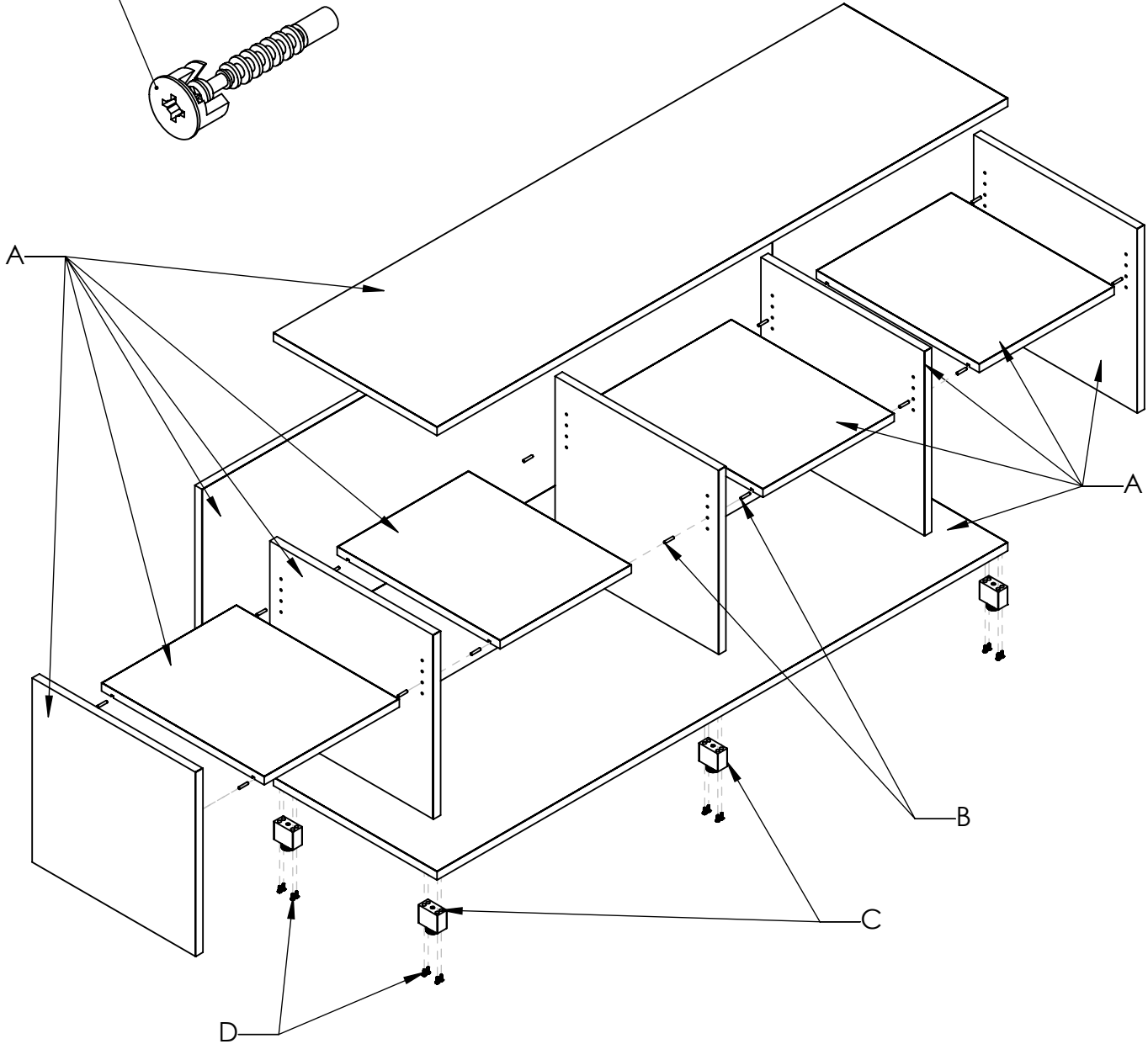


ALL PANELS SECURED WITH CAM LOCKS
TURN COUNTER-CLOCKWISE TO RELEASE



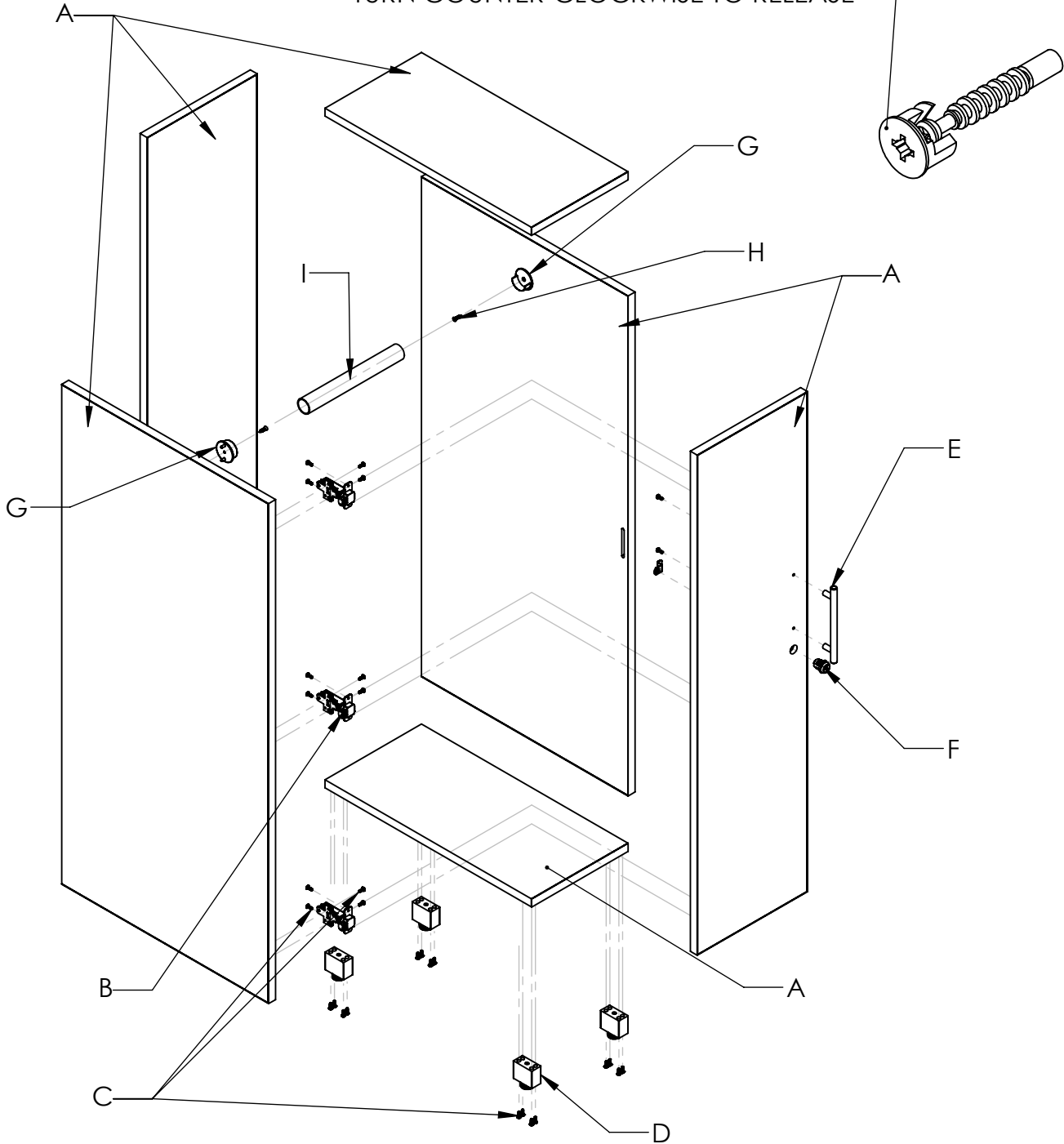
Part Materials		Tools Required	
A	LAMINATE	Philips Head Screw Driver	
B	WOOD DOWEL		
C	STEEL FOOT		
D	STEEL SCREWS		

LAMINATE CASEGOODS TOWER - DISASSEMBLY INSTRUCTIONS

50" HIGH



ALL PANELS SECURED WITH CAM LOCKS
TURN COUNTER-CLOCKWISE TO RELEASE



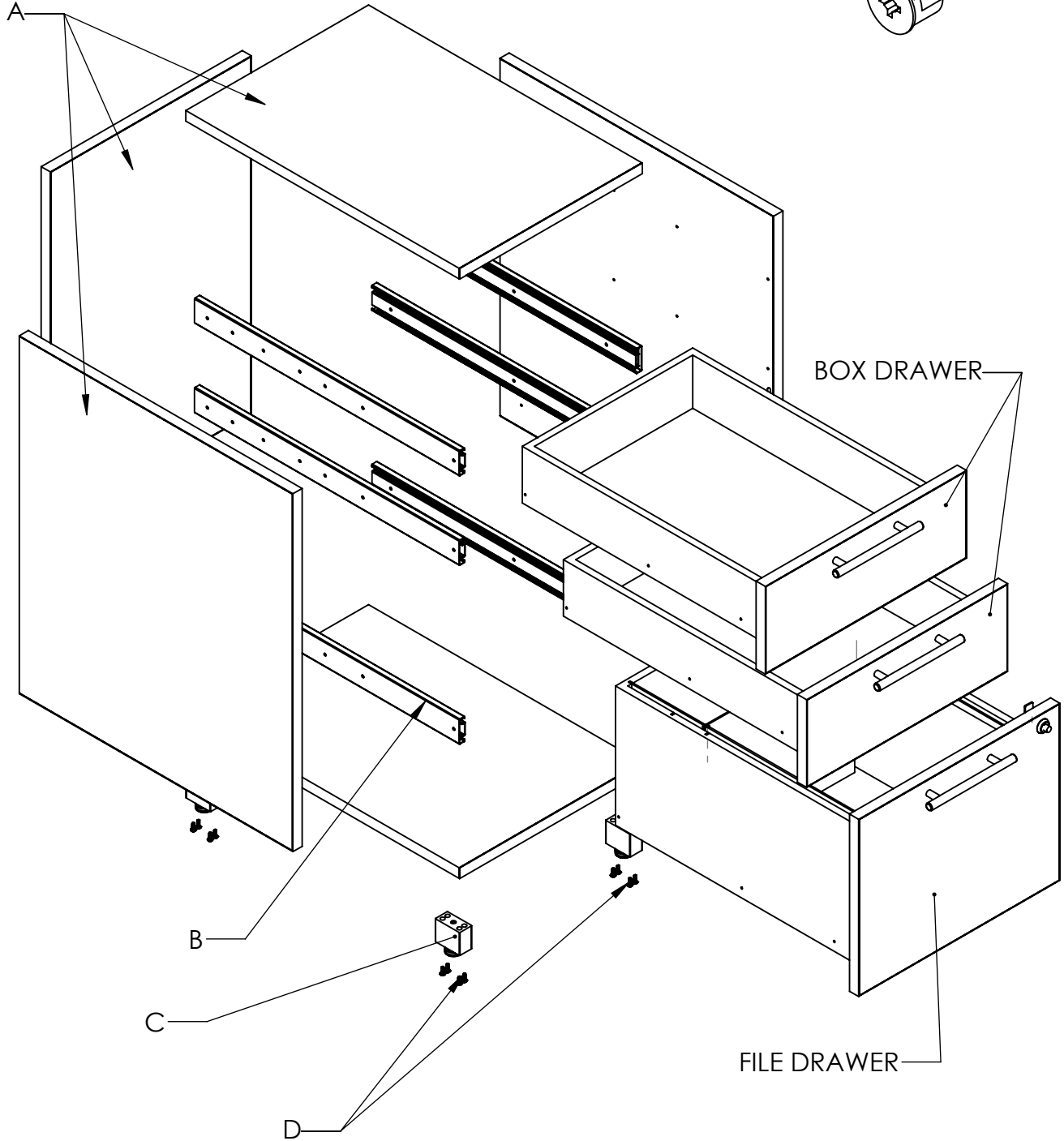
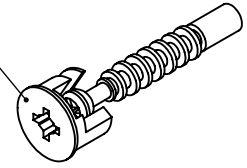
Part Materials

A	LAMINATE	
B	STEEL BLUM HINGE	
C	STEEL SCREWS	
D	STEEL FOOT	
E	STEEL HANDLE	
F	STEEL LOCK	
G	STEEL COAT HOOK	
H	STEEL FLUSH HEAD SCREW	
I	STEEL TUBE	

Tools Required

Philips Head Screw Driver

ALL PANELS SECURED WITH CAM LOCKS
TURN COUNTER-CLOCKWISE TO RELEASE



Part Materials		Tools Required	
A	LAMINATE	Philips Head Screw Driver	
B	STEEL SLIDES		
C	STEEL FOOT		
D	STEEL SCREWS		