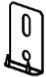



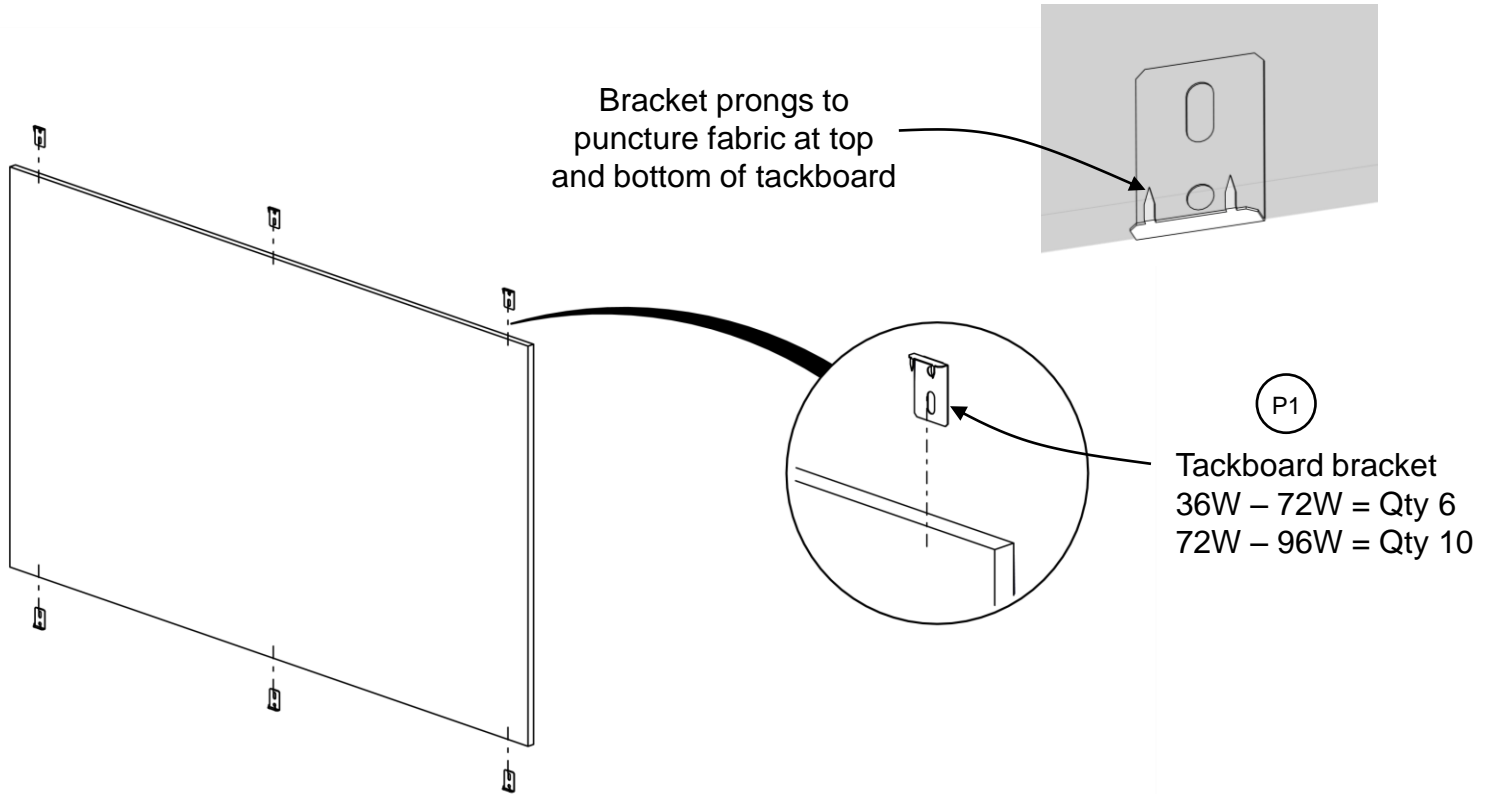
Calibrate Tackboard Installation

Date	Page No.	Description of change	Name
12/14/2020	1-6	Updated screws. New format	S. Powers
02/03/2023	1-4	Moved tool rail to separate instructions. Updated installation process.	S. Powers

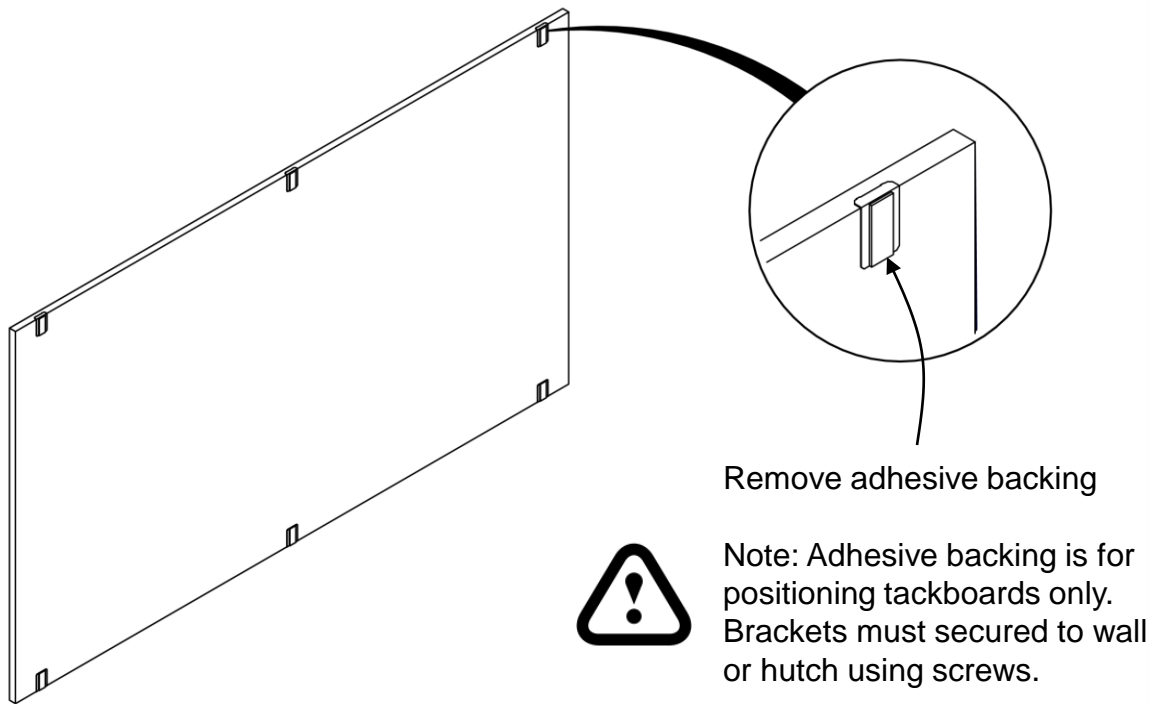
Item	Replacement Part number	Circle Sheet Part Number	Description	Image
P1	A-WMTBB	RA-WMTBB	Tackboard Brackets	
P2	RH-WSFP1034	RH-WSFP1034	#10 x 3/4" long Flat Head Wood Screw	

Calibrate Tackboard Installation

Step 1: Position tackboard bracket onto the back side of the tackboard

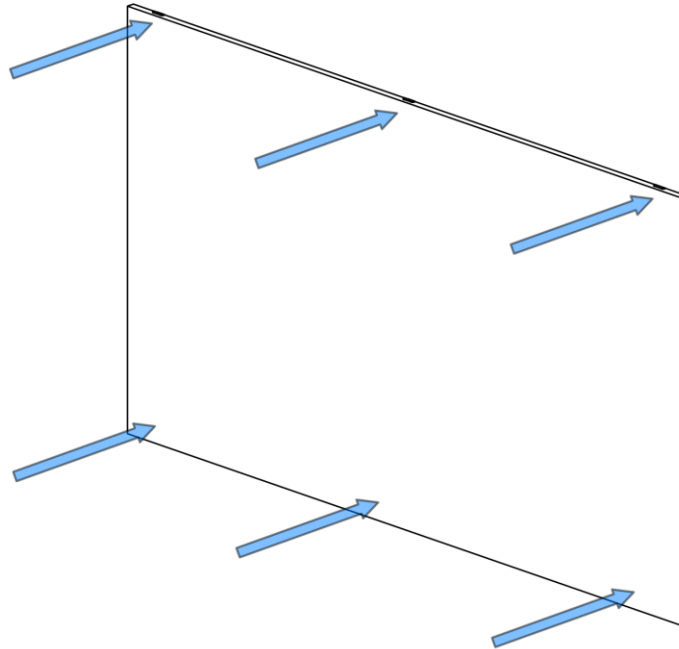


Step 2: Remove adhesive backing from brackets.



Calibrate Tackboard Installation

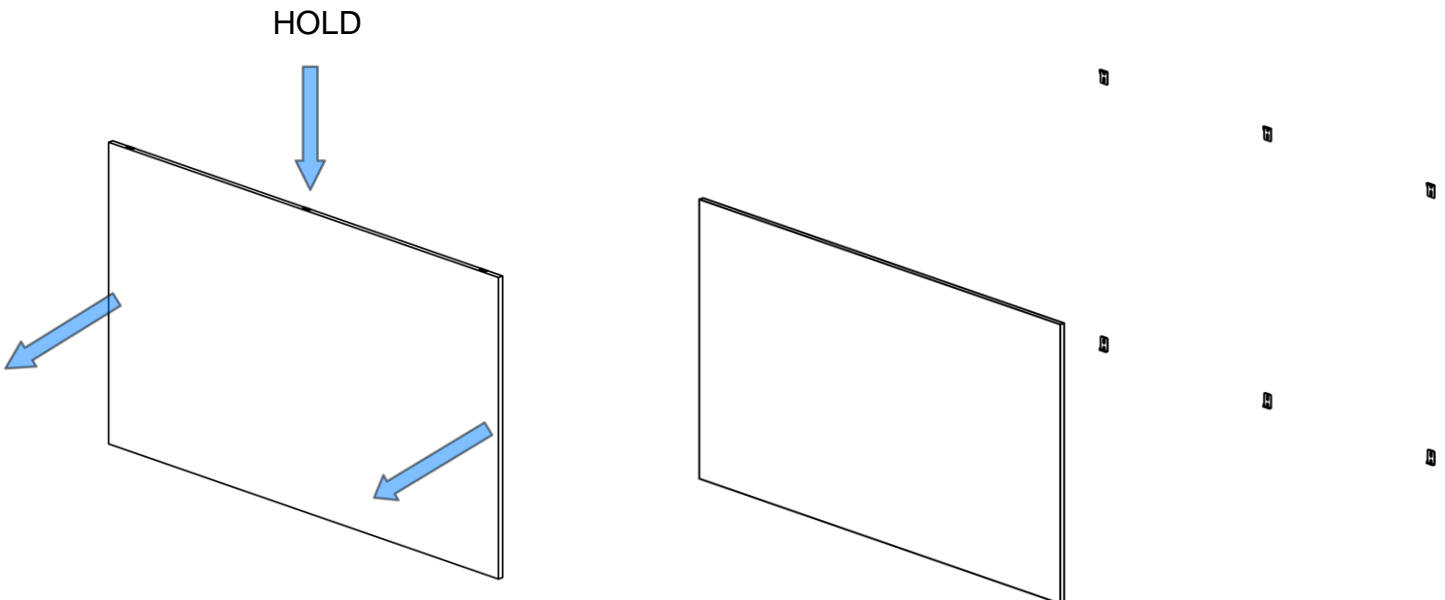
Step 3: Position tackboard onto the wall or hutch as desired. Firmly press brackets onto the wall making sure brackets are firmly adhered in place.



Step 4: Remove tackboard from wall, making sure all brackets remain secure to the wall.

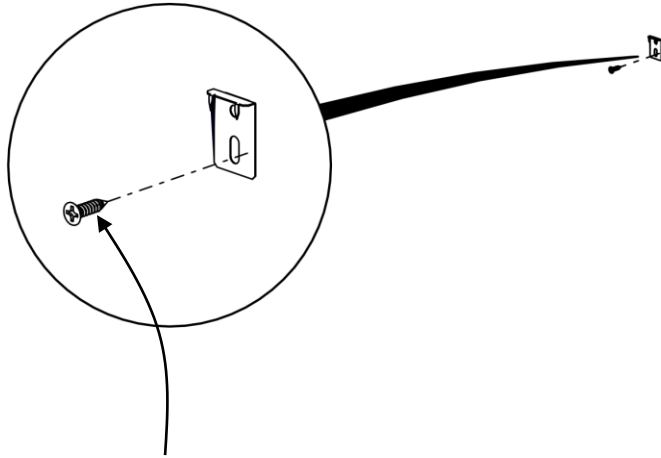


To remove tackboard, gently hold top of tackboard, making sure the tackboard is not being crushed. Then pull middle out first to disengage the bracket prongs.

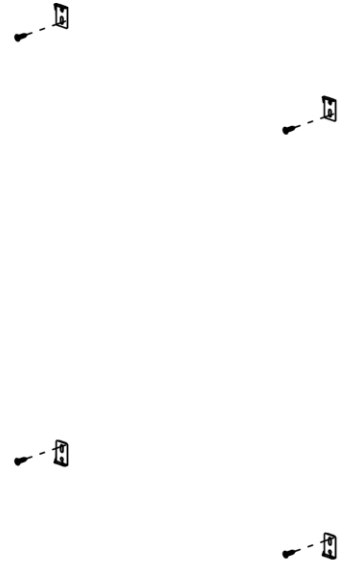


Calibrate Tackboard Installation

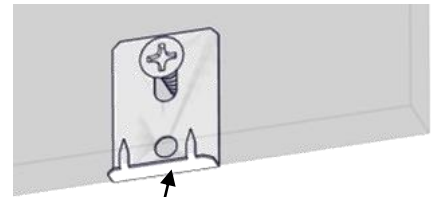
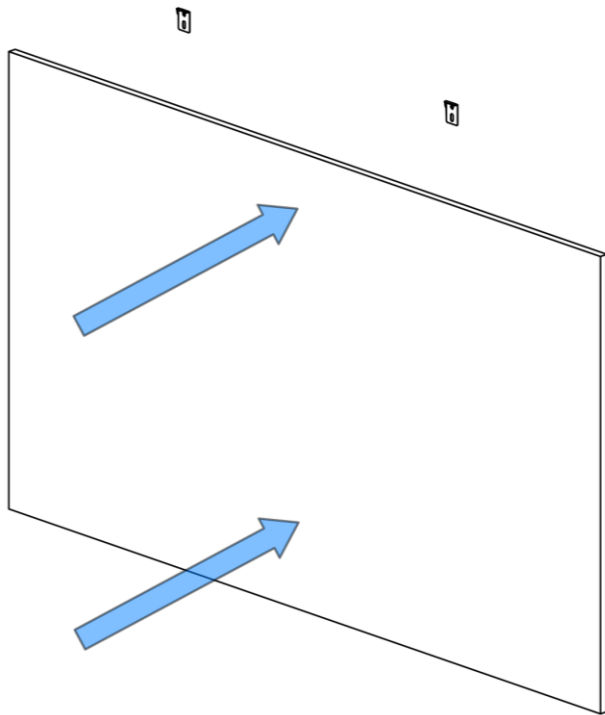
Step 5: Secure all brackets in place using #10 x 3/4" screws



P2 #10 x 3/4" long
Flat Head Wood Screw
Phillips drive #2
One per bracket



Step 6: Re-install tackboard to brackets.



Bracket prongs to
puncture fabric at top
and bottom of tackboard