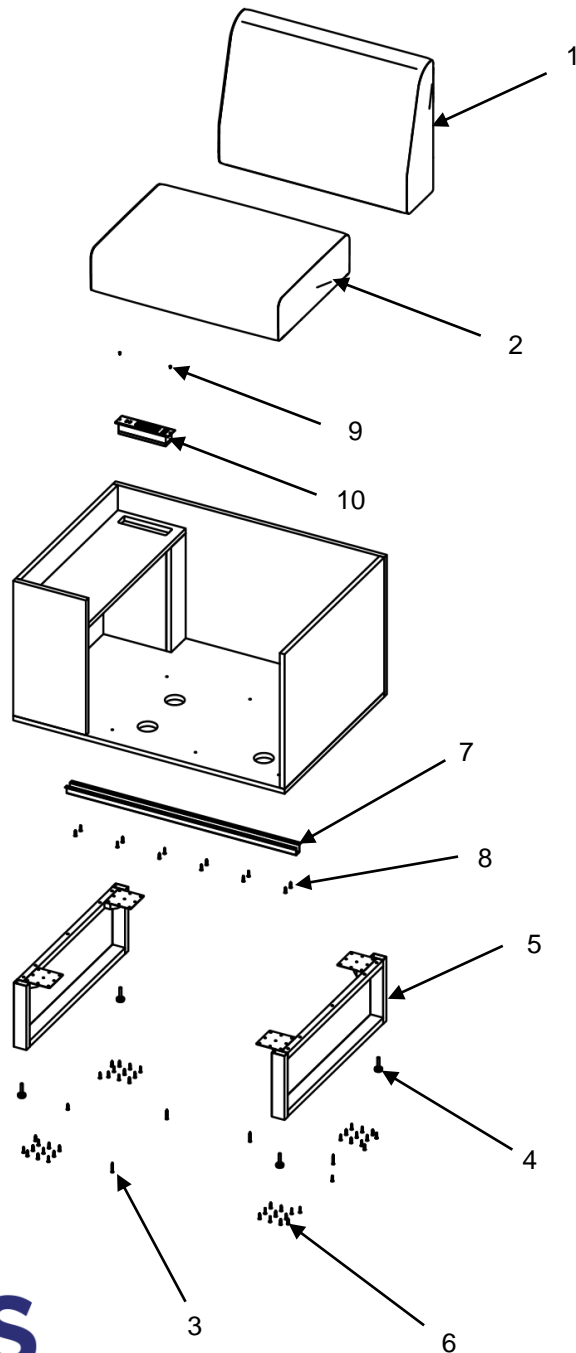


# Chatham Cove Disassembly Instructions

## Disassembly Instructions:

1. Remove cushions from unit using a #2 phillips drive.
2. Detach fabric from cushion and separate foam from the plywood base.
3. Remove glides and legs from base using a #2 phillips drive.
4. Remove u-channel from base using a #2 phillips drive.
5. Remove power unit from base using a #2 phillips drive.
6. Disassemble base unit by removing all cams and pins using a #2 phillips drive.



Item #	Part #	Description
1		Back Cushion
2		Front Cushion
3	RH-SMZFP10112	#10 x1 1/2" Flat Head Screw
4	RWFS-GL51618	5/16-18 Glide
5	RC-SOL1130FS-2	O-Leg Chatham Cove
6	RH-WSFP1034	#10 x 3/4" Flat Head Screw
7	RWPS-HS36	U-Channel
8	RH-QS0978	#9 X 7/8" Flat Head Screw
9	RH-90033A153	#6 x 5/8" Flat Head Screw
10	E-TVSP3802-F	Power Unit
11	RH-DU325-I	Anchor Pin
12	RH-9056601-I	Cam Bushing

