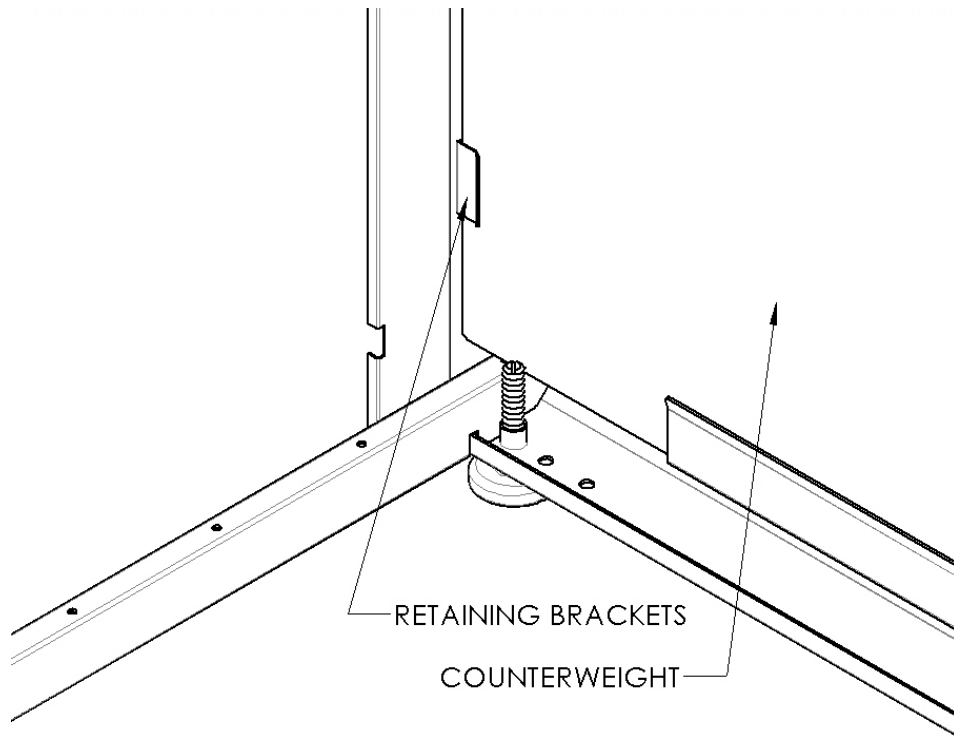


Counterweight Installation Instructions For 30 & 36" Wide 2 Drawer Lateral Files

Set counterweights (2) behind the Retaining Brackets at the back of the cabinet.



Fasten the Retaining Clips (2) to the slots in the upper frame using the screws and nuts provided

