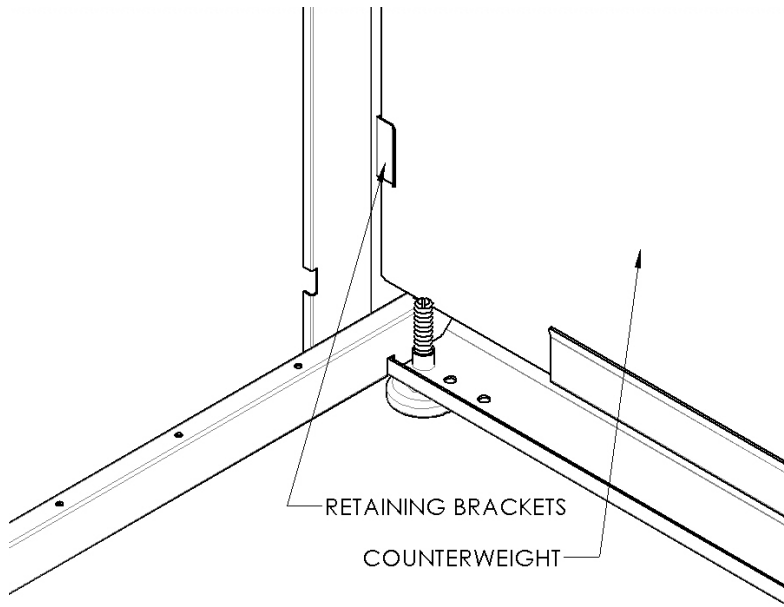


Counterweight Installation Instructions

For 42" Wide 2 Drawer Lateral Files

Set the granite end counterweights (2) behind the retaining brackets at the back of the cabinet. Set the center particleboard counterweight between the two end counterweights.



To hold the counterweights in place fasten the retainers (2) to the slots in the cabinet frame using hex screws.

