

DOCK-200 Series

DOCK-200 SERIES INSTALLATION INSTRUCTIONS

Electrical rating: AC 120V/ 60Hz, 10A/ 15A, see product label for details.

USB Output (when applicable): DC 5V 2.1A/ 4.2A Max., see product label for details.

CAUTION: To prevent the risk of fire and electric shock, please be sure to read all instructions before installing or using this unit.

IMPORTANT SAFETY INSTRUCTIONS.

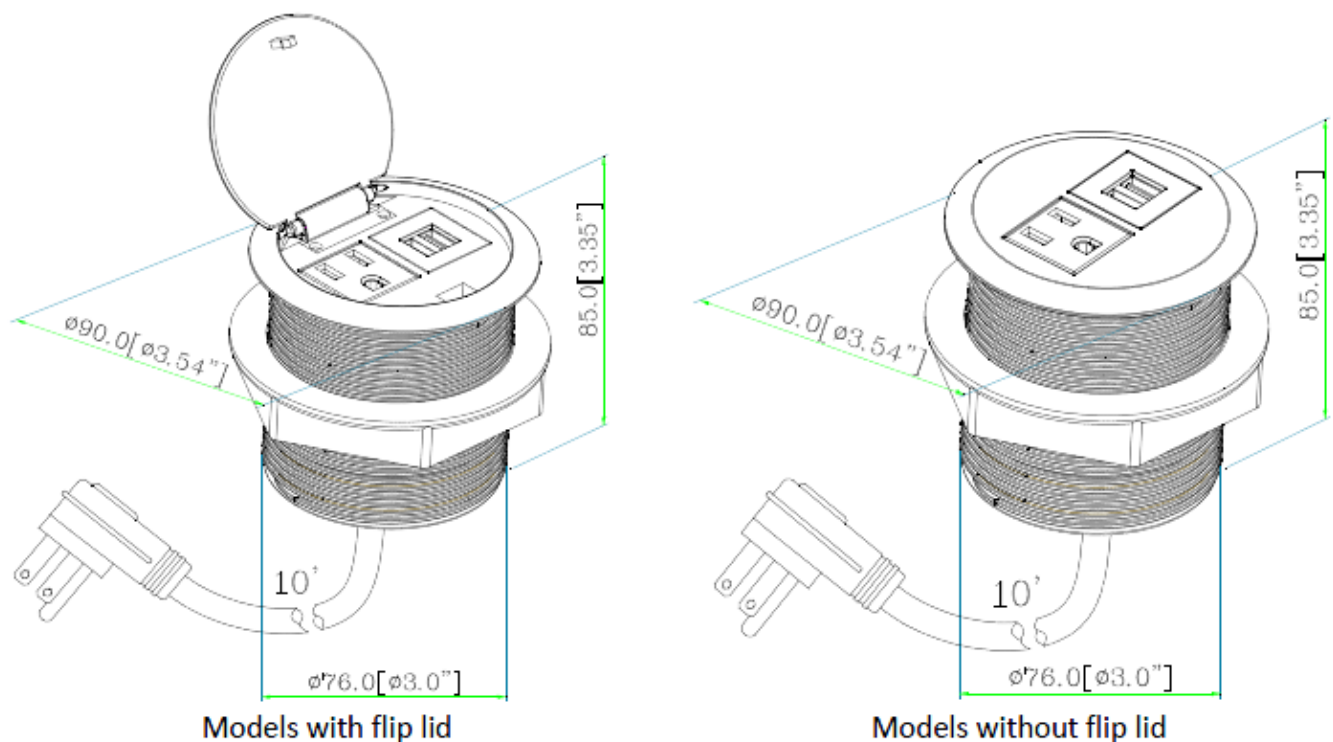
WARNING:

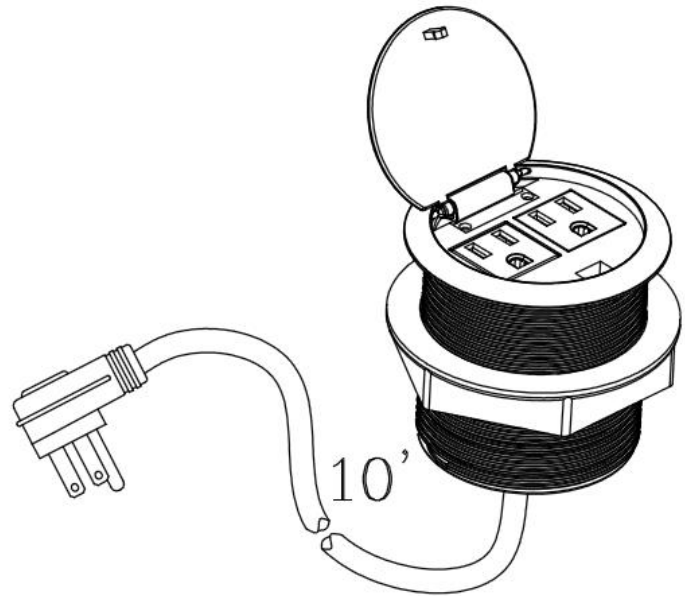
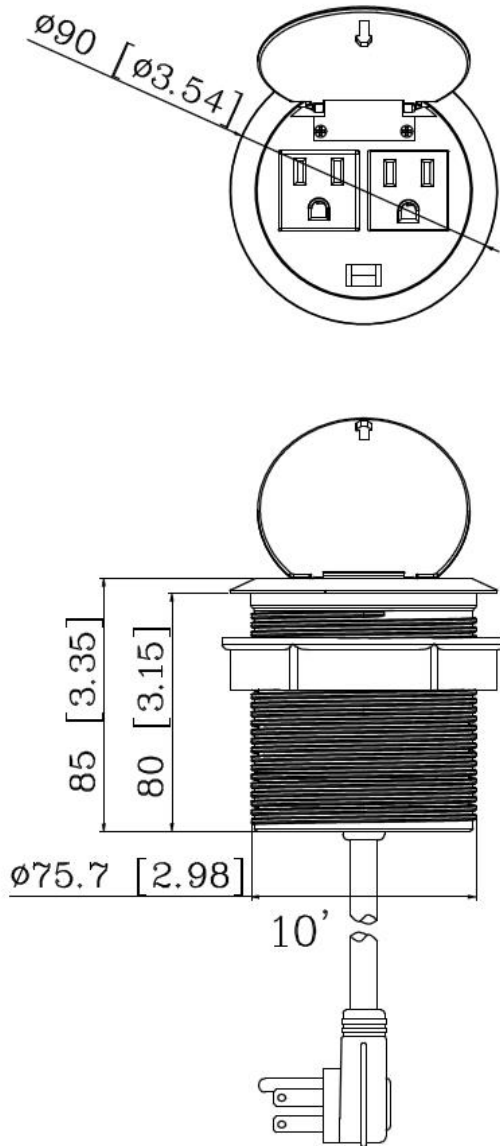
1. Use the unit indoors only.
2. Do not use extension cord(s) to connect the unit.
3. Do not try to open the unit for any reason.
4. Do not use the unit when the ambient temperature is over 104 degrees Fahrenheit.

MOUNTING INSTRUCTIONS:

1. Bore a $\varnothing 3''$ (76.0mm) hole on the mounting surface.
2. Remove the plastic nut from the unit.
3. Feed power cord and push the unit through the hole.
4. Secure the unit by tightening the plastic nut from the bottom.
5. Plug power cord into nearest wall outlet. Make sure the wall outlet is properly grounded.

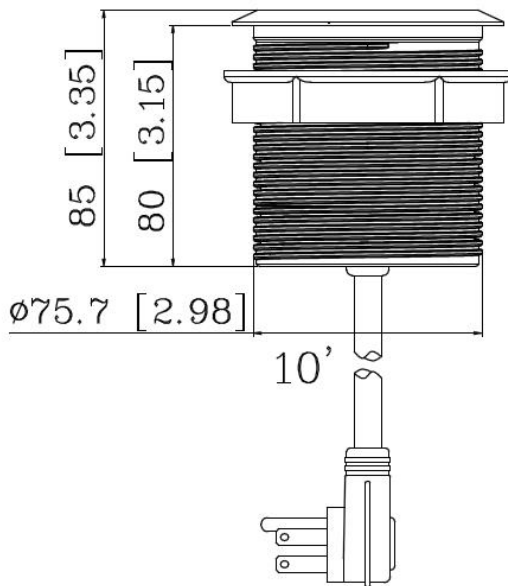
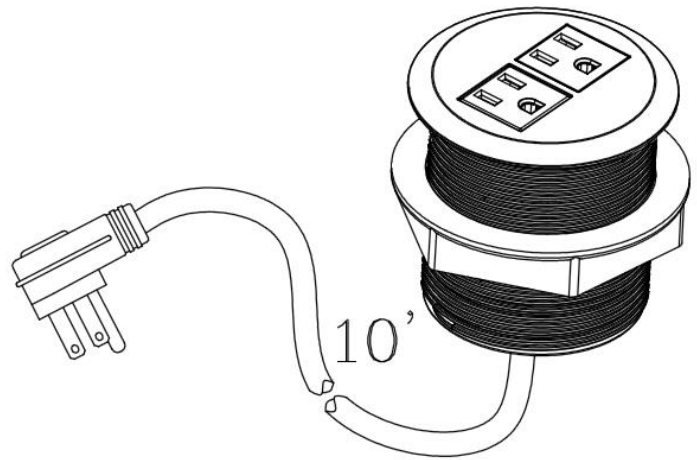
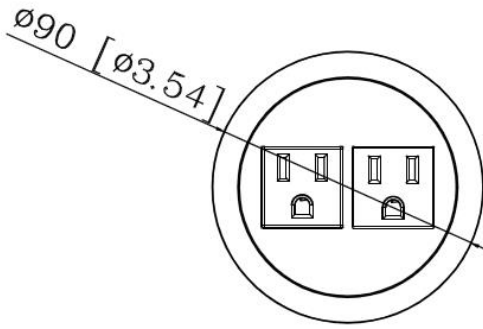
PRODUCT DIMENSIONS:





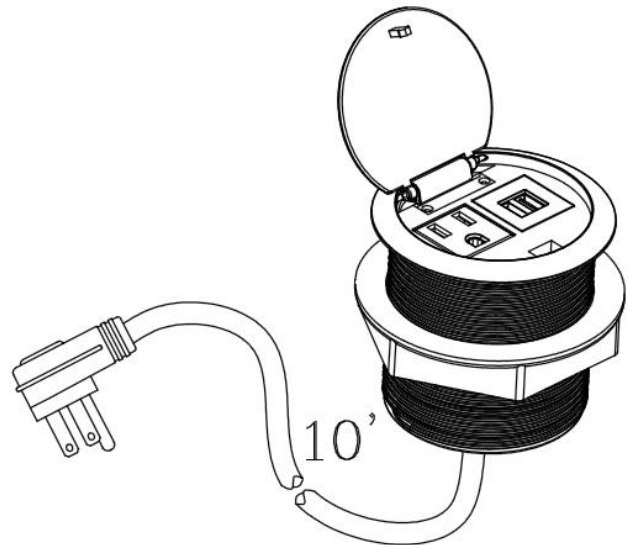
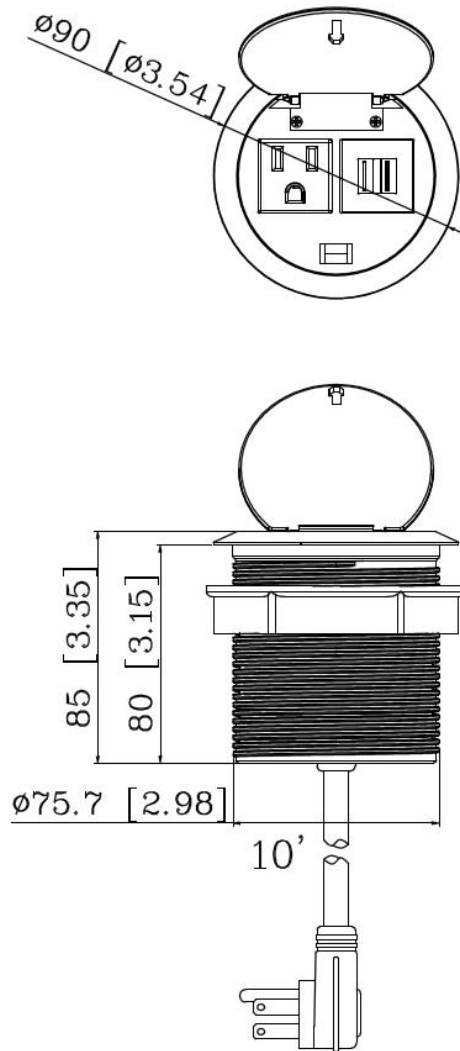
FEATURES:

- 2 Outlets, AC 125V 15A Max.
- Bore 3" hole for installation
- 10 ft SJT 14AWG*3C power cord



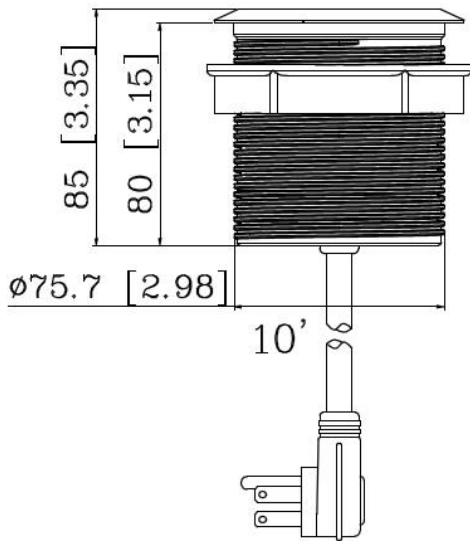
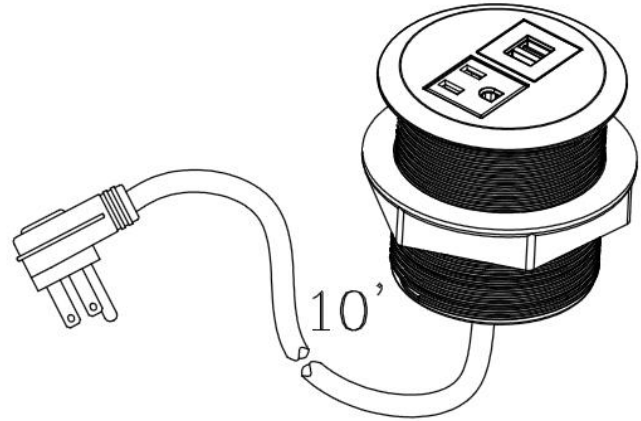
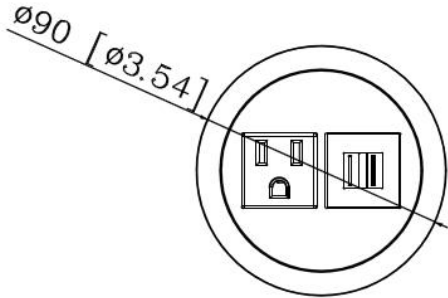
FEATURES:

- 2 Outlets, AC 125V 15A Max.
- Bore 3" hole for installation
- 10 ft SJT 14AWG*3C power cord



FEATURES:

- 1 Outlet, AC 125V 15A Max.
- 5V 4.2A USB module with 2 ports
- Bore 3" hole for installation
- 10 ft SJT 14AWG*3C power cord



FEATURES:

- 1 Outlet, AC 125V 15A Max.
- 5V 4.2A USB module with 2 ports
- Bore 3" hole for installation
- 10 ft SJT 14AWG*3C power cord