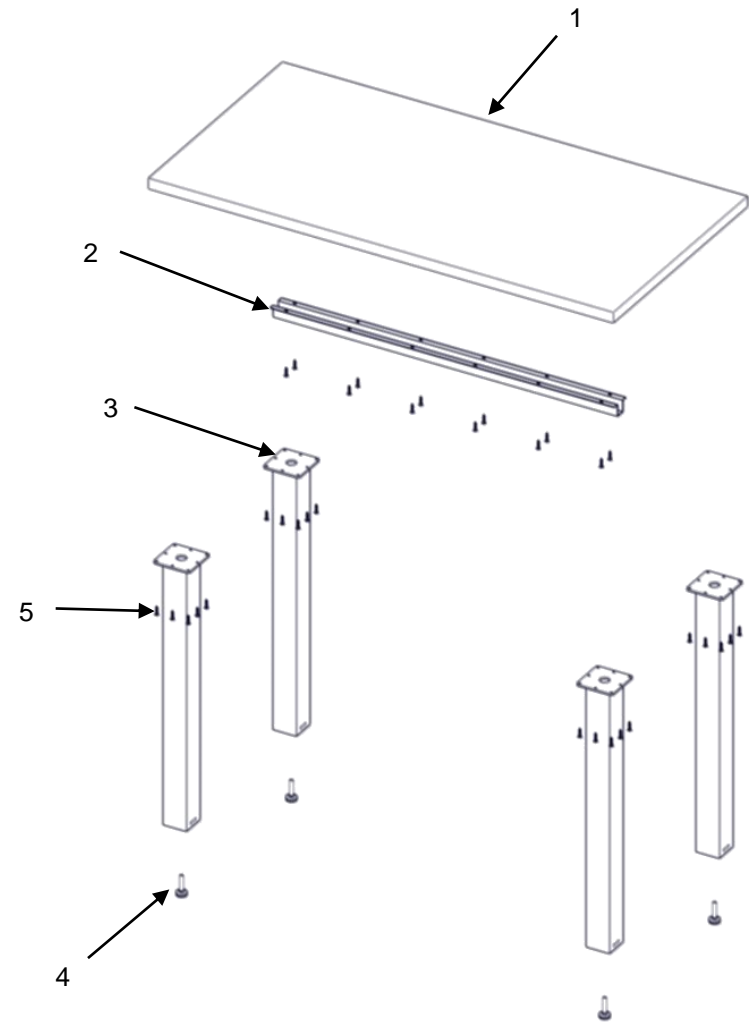


Day to Day Post Table Disassembly Instructions - Square or Slant Post

Disassembly Instructions:

1. Remove the posts from worksurface using a #2 philips drive.
2. Remove the U-channel from the worksurface using a #2 Philips drive.
3. Remove the glides or casters from the post legs.

Item #	Part #	Description
1	W-WSxxyy (xx= 18, 24, 30 or 36) (yy = 36-72 in increments of 6")	Worksurface
2	T-UCKxx (xx= 36-72 in increments of 6")	U-Channel
3	OX-PL2525-27 (square glide post) OX-PL2525M-27 (square caster post) OX-SL (slant post – glide only)	Post
4	RWFS-GL51618-P RC-CASTER-A	Glide Caster
5	RH-QS0978	#9 x 7/8" Flat Head Screw



Day to Day Post Table Disassembly Instructions - Tapered Post

Disassembly Instructions:

1. Remove the posts from worksurface using a #2 philips drive.
2. Remove the U-channel from the worksurface using a #2 Philips drive.
3. Remove the top plates from the posts legs using a 7/32" hex drive.
4. Remove the glides or casters from the post legs.

Item #	Part #	Description
1	W-WSxxyy (xx= 18, 24, 30 or 36) (yy = 36-72 in increments of 6")	Worksurface
2	T-UCKxx (xx= 36-72 in increments of 6")	U-Channel
3	RC-LEGTP	Top Plate
4	RC-LEG26 (glide post polished) RC-LEG26R (glide post painted) RC-LEG26-CP (caster post polished) RC-LEG26R-C (caster post painted)	Tapered Post
5	RWFS-UTG-I RWFS-UTC-I	Glide Caster
6	RH-APSHBF38161	3/8-16 x 1" Flat Head Screw
7	RH-QS0978	#9 x 7/8" Flat Head Screw

