

# Devens Guest Chair

## Installation Guide

### Tools Required

---

Allen key T20 x1



Allen key T30 x1



### Included parts

---

Base frame x1



Mesh back x1



Seat cushion x1



Arm caps x1 pair



Screw A x2



Screw B x2



Screw C x2



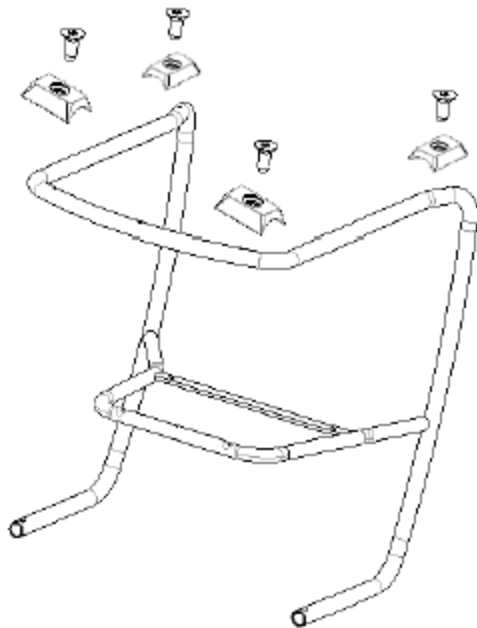
Screw D x4



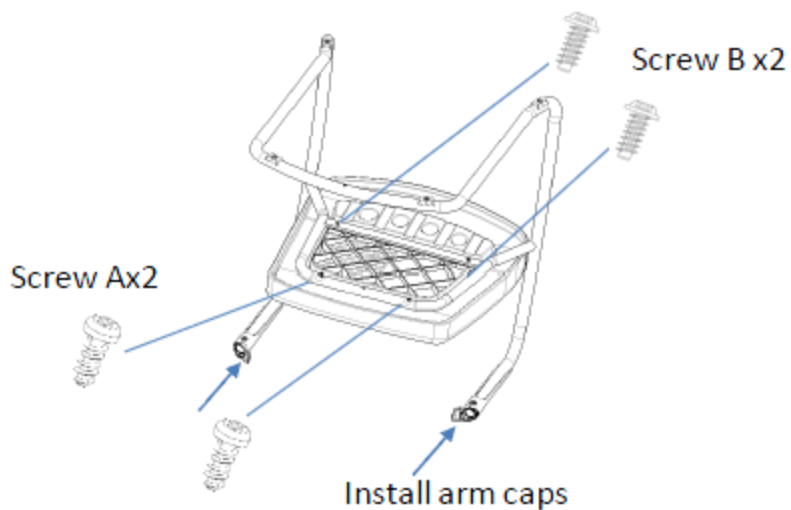
Glide x4



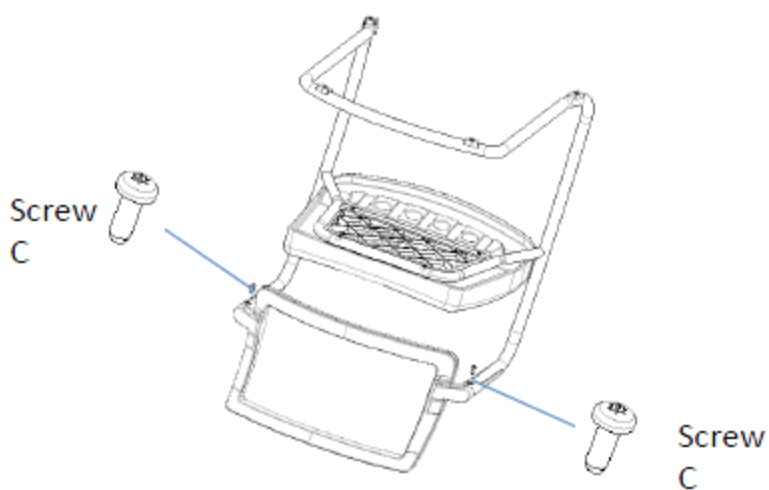
Step 1: Install the glides, use T30 Allen key.



Step 2: Install the arm caps and use T20 Allen key to mount seat cushion.



Step 3: Use T30 Allen key to mount mesh back with related screws as following details.



Finished.

