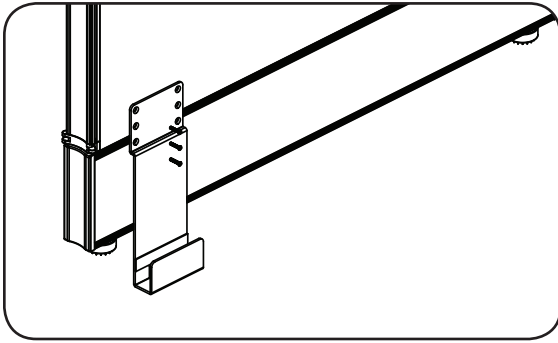


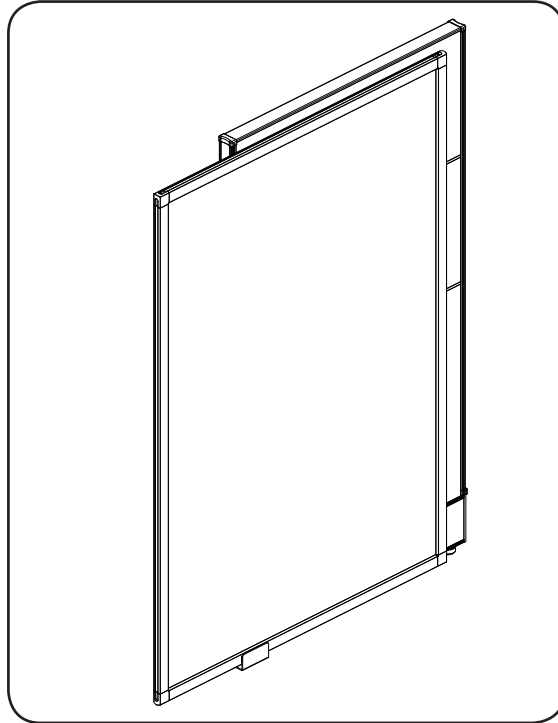
Sliding Door (Non-Locking)

DiVi™

Step 1

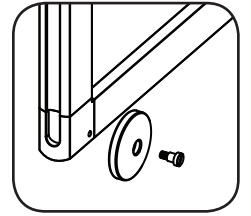


Step 2

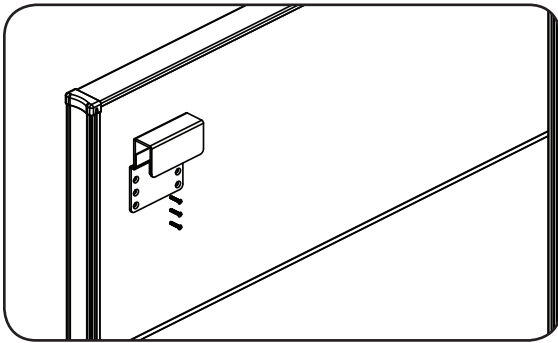


Step 1 - Attach bottom bracket to DiVi hanger frame using 3 #8 11-16 Philips Flat Head Self-Tapping Screws.

Step 2 - Remove front wheel from the rolling door. Bring door parallel to the panel and check the correct height to attach the top bracket.

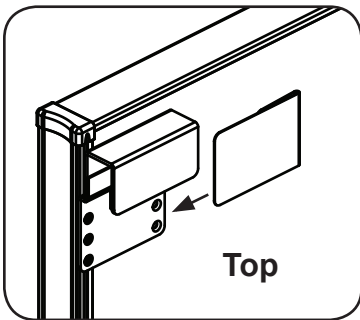


Step 3



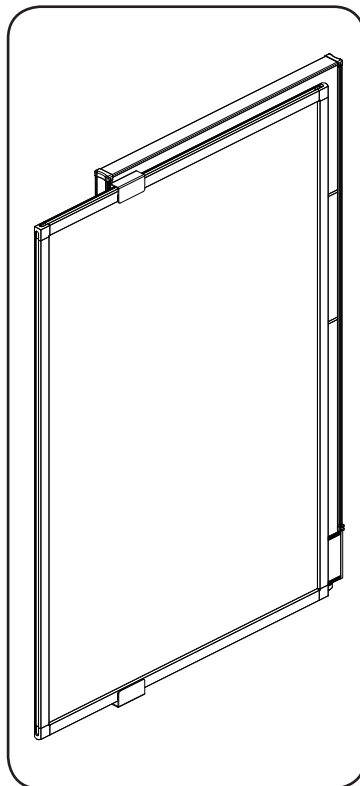
Step 3 - Remove the door from the panel. Attach top bracket to DiVi hanger frame using 3 #8 11-16 Philips Flat Head Self-Tapping Screws.

Step 4



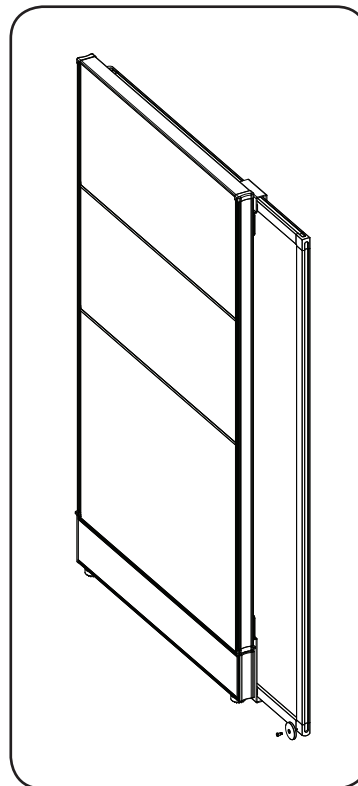
Step 4 - Install metal covers on the door brackets.

Step 5



Step 5 - Place door between brackets and slide from back to front.

Step 6



Step 6 - Re attach front wheel from inside view of door.

Top

Bottom