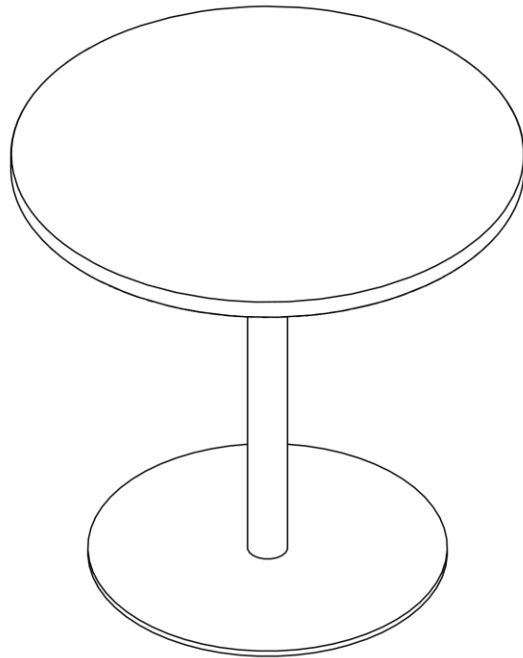



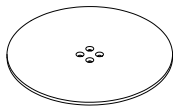
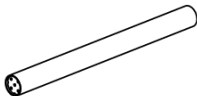
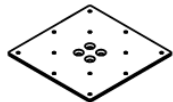


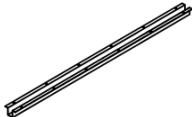
Disc Base Installation Instructions

Date	Page No.	Description of change	Name
05-04-2021	1-4	Released	S. Powers
08-24-2021	4-5	Added steps for Double Disc Base Tables	S. Powers



Disc Base Installation Instructions

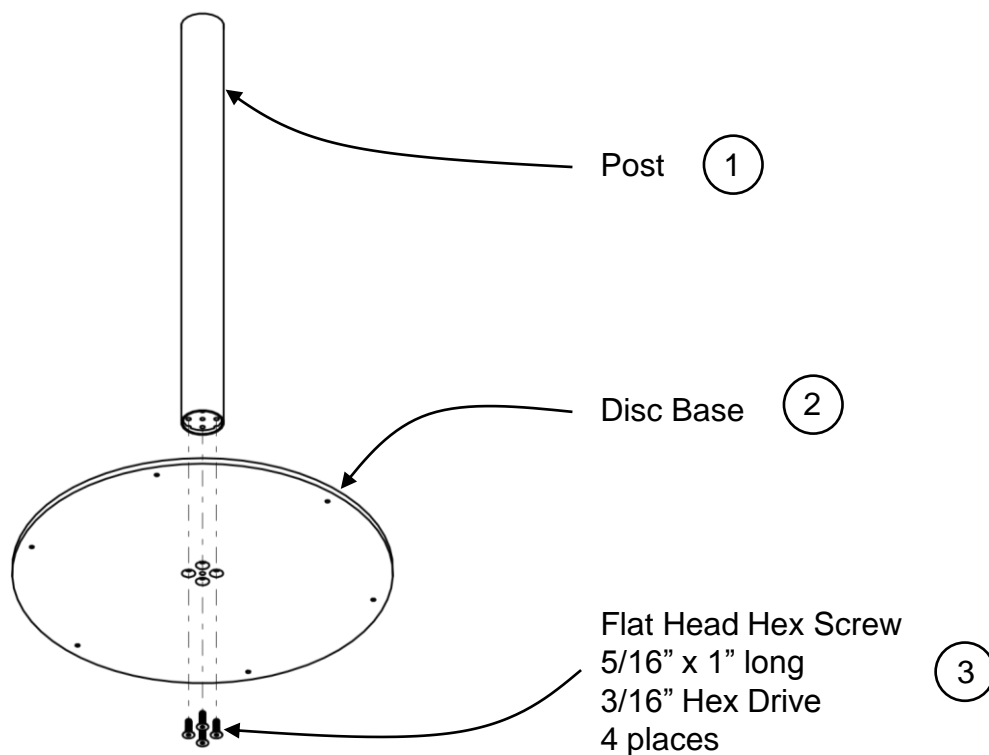
Parts List

Item	Replacement Part number	Circle Sheet Number	Description	Image
1	RH-SHF51618-1	RH-SHF51618-1	Flat Head Hex Screw 5/16-18 X 1" long	
2	WFS-DB21	RWFS-DB21	Disc Base 21"	
3	T-DBSTxx xx = 16, 29 or 42	RT-DBSTxx-P xx = 16, 29 or 42	Post Leg 16H, 29H or 42H x 60mm Dia	
4	WFS-UTP	RWFS-UTP-I	Top Plate 8"x8"	
5	RH-QS0978	RH-QS0978	Flat Head Wood Screw #9 X 7/8" long	
6	RH-95495K728-B	RH-95495K728-I	Foot Pad	
7	T-UCKxx xx= 36-72 (increments of 6)	RWPS-HSxx xx= 36-72 (increments of 6")	Worksurface Stiffener (U-Channel)	

Disc Base Installation Instructions

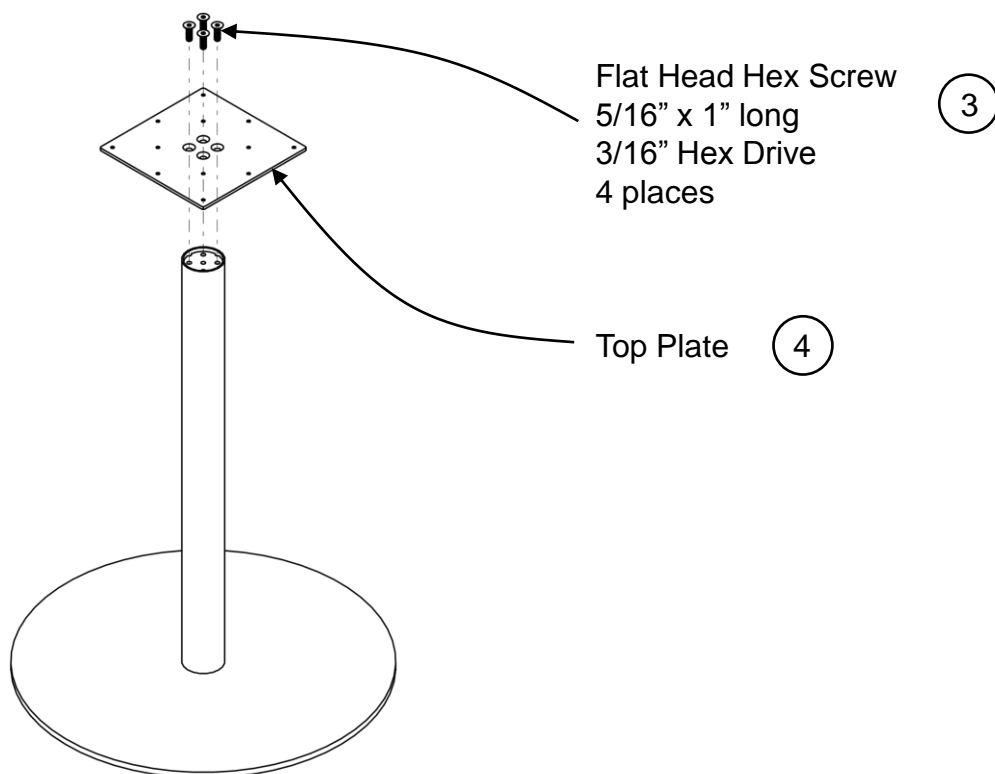
Step 1:

Connect the disc base to the post leg using (4) #5/16-18 x 1" long flat head screws.



Step 2:

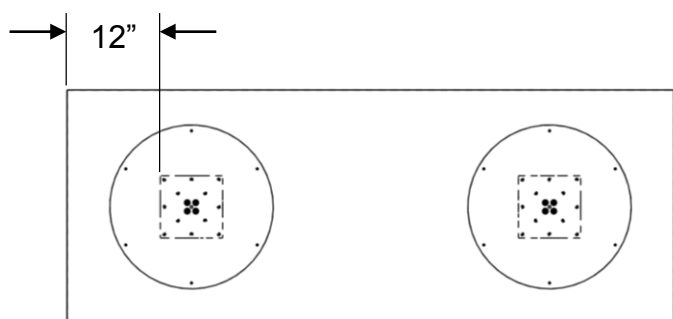
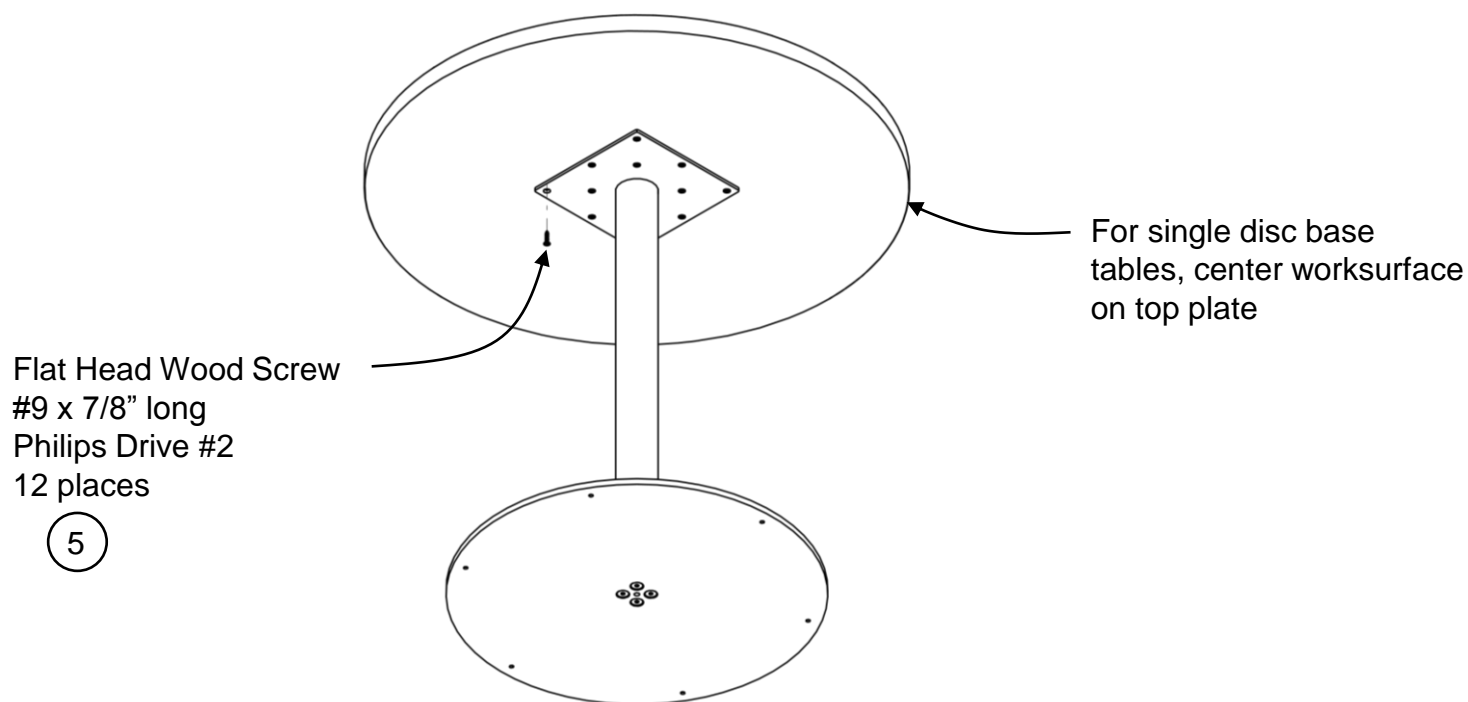
Connect the top plate to the post leg using (4) #5/16-18 x 1" long flat head screws.



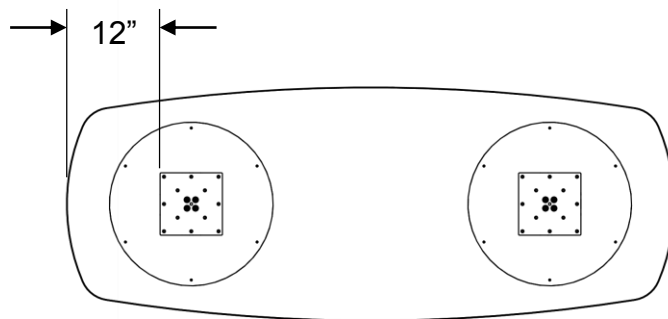
Disc Base Installation Instructions

Step 3:

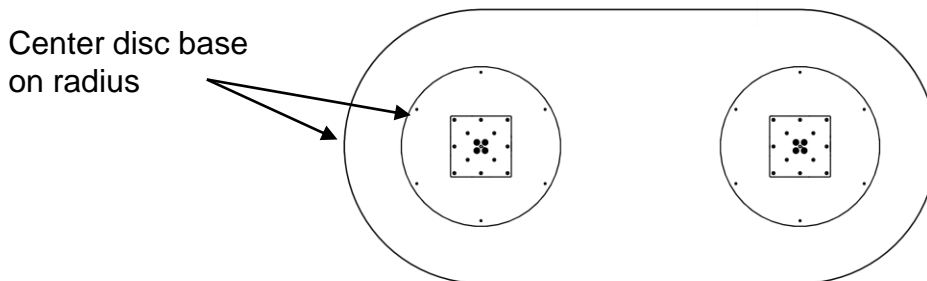
Attach the worksurface to the top plate using #9 x 7/8" wood screws.



Double Disc Base with
Rectangle Worksurfaces:
Center vertically, 12" from edge



Double Disc Base with
Pebble Worksurfaces:
Center vertically, 12" from edge

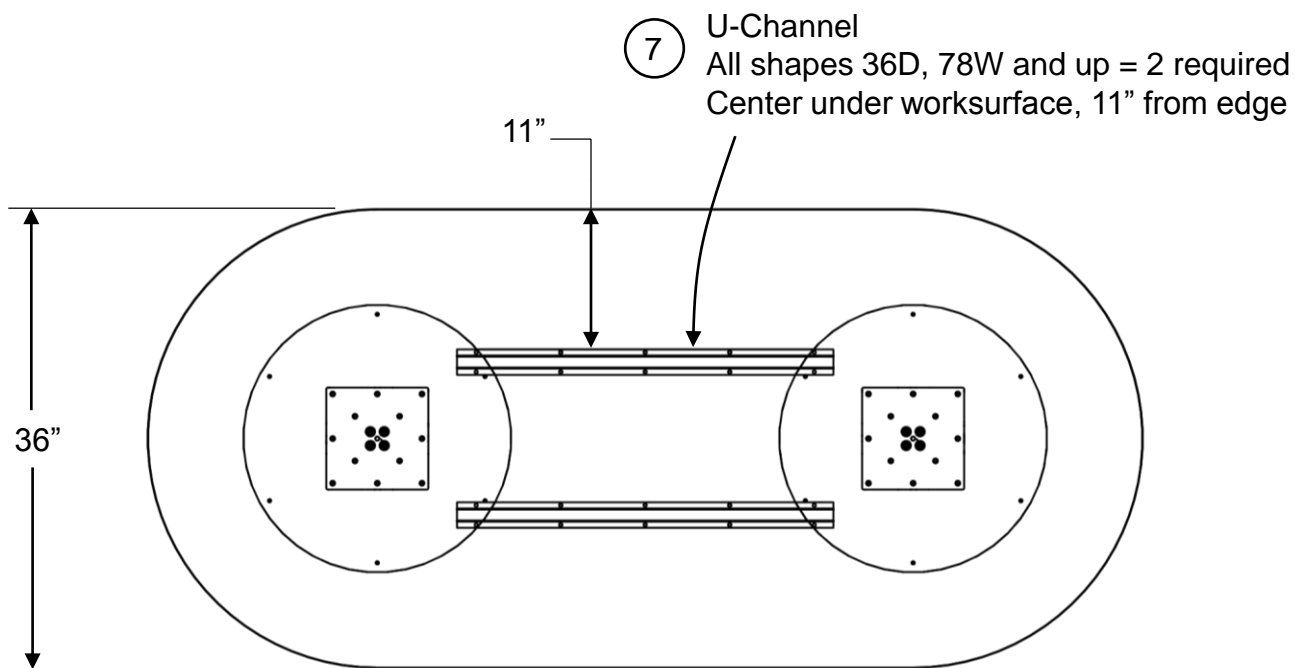
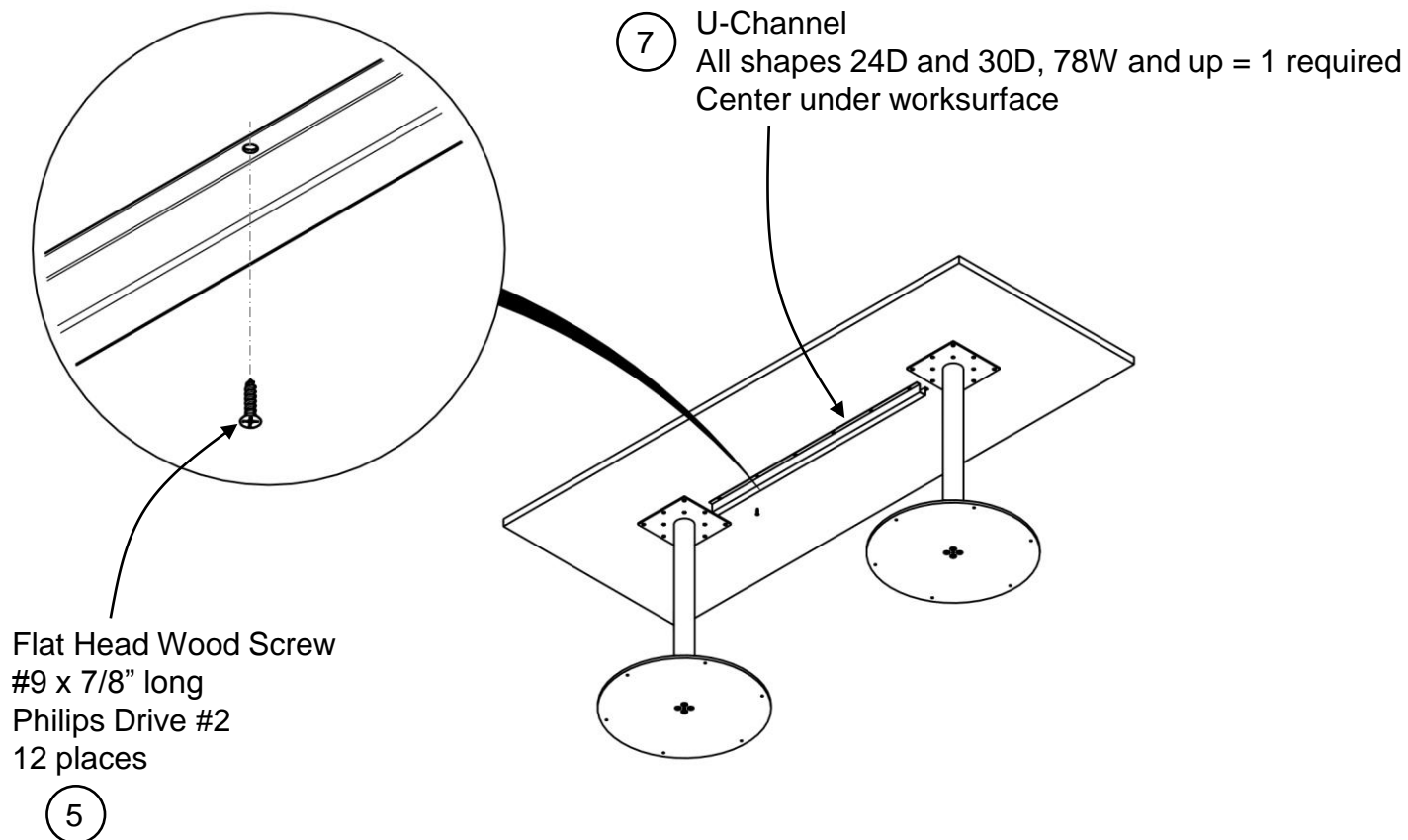


Double Disc Base with
Racetrack Worksurfaces

Disc Base Installation Instructions

Step 4 (for worksurfaces 78w and up only):

Attach the U-channel(s) under the worksurface using #9 x 7/8" wood screws.



Disc Base Installation Instructions

Step 5:

Apply (4) adhesive bumpers to the bottom of the disc base.

