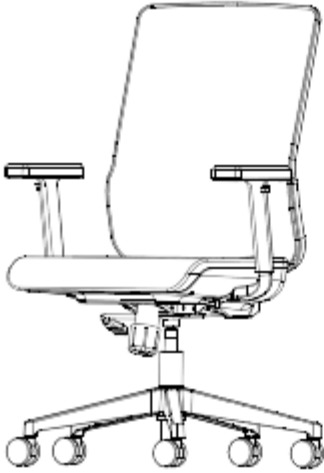


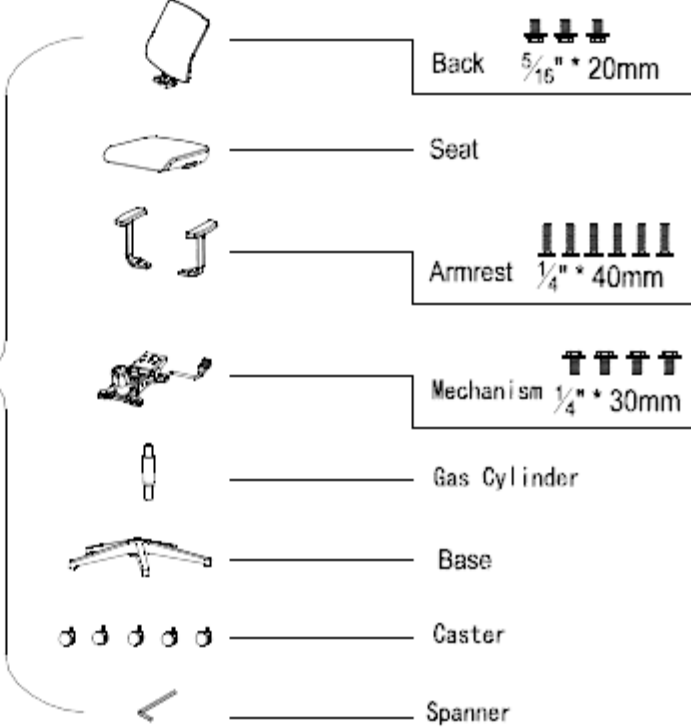
Essex Installation Instructions




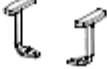







| Date | Page No. | Description of change | Name |
|-----------|----------|-----------------------|-----------|
| 3/11/2021 | 1-3 | Released | S. Powers |

Essex Chair Assembly Instruction

Thank you for choosing our product. please check the components and hardware according to the list and below instruction when you open the carton, as some parts may come lose during transit.

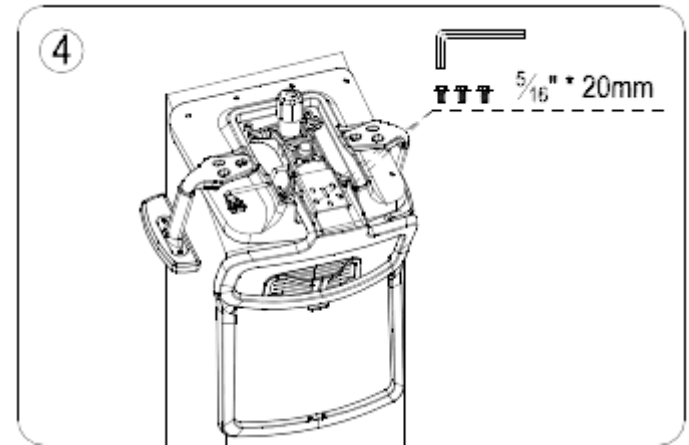
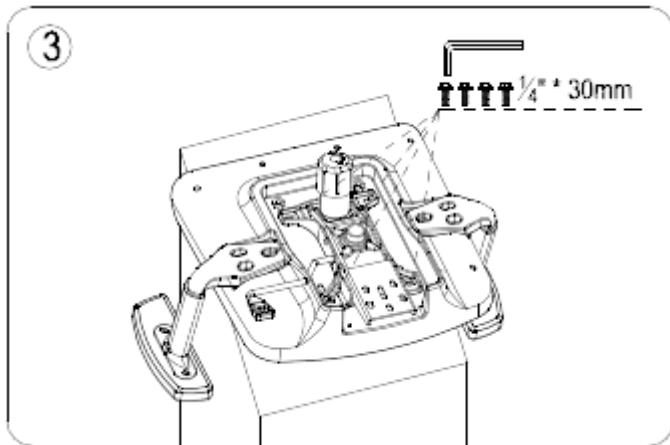
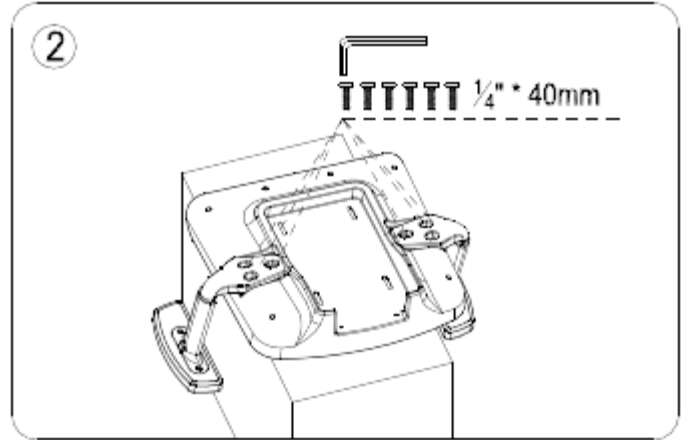
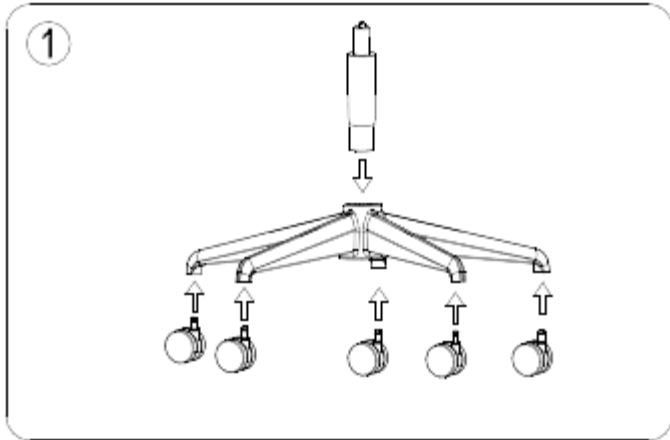




-  Back  $\frac{5}{16}$ " * 20mm
-  Seat
-  Armrest  $\frac{1}{4}$ " * 40mm
-  Mechanism  $\frac{1}{4}$ " * 30mm
-  Gas Cylinder
-  Base
-  Caster
-  Spanner

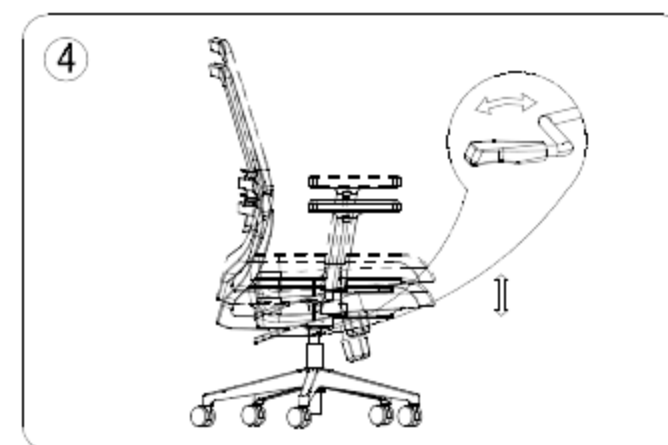
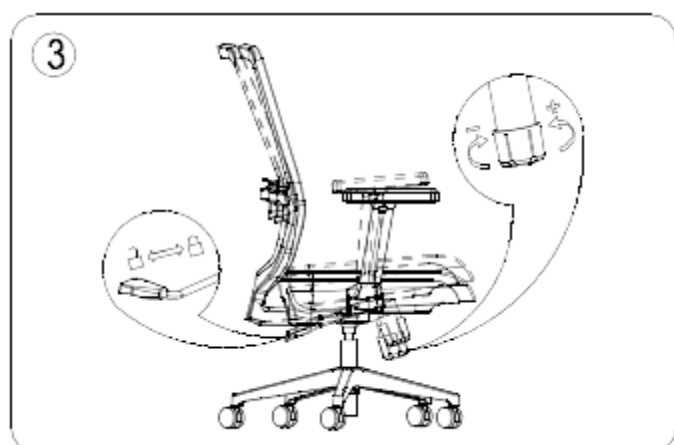
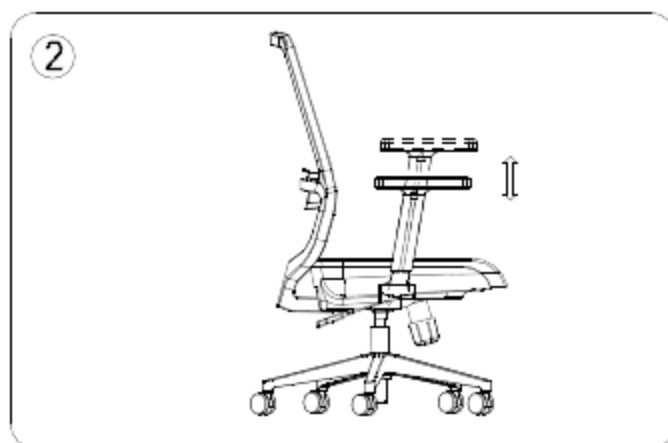
Essex Installation Instructions

Assembly Instruction



Essex Installation Instructions

Instruction of use



PREVENTIVE MAINTENANCE AND WARNING:

- DURING ASSEMBLY MAKE SURE TO TIGHTEN BOLTS COMPLETELY.
- DO NOT USE THE CHAIRS UNLESS ALL BOLTS AND SCREWS ARE FIXED TO BE SURE OF SAFETY, CHECK ALL THE BOLTS AND SCREWS EVERY SIX MONTHS.
- THIS PRODUCT ONLY FOR ONE PERSON TO SIT ON AT A TIME.
- DO NOT USE THE CHAIR AS A STEP STOOL OR LADDER.
- IF ANY PART IS BROKEN OR LOST, STOP USING IT UNTIL REPAIRS ARE MADE.
- FAILURE TO FOLLOW THESE WARNINGS MAY CAUSE SERIOUS INJURY.